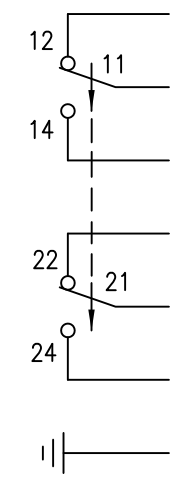


NOTICE
 THIS DRAWING IS THE PROPERTY OF QUALITROL COMPANY LLC AND IS LOANED ONLY ON THE CONDITION THAT IT WILL BE USED TO FACILITATE THE PURPOSE FOR WHICH INTENDED AND NOT BE REPRODUCED, COPIED OR OTHERWISE DISPOSED OF, AND IS NOT TO BE USED IN WHOLE OR PART FOR FURNISHING INFORMATION RELATIVE TO THE MAKING OF DRAWINGS, PARTS APPARATUS OR PARTS THEREOF, EXCEPT BY WRITTEN ORDER FROM QUALITROL COMPANY LLC.

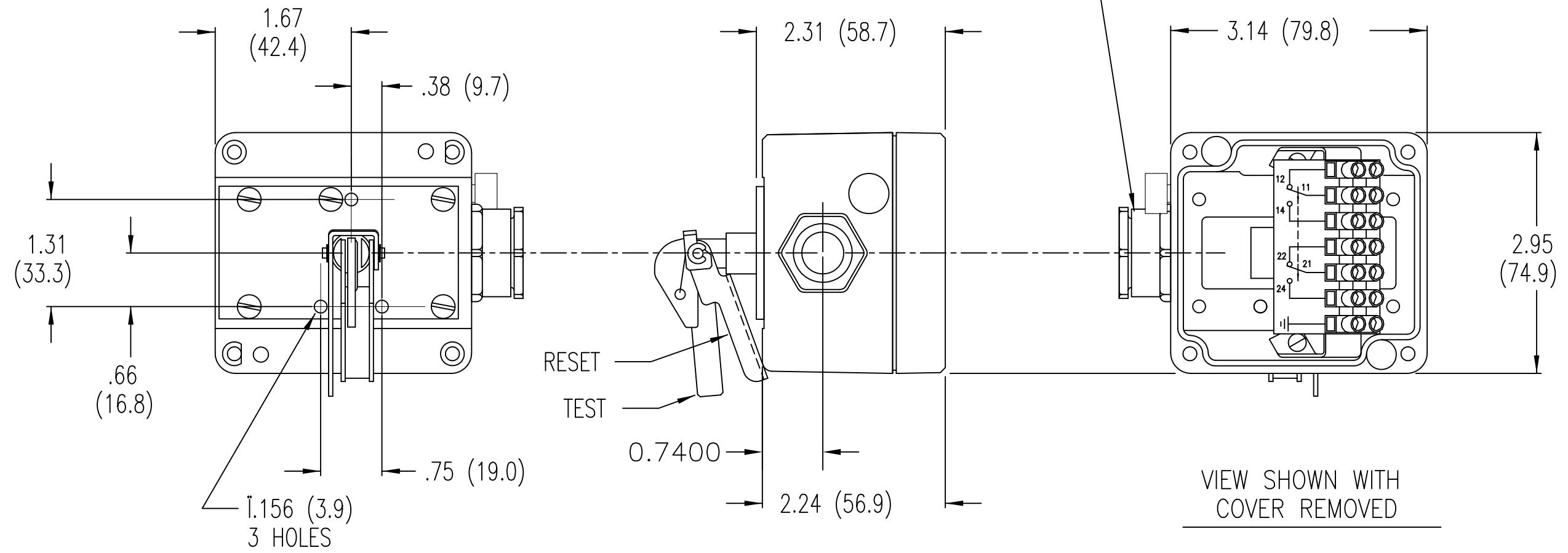
MODEL NO. **SWT-680-1**

NOTES:

1. WHEN ALARM SWITCH IS MOUNTED ON A PRESSURE RELIEF DEVICE, 11 AND 12, 21 AND 22 ARE CLOSED. 11 AND 14, 21 AND 24 ARE OPEN.
2. WHEN DEVICE OPERATES, 11 AND 12, 21 AND 22 OPEN. 11 AND 14, 21 AND 24 CLOSE.
3. 11 AND 12, 21 AND 22 WILL REMAIN OPEN, 11 AND 14, 21 AND 24 WILL REMAIN CLOSED UNTIL SWITCH RESET LEVER IS MANUALLY DEPRESSED.
4. SWITCH RATING: 10 A @ 125/250 VAC
 7 A (INDUCTIVE) @ 28 VDC
 10 A (RESISTIVE) @ 28 VDC
5. FOR MAXIMUM PRESSURE RELIEF DEVICE MOUNTING BOLT CLEARANCE, INSTALL SWITCH AFTER INSTALLING DEVICE.
6. EACH SWITCH ASSEMBLY IS SUPPLIED WITH:
 THREE SEALING SCREWS, NO. 6-32 UNC-2A X .50 (12.7) LONG.
7. INSULATION CLASS: 2,000 VAC, 50/60 Hz, 1 MIN.
8. ENCLOSURE IS FREE BREATHING AND CONFORMS TO THE REQUIREMENTS OF IP65. IT MUST BE INSTALLED AT THE 3 O'CLOCK POSITION (WITH THE CABLE ENTRY TOWARDS THE GROUND) ON VERTICALLY MOUNTED PRD'S.



WIRING DIAGRAM (7J02)



DIMENSIONS ARE IN INCHES (mm)

—	1-21-14	REPLACE ENC-021-1 W/ ENC-023-3, ADD VNT-013-1	32130
—	03-25-99	REVISED SWITCH RATING VALUES	20212
LET	DATE	ALTERATION	C.N.

QUALITROL[®]

DIMENSIONS AND TOLERANCES IN ACCORDANCE WITH ASME Y14.5M-1994

PH. (585) 586-1515
 FAX (585) 377-0220
 1385 FAIRPORT ROAD
 FAIRPORT, NY 14450
 FORM 0-473 REV. F 04/06/06

TITLE: ALARM SWITCH - DIRECT WIRING,
 2 POLE
 MODEL NO. **SWT-680-1**