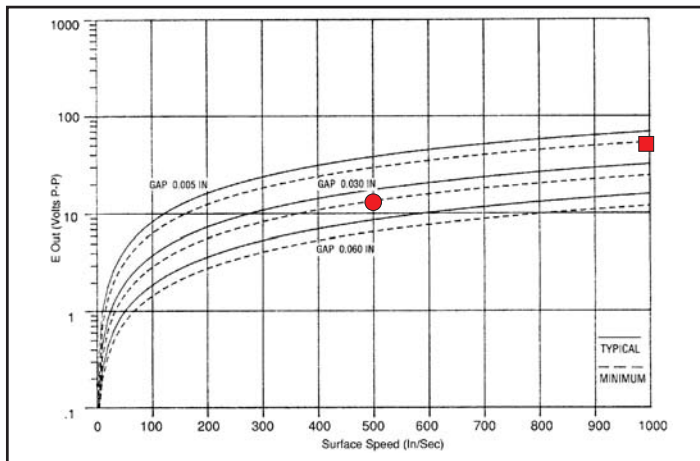


## UL/ATEX/CSA Sensors

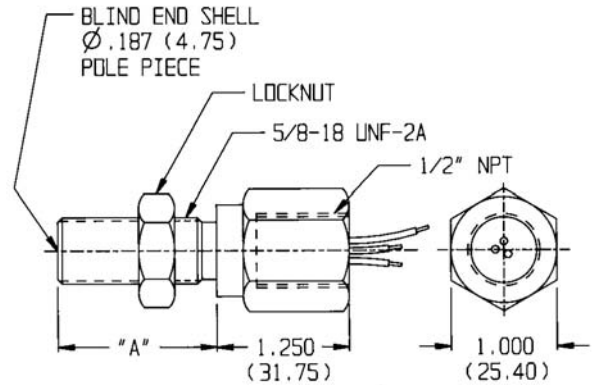
Ordering Part #	Thread Length (A)	
70085-1010-081	1.500	(38.10)
70085-1010-411	1.875	(47.63)
70085-1010-329	2.750	(69.85)
70085-1010-330	4.000	(101.60)
70085-1010-412	6.000	(152.40)

**Rating:** UL and CSA listed for hazardous locations. Class I, Div 1, Groups A, B, C & D; Class II, Div 1, Groups E, F, G. Temp Code T3C. ATEX Group II, Category 3G, Zone 2

### Performance Curves



Based on 8 D.P. Gear



### Specifications:

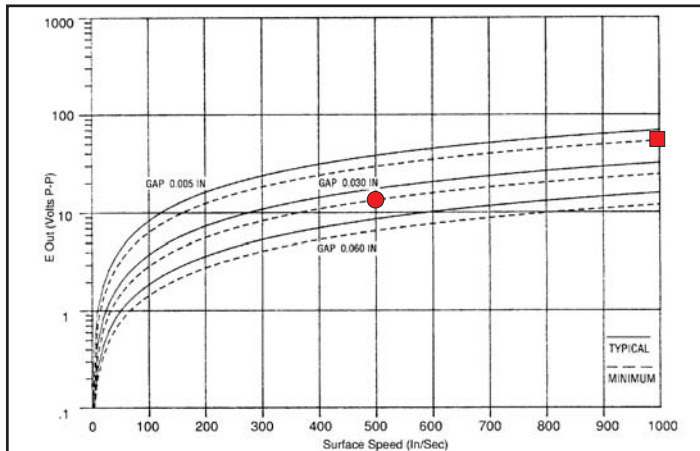
- Output Voltage (Standard): 54 V (P-P)
- Output Voltage (Guarantee Point): 13.4 V (P-P)
- DC Resistance: 240 ohms max.
- Typical Inductance: 30 mH ref.
- Output Polarity: White lead positive
- Operating Temperature: -65 to 100°C
- Lead Length: 10 ft (3.05 m)
- Housing Ground: Green/Yellow Tracer
- Net Weight: 14 oz. max.

## UL/ATEX/CSA Sensors

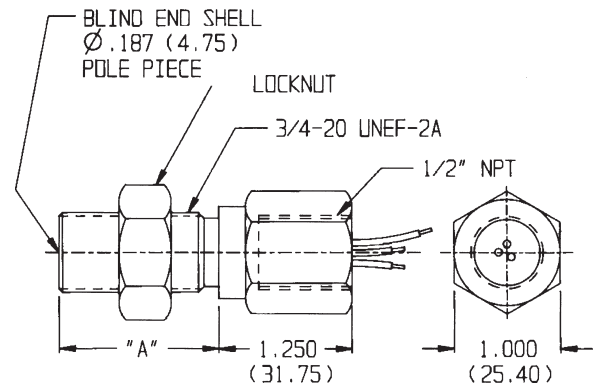
Ordering Part #	Thread Length (A)	
70085-1010-413	1.500	(38.10)
70085-1010-005	1.875	(47.63)
70085-1010-327	2.750	(69.85)
70085-1010-328	4.000	(101.60)
70085-1010-414	6.000	(152.40)

**Rating:** UL and CSA listed for hazardous locations. Class I, Div 1, Groups A, B, C & D; Class II, Div 1, Groups E, F, G. Temp Code T3C. ATEX Group II, Category 3G, Zone 2

### Performance Curves



Based on 8 D.P. Gear



### Specifications:

- Output Voltage (Standard): 54 V (P-P)
- Output Voltage (Guarantee Point): 13.4 V (P-P)
- DC Resistance: 240 ohms max.
- Typical Inductance: 30 mH ref.
- Output Polarity: White lead positive
- Operating Temperature: -65 to +100°C
- Lead Length: 10 ft (3.05 m)
- Housing Ground: Green/Yellow Tracer
- Net Weight: 14 oz. max.

**Dimensions in inches and (mm).**