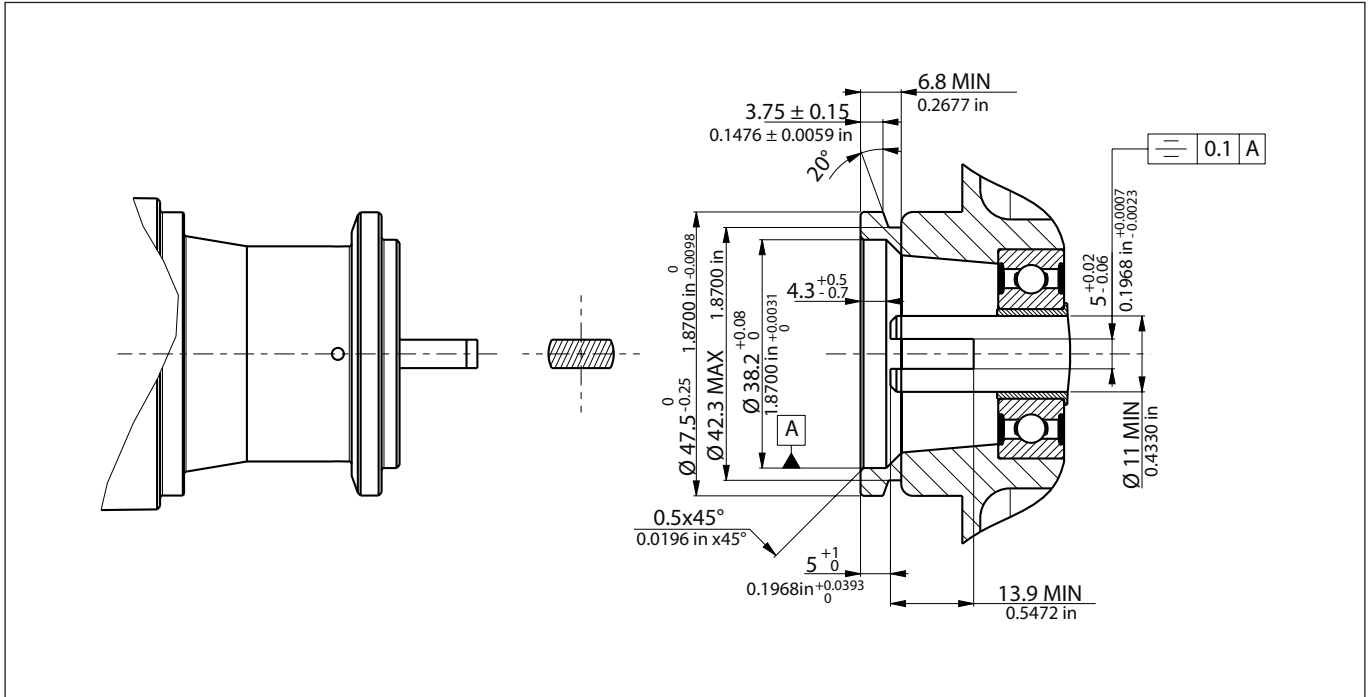


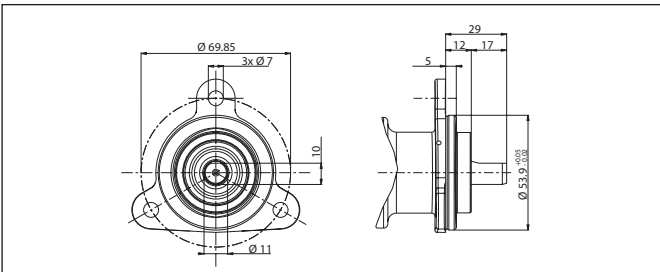
Rotary vane pumps

Optional mountings

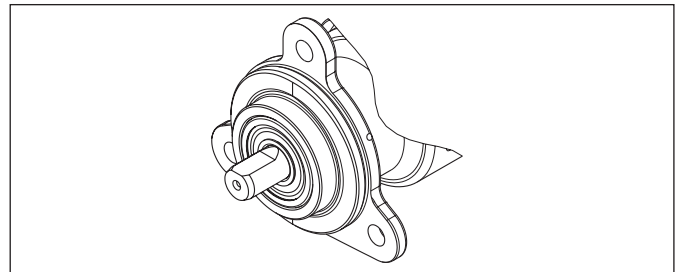


Notes: The drawing illustrates the minimum dimensional requirement of the motor in order to grant the proper alignment between pump and motor.
Tool AT-190_1 is available upon request to verify the compliance with the motor to the above requirements.
Misalignment between motor and pump shaft might cause excessive noise at first and damage to pump and/or motor afterwards with possible leakages of liquid and subsequent blockage of the unit.

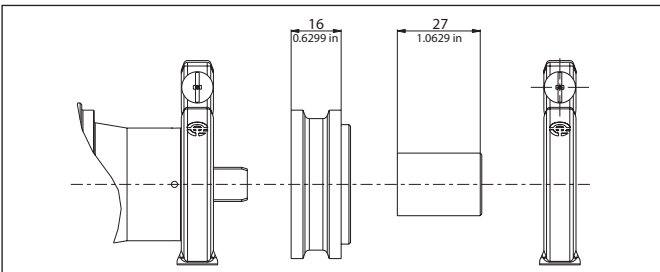
PO SERIES



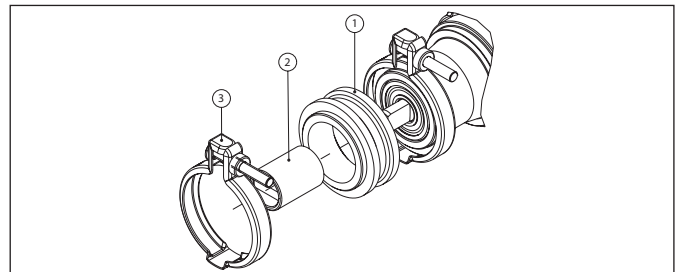
FLANGE MOUNTING



PO/MO/IG SERIES

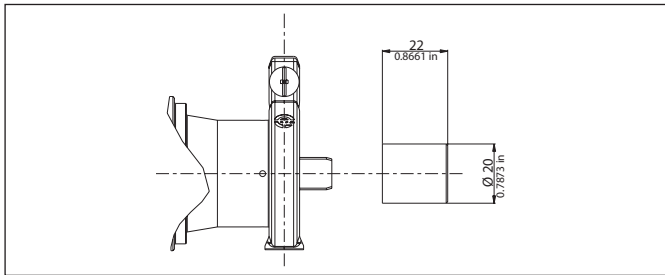


KIT 48YZ

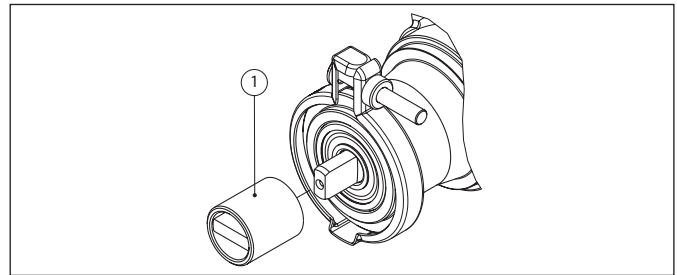


POS	DESCRIPTION	MATERIAL	CODE	QUANTITY
1	SPACER 48 YZ	PLASTIC	92-01-04	1
	HIGH TEMPERATURE SPACER 48 YZ	PLASTIC	92-01-05	1
2	CROSS COUPLING MALE/FEMALE	PLASTIC	91-03-06	1
	HEAVY DUTY CROSS COUPLING MALE/FEMALE	PLASTIC	91-03-10	1
3	CLAMP	S.S.	94-80-01	1

PO/MO SERIES

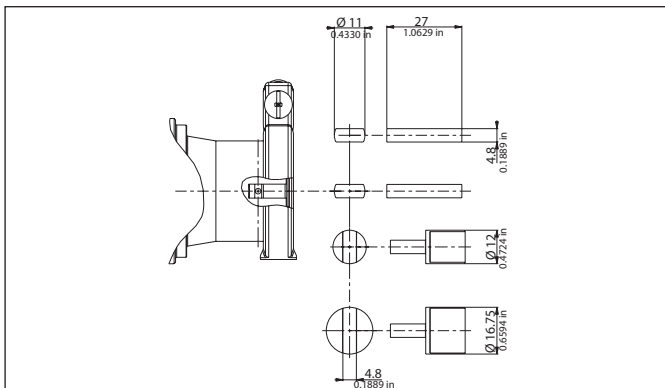


DUMPER COUPLING FOR RPM MOTORS

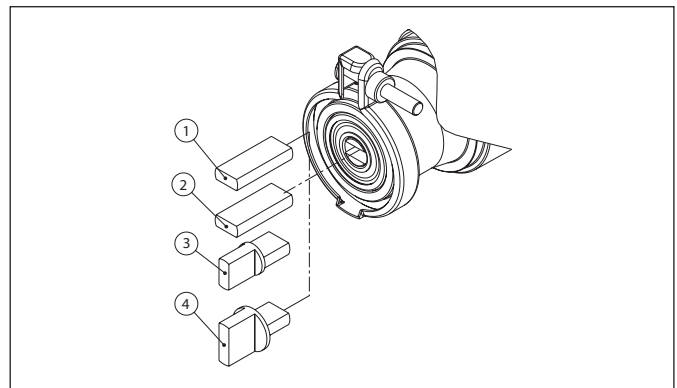


POS	DESCRIPTION	MATERIAL	CODE	QUANTITY
1	COUPLING MALE/FEMALE	PLASTIC	91-03-05	1

PO/MO SERIES

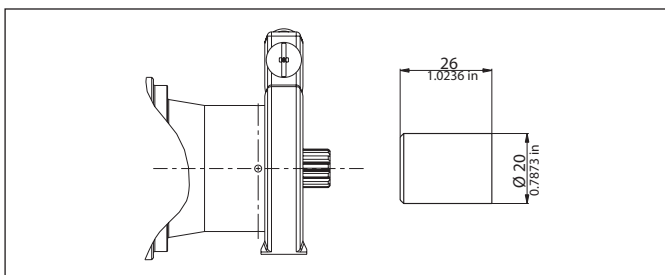


FEMALE SHAFT WITH COUPLING

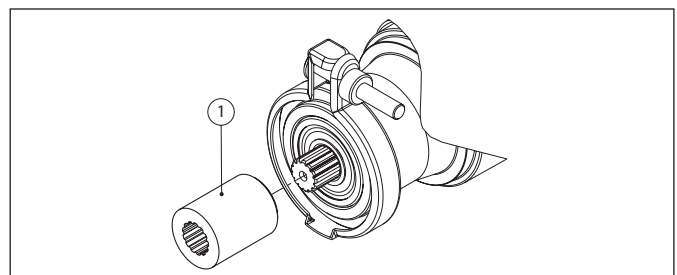


POS	DESCRIPTION	MATERIAL	CODE	QUANTITY
1	FLAT COUPLING	PLASTIC	91-03-01	1
2	FLAT COUPLING	BRASS	91-03-02	1
3	CROSS COUPLING	BRASS	91-03-04	1
4	CROSS COUPLING	BRASS	91-03-03	1

PO SERIES



SPLINED SHAFT WITH COUPLING



POS	DESCRIPTION	MATERIAL	CODE	QUANTITY
1	SPLINED COUPLING	PLASTIC	91-03-08	1

Fluid-o-Tech reserves the right to alter the specifications indicated in this catalogue at any time and without prior notice.

Fluid-o-Tech srl
Via Leonardo da Vinci, 40
20094 Corsico, Milano, Italy
Tel. +39 02 9995 01
Fax +39 02 9995 0999
info@fluidotech.it

Fluid-o-Tech Int'l Inc.
161 Atwater St.,
06479 Plantsville CT (USA)
Tel. +1 (860) 276 9270
Fax +1 (860) 620 0193
info@fluid-o-tech.com

Fluid-o-Tech Int'l Inc. Japan
203, 2-17-19, Ebara, Shinagawa
Tokyo 142-0063, Japan
Tel. +81 (0) (3) 3783 9660
Fax +81 (0) (3) 3783 9661
k.kato@fluidotech.com

Fluid-o-Tech Asia (Beijing) Co., Ltd
Jingwei Industrial Zone,
Beifang Huairou, Beijing, 101400, PRC
Tel. +86 (0) (10) 6168 4650
Fax +86 (0) (10) 6168 4651
info@fluidotech-asia.com