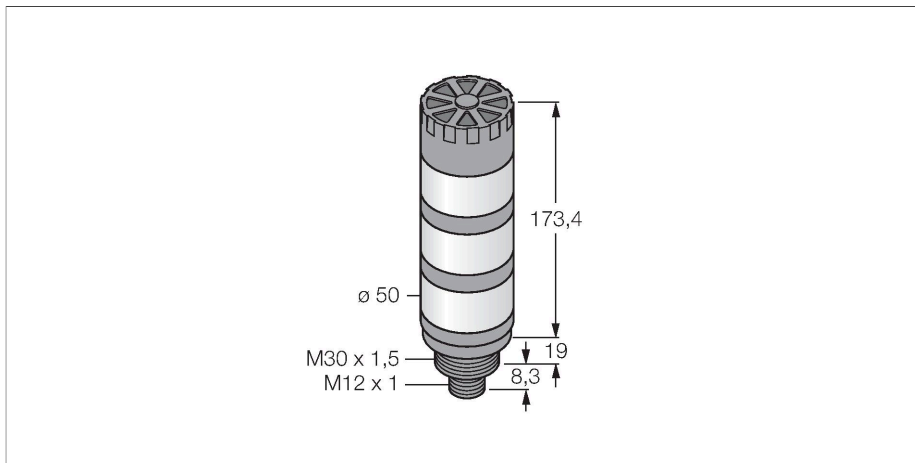


# TL50RBGALSCQ

## LED Indicator – Tower Light



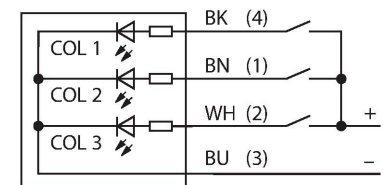
### Technical data

Type	TL50RBGALSCQ
ID	3054675
<b>Signal and display data</b>	
Purpose	LED indicator light
Function	Tower light
Light type	Red Blue Green
Dimmable	no
Features of color 1	Red, Permanently on, 7.5 lm
Features of color 2	Blue, Permanently on, 4.5 lm
Features of color 3	Green, Permanently on, 23 lm
acoustic signal	Continuous tone, 94 dB
<b>Electrical data</b>	
Operating voltage	18...30 VDC
DC rated operational current	≤ 45 mA
Operating voltage	21...27 VAC
Max. current consumption per color	45 mA
Max. current consumption of beeper	35 mA
Input type	Bipolar (PNP/NPN)
Response time typical	< 10 ms
<b>Mechanical data</b>	
Cascadable	No
Design	Smooth barrel, TL50
Dimensions	Ø 50 x 223.9 x 223.9 mm
Housing material	Plastic, ABS, Grey
Window material	Polycarbonate, diffuse

### Features

- Plastic housing, black
- EMI and RFI immune
- Protection class IP50
- M12 x 1 male
- Multicolor: Red (COL 1) / Blue (COL 2) / Green (COL 3)
- Operating voltage: 18...30 VDC or 24 VAC with 45 mA per LED color
- Inputs: PNP/NPN
- Beeper: Sealed, continuous tone max. 94 dB

### Wiring diagram



### Functional principle

The TL50 tower lights provide highly visible status indicators and a clear user guidance within the entire system. They can be assembled from varicolored LEDs and are available with or without beeper. You can mount them directly on machines, in the cabinet or in monitoring locations of production lines.

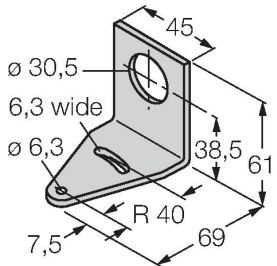
The wiring diagram shows a PNP pin assignment. There are 10 colors available blue (B), green (G), red (R), yellow (Y), white (W), turquoise (T), orange (O), violet (V), sky blue (S) and magenta (M), which specify the light sequence from bottom to top in the type code of the tower light. Example: TL50GYRQ, colors green, yellow and red arranged from bottom to top.

## Technical data

Electrical connection	Connector, M12 × 1, PVC
Number of cores	5
Ambient temperature	-20...+50 °C
Relative humidity	0...95 %
Protection class	IP67
<b>Tests/approvals</b>	
Approvals	CE, UL listed

## Accessories

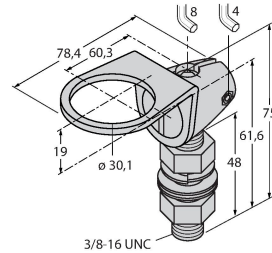
<b>SMB30A</b>	<b>3032723</b>
---------------	----------------



Mounting bracket, rectangular, stainless steel, for sensors with 30mm thread

Dimensions: 45, 6.3 wide, 38.5, 61, 69, 7.5, R 40, 30.5, 6.3, 6.3

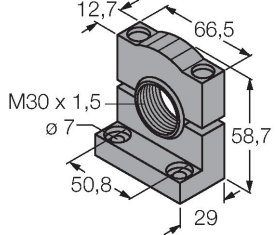
<b>SMB30FA</b>	<b>3074005</b>
----------------	----------------



Montagewinkel; Werkstoff VA 1.4401

Dimensions: 78.4, 60.3, 8, 4, 75, 61.6, 48, 19, 30.1, 3/8-16 UNC


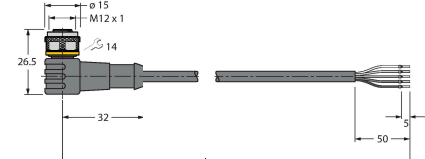
<b>SMB30SC</b>	<b>3052521</b>
----------------	----------------



Mounting bracket, PBT black, for sensors with 30 mm thread, rotatable

Dimensions: 12.7, 66.5, 58.7, 29, 50.8, 7, M30 x 1.5

## Accessories

Dimension drawing	Type	ID	
	RKC4.5T-2/TEL	6625016	Connection cable, female M12, straight, 5-pin, cable length: 2 m, sheath material: PVC, black; cULus approval; other cable lengths and qualities available, see <a href="http://www.turck.com">www.turck.com</a>
	WKC4.5T-2/TEL	6625028	Connection cable, female M12, angled, 5-pin, cable length: 2 m, sheath material: PVC, black; cULus approval; other cable lengths and qualities available, see <a href="http://www.turck.com">www.turck.com</a>