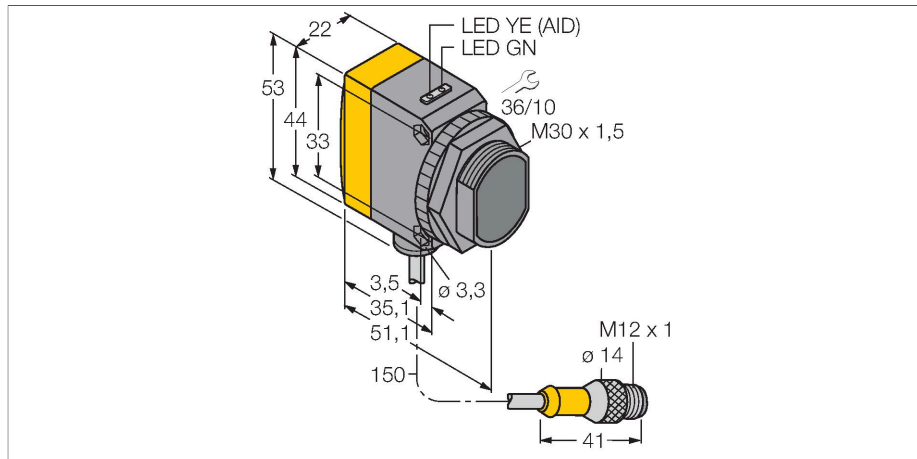


QS30AF600Q5

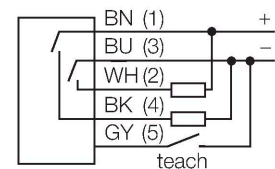
Photoelectric Sensor – Diffuse Mode Sensor with Adjustable Background Suppression



Features

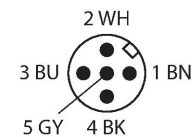
- Male M12 × 1, 5-pin
- Protection class IP67
- LED all-round visible
- Sensitivity adjusted via potentiometer
- Operating voltage: 10...30 VDC
- Switching output, bipolar
- Light or dark operation

Wiring diagram



Technical data

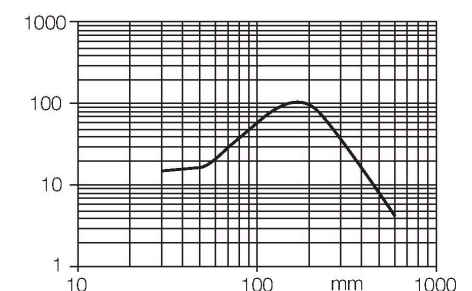
Type	QS30AF600Q5
ID	3011981
Optical data	
Function	Proximity switch
Operating mode	Background suppression, adjustable
Light type	Red
Wavelength	660 nm
Range	50...600 mm
Electrical data	
Operating voltage	10...30 VDC
Residual ripple	< 10 % U _{ss}
DC rated operational current	≤ 150 mA
No-load current	≤ 45 mA
Short-circuit protection	yes
Reverse polarity protection	yes
Output function	NO contact, PNP/NPN
Switching frequency	≤ 500 Hz
Readiness delay	≤ 200 ms
Response time typical	< 5 ms
Setting option	Mechanical Screw
Mechanical data	
Design	Rectangular with thread, QS30
Dimensions	Ø 30 x 54.3 x 22 x 57 mm
Housing material	Plastic, Thermoplastic material, Yellow
Lens	plastic, Acrylic



Functional principle

Diffuse mode sensors with background suppression operate with a single emitter and several receiver elements. The target's position and the optical structure of the sensor determine which receiver element gets the most light. The sensor electronics then determine whether the reflecting target is in or outside the measuring range. The sensors are available with adjustable or fixed cut-off point.

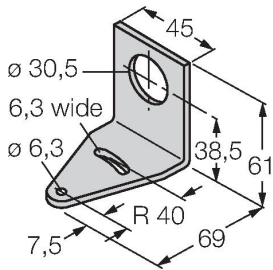
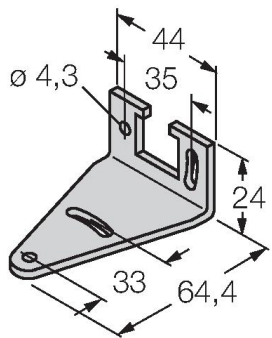
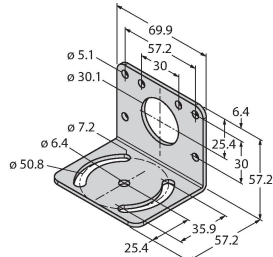
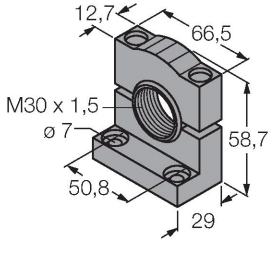
Excess gain curve
Excess gain in relation to distance



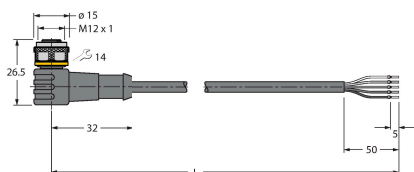
Technical data

Electrical connection	Cable with connector, M12 × 1, 0.15 m, PVC
Number of cores	5
Ambient temperature	-20...+60 °C
Protection class	IP67
Special features	keep/defer
Power-on indication	LED, Green
Switching state	LED, Yellow
Error indication	LED, green, Flashing
Excess gain indication	LED, red, flashing
Tests/approvals	
Approvals	CE

Accessories

SMB30A 	3032723 Mounting bracket, rectangular, stainless steel, for sensors with 30mm thread	SMBQS30L 	3002809 Mounting bracket, stainless steel, for QS30 series
SMB30MM 	3027162 Mounting bracket, rectangular, stainless steel, for sensors with 30 mm thread, wide holes for accurate alignment	SMB30SC 	3052521 Mounting bracket, PBT black, for sensors with 30 mm thread, rotatable

Accessories

Dimension drawing 	Type WKC4.5T-2/TEL	ID 6625028	Connection cable, female M12, angled, 5-pin, cable length: 2 m, sheath material: PVC, black; cULus approval; other cable lengths and qualities available, see www.turck.com
---	------------------------------	----------------------	--

Dimension drawing	Type	ID	
	RKC4.5T-2/TEL	6625016	Connection cable, female M12, straight, 5-pin, cable length: 2 m, sheath material: PVC, black; cULus approval; other cable lengths and qualities available, see www.turck.com

