

Blanking plugs

SPECIFICATION

Types

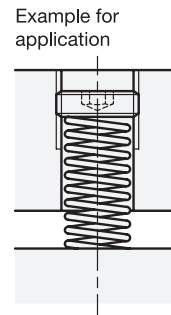
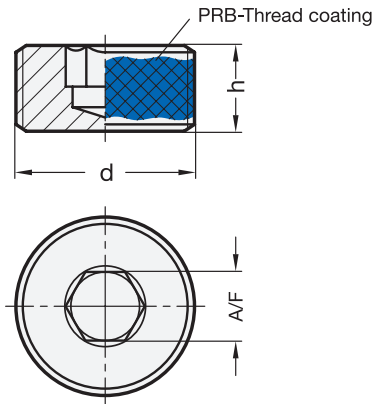
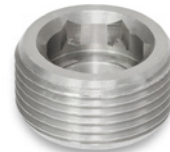
- Type **A**: without thread coating
- Type **PRB**: with thread coating (polyamide allround coating)

Steel

- Tensile strength class 5.8
- blackened

INFORMATION

The thread locking PRB (polyamide allround coating) is a clamping lock which prevents the locking screw from being inadvertently being loosened and becoming detached.



Stainless Steel-Blanking plugs

SPECIFICATION

Types

- Type **A**: without thread coating
- Type **PRB**: with thread coating (polyamide allround coating)

Stainless Steel AISI 303

INFORMATION

The thread locking PRB (polyamide allround coating) is a clamping lock which prevents the locking screw from being inadvertently being loosened and becoming detached.

TECHNICAL INFORMATION

- Stainless Steel characteristics (see page A26)

GN 252

| Description | d | h | A/F | ΔΔ |
|--------------------|------------|----|-----|----|
| GN 252-M12x1,5-A | M 12 x 1,5 | 10 | 6 | 6 |
| GN 252-M16x1,5-A | M 16 x 1,5 | 10 | 8 | 14 |
| GN 252-M20x1,5-A | M 20 x 1,5 | 12 | 10 | 20 |
| GN 252-M24x1,5-A | M 24 x 1,5 | 12 | 14 | 24 |
| GN 252-M27x1,5-A | M 27 x 1,5 | 12 | 14 | 36 |
| GN 252-M30x1,5-A | M 30 x 1,5 | 12 | 17 | 44 |
| GN 252-M33x1,5-A | M 33 x 1,5 | 12 | 17 | 56 |
| GN 252-M12x1,5-PRB | M 12 x 1,5 | 10 | 6 | 6 |
| GN 252-M16x1,5-PRB | M 16 x 1,5 | 10 | 8 | 10 |
| GN 252-M20x1,5-PRB | M 20 x 1,5 | 12 | 10 | 20 |
| GN 252-M24x1,5-PRB | M 24 x 1,5 | 12 | 14 | 24 |
| GN 252-M27x1,5-PRB | M 27 x 1,5 | 12 | 14 | 36 |
| GN 252-M30x1,5-PRB | M 30 x 1,5 | 12 | 17 | 44 |
| GN 252-M33x1,5-PRB | M 33 x 1,5 | 12 | 17 | 56 |

GN 252.5

STAINLESS STEEL

| Description | d | h | A/F | ΔΔ |
|----------------------|---------|----|-----|----|
| GN 252.5-M12x1,5-A | M12x1,5 | 10 | 6 | 5 |
| GN 252.5-M16x1,5-A | M16x1,5 | 10 | 8 | 10 |
| GN 252.5-M20x1,5-A | M20x1,5 | 12 | 10 | 20 |
| GN 252.5-M24x1,5-A | M24x1,5 | 12 | 14 | 26 |
| GN 252.5-M27x1,5-A | M27x1,5 | 12 | 14 | 26 |
| GN 252.5-M12x1,5-PRB | M12x1,5 | 10 | 6 | 6 |
| GN 252.5-M16x1,5-PRB | M16x1,5 | 10 | 8 | 10 |
| GN 252.5-M20x1,5-PRB | M20x1,5 | 12 | 10 | 26 |
| GN 252.5-M24x1,5-PRB | M24x1,5 | 12 | 14 | 30 |
| GN 252.5-M27x1,5-PRB | M27x1,5 | 12 | 14 | 36 |

