

Datasheet

Preassembled Indicators for Signaling Applications



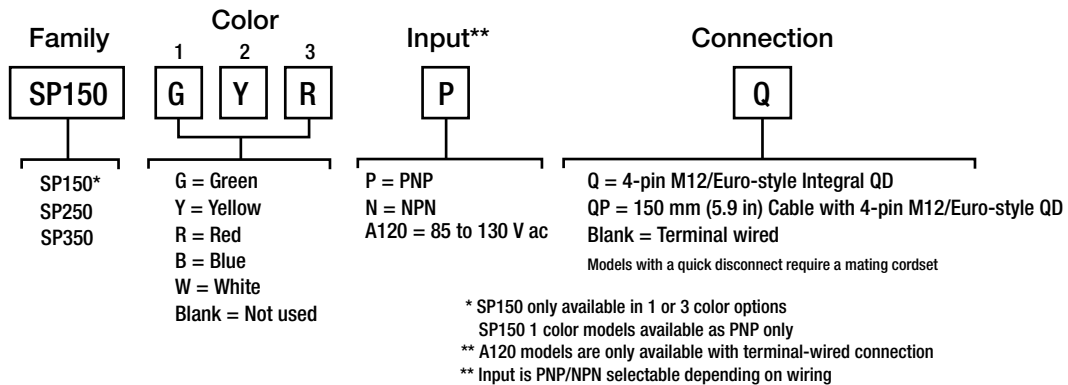
- Intense levels of light output for outdoor applications
- Controlled field of view for signage and narrow lane use
- Rugged, cost-effective and easy-to-install
- Compact devices are completely self-contained — no controller needed
- Immune to EMI and RFI interface
- NPN or PNP input, and 15 V dc to 30 V dc or 85 V ac to 130 V ac operation, depending on model
- One, two, or three indicators
- Sun shield included



WARNING: Not To Be Used for Personnel Protection

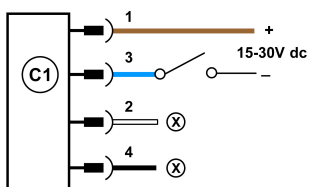
Never use this device as a sensing device for personnel protection. Doing so could lead to serious injury or death. This device does not include the self-checking redundant circuitry necessary to allow its use in personnel safety applications. A sensor failure or malfunction can cause either an energized or de-energized sensor output condition.

Models

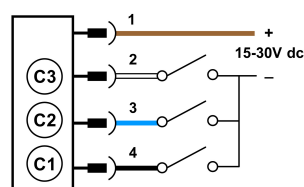


Wiring Diagrams — NPN QD Models

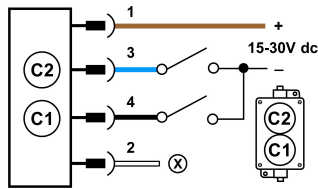
SP150XNQ (1-Color Models)



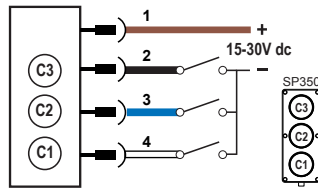
SP150XXXNQ (3-Color Models)



SP250XXNQ (2-Color Models)



SP350XXXNQ (3-Color Models)



Wiring Key:

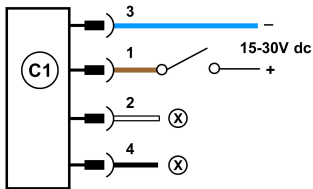
- 1 = Brown
- 2 = White
- 3 = Blue
- 4 = Black

(X) indicates Not Used

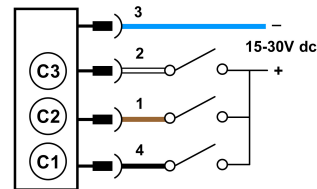
- C1 = Color 1
- C2 = Color 2
- C3 = Color 3

Wiring Diagrams — PNP QD Models

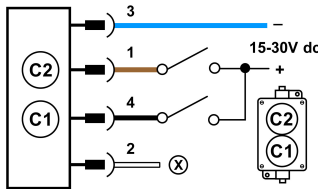
SP150XPQ (1-Color Models)



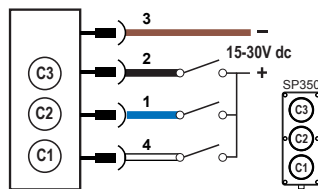
SP150XXXPQ (3-Color Models)



SP250XXPQ (2-Color Models)



SP350XXXPQ (3-Color Models)



Wiring Key:

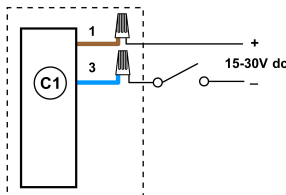
- 1 = Brown
- 2 = White
- 3 = Blue
- 4 = Black

(X) indicates Not Used

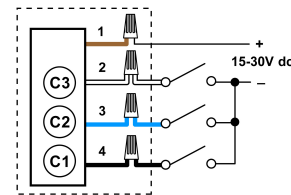
- C1 = Color 1
- C2 = Color 2
- C3 = Color 3

Wiring Diagrams — NPN Terminal-Wired Models

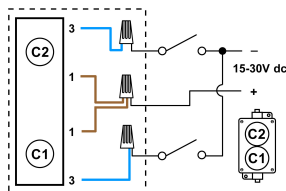
SP150XN (1-Color Models)



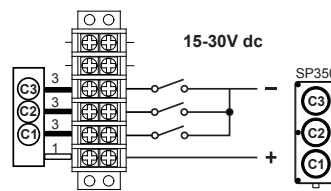
SP150XXXN (3-Color Models)



SP250XN (2-Color Models)



SP350XXXN (3-Color Models)



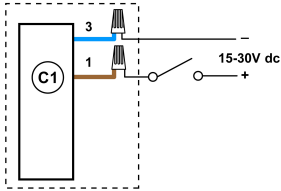
Wiring Key:

- 1 = Brown
- 2 = White
- 3 = Blue
- 4 = Black

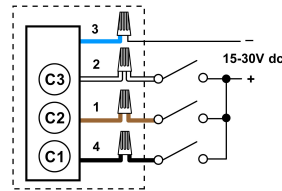
- C1 = Color 1
- C2 = Color 2
- C3 = Color 3

Wiring Diagrams — PNP Terminal-Wired Models

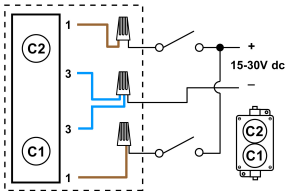
SP150XP (1-Color Models)



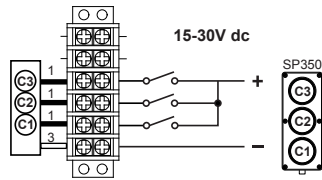
SP150XXP (3-Color Models)



SP250XXP (2-Color Models)



SP350XXP (3-Color Models)



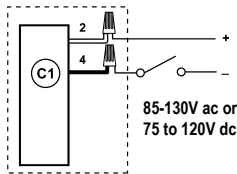
Wiring Key:

- 1 = Brown
- 2 = White
- 3 = Blue
- 4 = Black

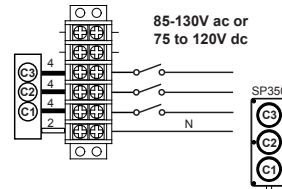
- C1 = Color 1
- C2 = Color 2
- C3 = Color 3

Wiring Diagrams — AC Models

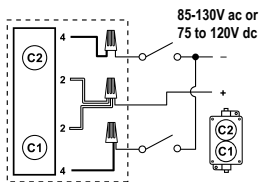
SP150XA120 (1-Color Models)



SP350XXA120 (3-Color Models)



SP250XXA120 (2-Color Models)



Wiring Key:

- 2 = White
- 4 = Black

- C1 = Color 1
- C2 = Color 2
- C3 = Color 3
- N = Neutral

Specifications

Supply Voltage and Current

SP150 DC Models

- 1-Color: 15 V dc to 30 V dc at 120 mA max. per LED color
- 3-Color: 15 V dc to 30 V dc at 40 mA max. per LED color



Note: SP150 3-color available as DC model only

SP250/SP350 DC Models

- 15 V to 30 V dc at 120 mA maximum per LED color

SP150/SP250/SP350 AC Models

- 85 V ac to 130 V ac or 75 V dc to 120 V dc at 16 mA maximum per LED color

Indicators

LED colors are independently selected, depending on model

Indicator Response Time

Indicator ON/OFF: 10 ms maximum

Indicator Characteristics

Color	Dominant Wavelength (nm) or Color Temperature (CCT)	Lumen Output (Typical at 25 °C)	
		SP150 (1-color), SP250 and SP350 Models	SP150 (3-color) Model
Green	520-535 nm	57.0	21.0
Red	618-630 nm	20.0	7.0
Yellow	584-594 nm	14.0	6.0
Blue	465-480 nm	12.0	4.5
White	4600-16000K	20.0	13.0

Certifications



Construction

Polycarbonate

Environmental Rating

Fully encapsulated. Terminal-wired models must have cover screws tightened and use watertight compression fitting to meet environmental ratings.

Electronics: IEC IP67
 SP150 Enclosure: IEC IP67
 SP250 Enclosure: IEC IP65
 SP350 Enclosure: IEC IP65

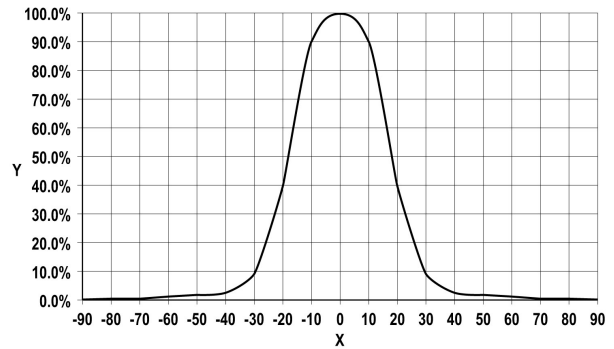
Operating Conditions

-40 °C to +50 °C (-40 °F to +122 °F)

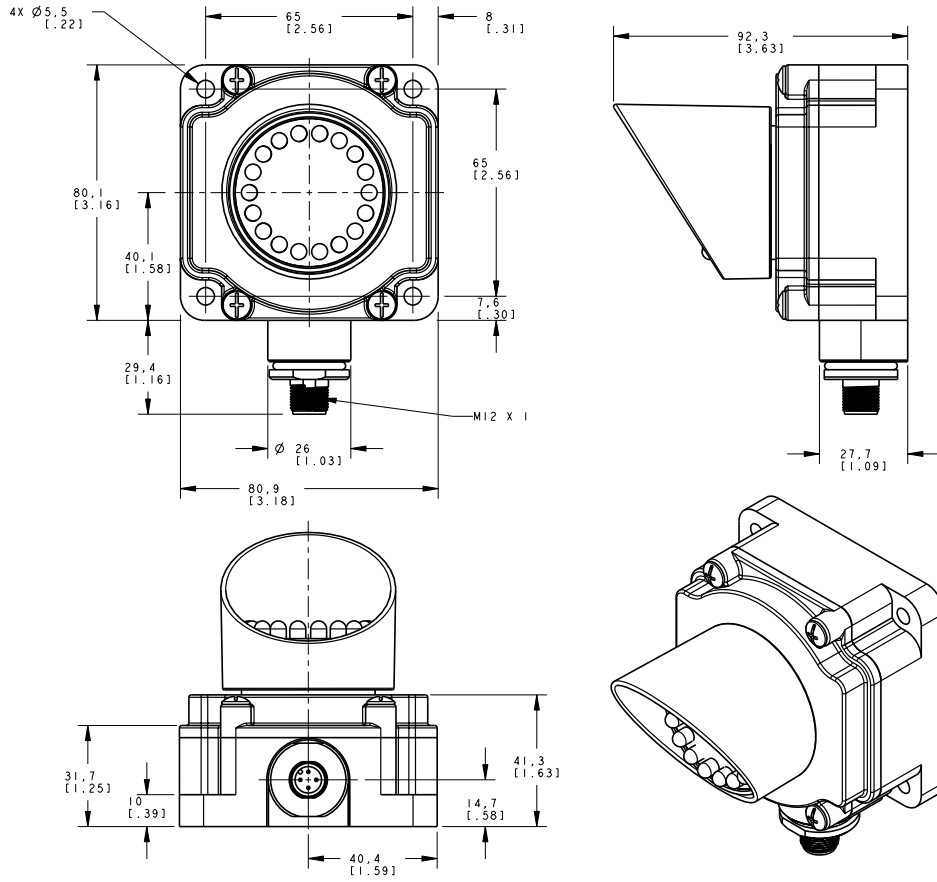
Percent of Maximum Intensity vs Viewing Angle

X: Viewing Angle (Degree)

Y: Intensity (Percent)



Dimensions — SP150 Models

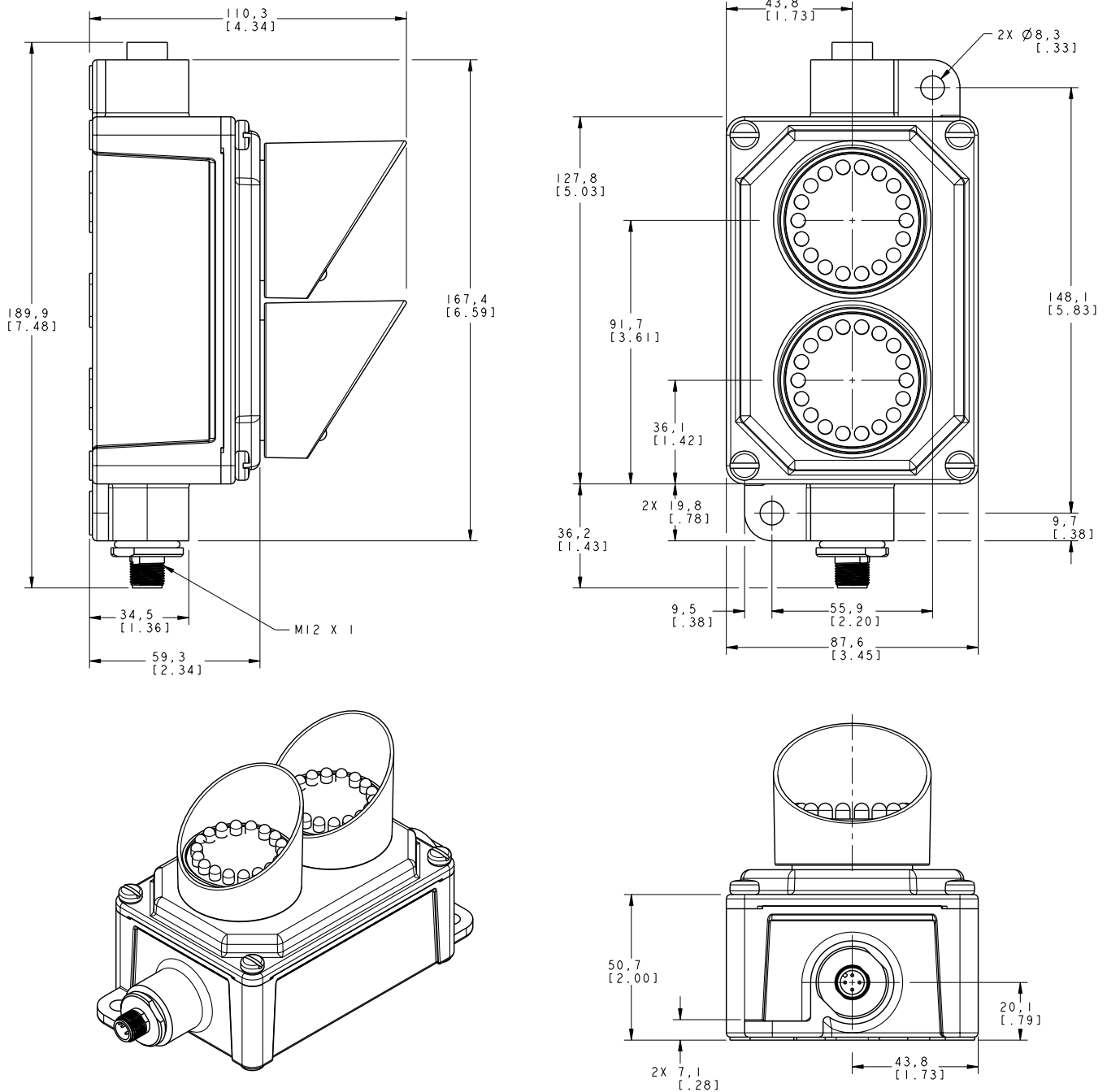


All measurements are listed in millimeters [inches], unless noted otherwise.



Note: Terminal-wired models have ½ inch NPT port in place of M12/Euro-style connector.

Dimensions — SP250 Models

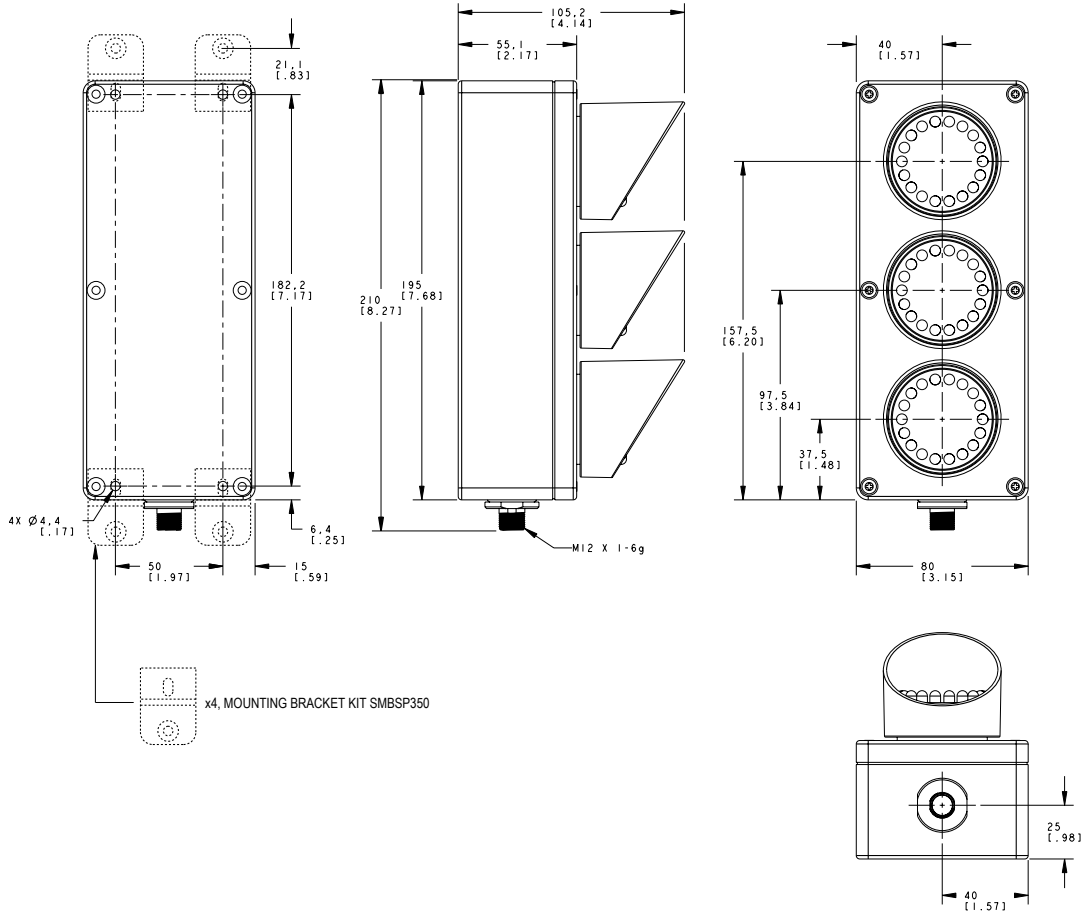


All measurements are listed in millimeters [inches], unless noted otherwise.



Note: Terminal-wired models have ½ inch NPT port in place of M12/Euro-style connector.

Dimensions — SP350 Models



All measurements are listed in millimeters [inches], unless noted otherwise.

Note: Terminal-wired models have access hole for ½ inch conduit fitting in place of M12/Euro-style connector. Mounting kit SMBSP350 included.

Accessories

Brackets

Model			Features	Components
Polished 304 Stainless Steel	Black Anodized Aluminum	Clear Anodized Aluminum	<ul style="list-style-type: none"> Elevated-use stand-off pipe (½ in. NPSM/DN15) Polished 304 stainless steel, black anodized aluminum, or clear anodized aluminum surface ½ in. NPT thread at both ends Compatible with most industrial environments 	
SOP-E12-150SS 150 mm (6 in) long	SOP-E12-150A 150 mm (6 in) long	SOP-E12-150AC 150 mm (6 in) long		
SOP-E12-300SS 300 mm (12 in) long	SOP-E12-300A 300 mm (12 in) long	SOP-E12-300AC 300 mm (12 in) long		
SOP-E12-900SS 900 mm (36 in) long	SOP-E12-900A 900 mm (36 in) long	SOP-E12-900AC 900 mm (36 in) long		
SA-E12M30 - Black Acetal			<ul style="list-style-type: none"> Streamlined black acetal or white UHMW mounting base adapter/cover Connects between ½ in. NPSM/DN15 pipe and 30 mm (1-3/16 in) drilled hole Mounting hardware included 	
SA-E12M30C - White UHMW				

Banner Engineering Corp. Limited Warranty

Banner Engineering Corp. warrants its products to be free from defects in material and workmanship for one year following the date of shipment. Banner Engineering Corp. will repair or replace, free of charge, any product of its manufacture which, at the time it is returned to the factory, is found to have been defective during the warranty period. This warranty does not cover damage or liability for misuse, abuse, or the improper application or installation of the Banner product.

THIS LIMITED WARRANTY IS EXCLUSIVE AND IN LIEU OF ALL OTHER WARRANTIES WHETHER EXPRESS OR IMPLIED (INCLUDING, WITHOUT LIMITATION, ANY WARRANTY OF MERCHANTABILITY OR FITNESS FOR A PARTICULAR PURPOSE), AND WHETHER ARISING UNDER COURSE OF PERFORMANCE, COURSE OF DEALING OR TRADE USAGE.

This Warranty is exclusive and limited to repair or, at the discretion of Banner Engineering Corp., replacement. **IN NO EVENT SHALL BANNER ENGINEERING CORP. BE LIABLE TO BUYER OR ANY OTHER PERSON OR ENTITY FOR ANY EXTRA COSTS, EXPENSES, LOSSES, LOSS OF PROFITS, OR ANY INCIDENTAL, CONSEQUENTIAL OR SPECIAL DAMAGES RESULTING FROM ANY PRODUCT DEFECT OR FROM THE USE OR INABILITY TO USE THE PRODUCT, WHETHER ARISING IN CONTRACT OR WARRANTY, STATUTE, TORT, STRICT LIABILITY, NEGLIGENCE, OR OTHERWISE.**

Banner Engineering Corp. reserves the right to change, modify or improve the design of the product without assuming any obligations or liabilities relating to any product previously manufactured by Banner Engineering Corp. Any misuse, abuse, or improper application or installation of this product or use of the product for personal protection applications when the product is identified as not intended for such purposes will void the product warranty. Any modifications to this product without prior express approval by Banner Engineering Corp will void the product warranties. All specifications published in this document are subject to change; Banner reserves the right to modify product specifications or update documentation at any time. Specifications and product information in English supersede that which is provided in any other language. For the most recent version of any documentation, refer to: www.bannerengineering.com.

For patent information, see www.bannerengineering.com/patents.