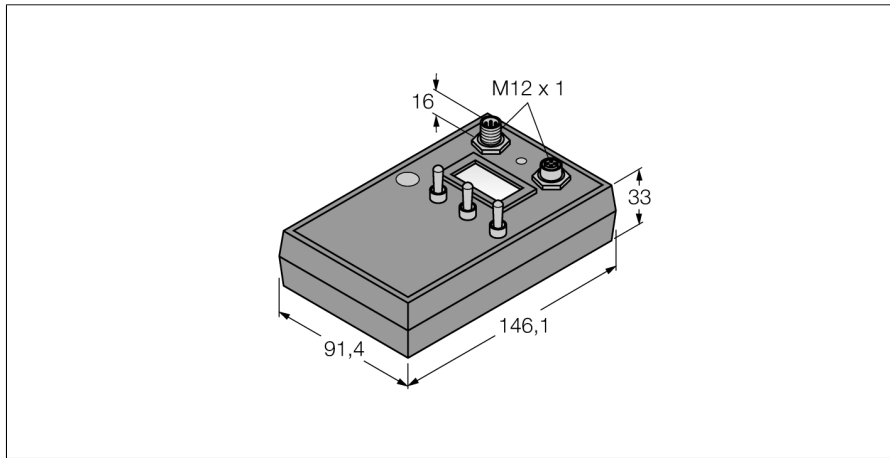
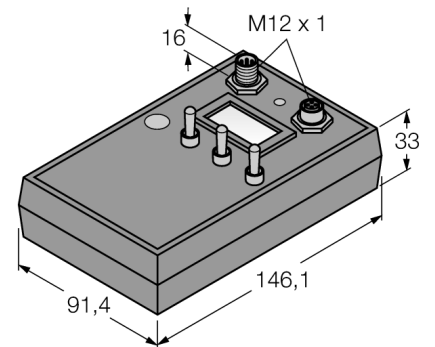


TB3LIU



- Test and programming device
- This is used for sensor set-up and testing. The measuring range of the standard version can be programmed with this device. Further information on its functionality is contained in the instruction manual of the device.



Type designation	TB3LIU
Ident-No.	6900298
Ident-No (TUSA)	M6900298
Dimensions	146.1 x 91.4 x 49 mm