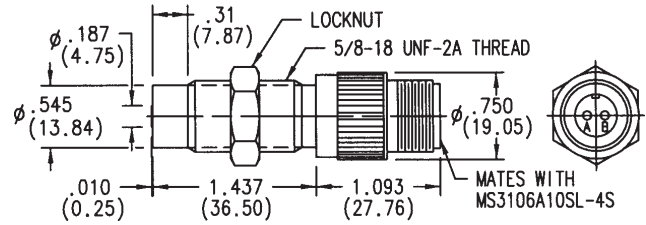
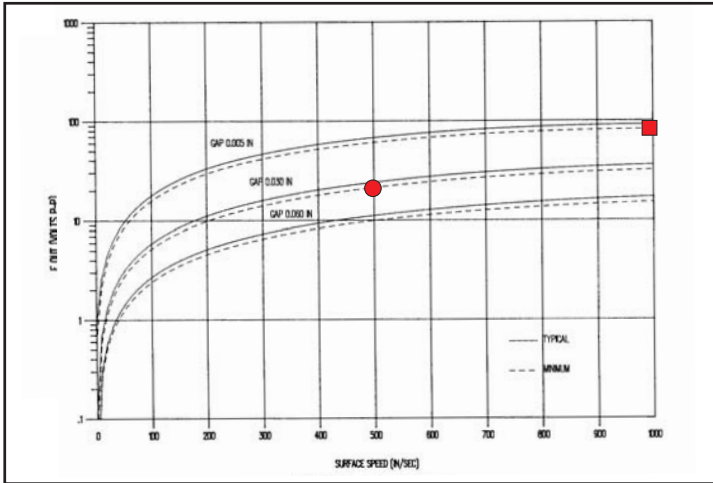


Power Output

Ordering Part # **Thread Length (A)**
 70085-1010-028 1.437 (36.50)
 (Select cable from group "A", see index)



Performance Curves



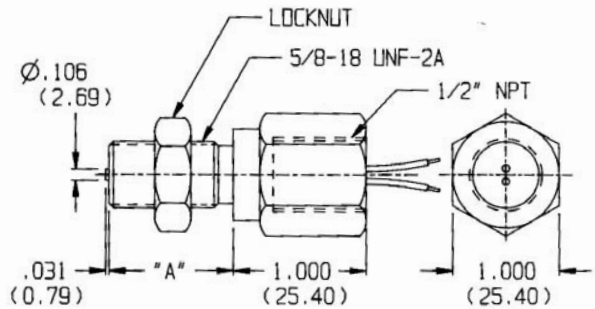
Based on 8 D.P. Gear

Specifications:

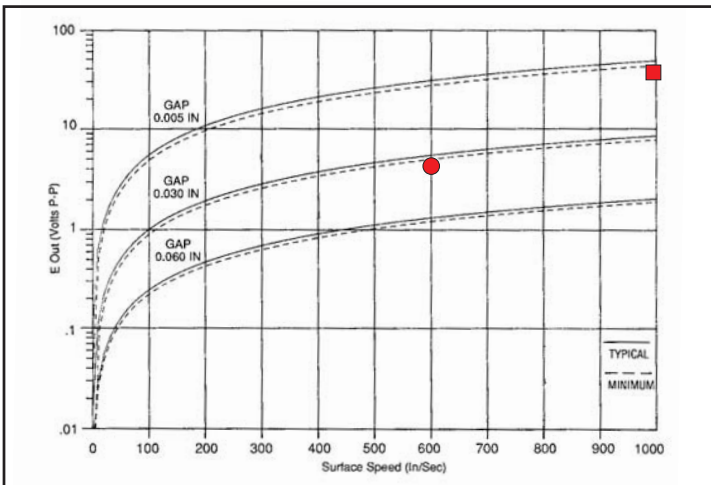
- Output Voltage (Standard): 75 V (P-P)
- Output Voltage (Guarantee Point): 21.5 V (P-P)
- DC Resistance: 210 ohms max.
- Typical Inductance: 50 to 95 mH ref.
- Output Polarity: Pin "B" positive
- Operating Temperature: -73 to +107° C
- Net Weight: 2.2 oz. max.

Conduit Fitting – General Purpose

Ordering Part # **Thread Length (A)**
 70085-1010-004 1.125 (28.57)
 70085-1010-469 2.750 (69.85)



Performance Curves



Based on 20 D.P. Gear

Specifications:

- Output Voltage (Standard): 43 V (P-P)
- Output Voltage (Guarantee Point): 4.3 V (P-P)
- DC Resistance: 130 ohms max.
- Typical Inductance: 32-46 mH ref.
- Output Polarity: Red lead positive
- Operating Temperature: -73 to +107° C
- Lead length: 10 ft (3.05 m)
- Net Weight: 16 oz. max.

AI-Tek Instruments, Cheshire, CT USA

Dimensions in inches and (mm).