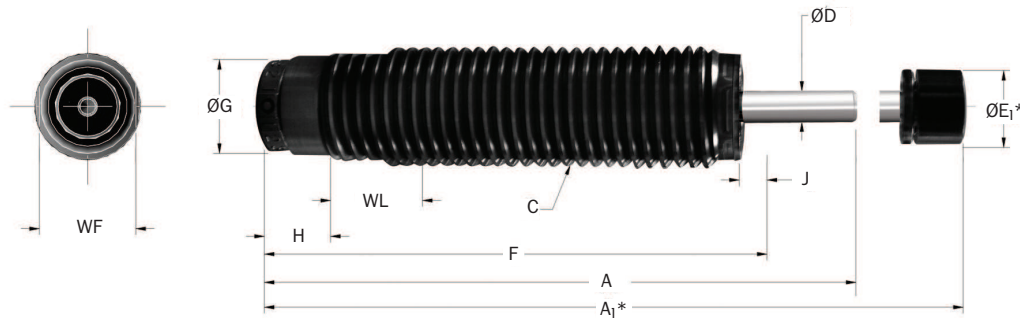


Standard

ECO 8 → ECO 100 Series



*Note: A1 and E1 apply to button models and urethane striker cap accessory. One Hex Jam Nut included with every shock absorber.

Catalog No./ Model	(S) Stroke in. (mm)	(E _T) Max. in.-lbs./cycle (Nm/cycle)	(E _T E) Emergency Max. in.-lbs./cycle (Nm/cycle)	(E _T C) Max. in.-lbs./hour (Nm/h)	(F _p) Max. Reaction Force lbs. (N)	Nominal Coil Spring Force		(F _D) Max. Propelling Force lbs. (N)	Model Weight oz. (g)
						Extended lbs. (N)	Compressed lbs. (N)		
ECO 8 (B)	0.25 (6,4)	35 (4,0)	—	55,000 (6 215)	200 (890)	0.6 (2,7)	1.2 (5,6)	45 (200)	.5 (16)
ECO 10 (B)	0.28 (7,0)	62 (7,0)	—	120,700 (13 640)	360 (1 600)	0.5 (2,2)	1.0 (4,5)	80 (350)	1.0 (28)
ECO 15 (B)	0.41 (10,4)	106 (12,0)	220 (25)	275,000 (31 020)	450 (2 000)	0.7 (3,0)	1.6 (7,0)	50 (220)	2.0 (56)
ECO S 25 (B)	0.50 (12,7)	212 (24,0)	390 (44)	331,000 (37 400)	625 (2 800)	1.0 (4,5)	2.5 (11,0)	200 (890)	2.4 (68)
ECO 25 (B)	0.63 (16,0)	265 (30,0)	500 (56)	389,000 (44 000)	625 (2 800)	1.0 (4,5)	2.5 (11,0)	200 (890)	2.4 (68)
ECO S 50 (B)	0.50 (12,7)	285 (32,0)	560 (63)	440,000 (49 720)	850 (3 750)	1.5 (6,0)	3.5 (15,0)	360 (1 600)	3.0 (69)
ECO 50 (B)	0.88 (22,0)	550 (62,0)	975 (110)	523,000 (59 070)	850 (3 750)	2.0 (8,9)	6.8 (30,0)	360 (1 600)	4.8 (136)
ECO 100 (B)	1.00 (25,0)	930 (105,0)	2210 (250)	681,500 (77 000)	1,250 (5 500)	3.0 (13,0)	6.0 (27,0)	500 (2 200)	10.5 (297)

*Notes: Maximum energy rating for emergency use only. Estimated cycle life of 1-5 cycles if used at maximum emergency rating.

Catalog No./ Model	Damping Constant	A in. (mm)	A ₁ in. (mm)	C in. (mm)	D in. (mm)	E ₁ in. (mm)	F in. (mm)	G in. (mm)	H in. (mm)	J in. (mm)	WF in. (mm)	WL in. (mm)
ECO 8 IF (B)	-1,-2,-3	1.86 (47,0)	2.25 (57,0)	5/8 - 32 UNEF	.10 (2,5)	0.27 (6,8)	1.61 (40,9)	.26 (6,6)	.18 (4,6)	.10 (2,5)	—	—
ECO 8 MF (B)	-1,-2,-3	—	—	M8 x 0,75	—	—	—	—	—	—	—	—
ECO 8 MC (B)	-1,-2,-3	—	—	M8 x 1,0	—	—	—	—	—	—	—	—
ECO 10 IF (B)	-1,-2,-3	2.12 (54,0)	2.51 (64,0)	1/8 - 28 UNEF	.12 (3,0)	0.34 (8,6)	1.83 (46,5)	.34 (8,6)	.18 (4,6)	.13 (3,3)	—	—
ECO 10 MF (B)	-1,-2,-3	—	—	M10 x 1,0	—	—	—	—	—	—	—	—
ECO 15 IF (B)	-1,-2,-3,-4	2.45 (62,2)	2.85 (72,4)	1/8 - 28 UNEF	.12 (3,0)	.40 (10,2)	2.10 (52,1)	.39 (9,9)	.27 (6,9)	.10 (2,5)	.39 (11,0)	.38 (9,5)
ECO 15 MF (B)	-1,-2,-3,-4	—	—	M12 x 1,0	—	—	—	—	—	—	—	—
ECO 15 IC (B)	-1,-2,-3,-4	—	—	1/2 - 20 UNEF	—	—	—	—	—	—	—	—
ECO S 25 MF (B)	-1,-2,-3	3.25 (82,7)	3.63 (92,2)	M14 x 1,0	.16 (4,0)	0.44 (11,2)	2.74 (69,5)	.43 (10,9)	.20 (5,1)	.04 (1,0)	(12,0)	.50 (12,7)
ECO S 25 IC (B)	-1,-2,-3	—	—	1/8 - 18 UNF	—	—	—	—	—	—	.50 (12,7)	(12,0)
ECO S 25 MC (B)	-1,-2,-3	—	—	M14 x 1,5	—	—	—	—	—	—	—	(12,0)
ECO 25 IF (B)	-1,-2,-3,-4	3.84 (97,5)	4.22 (107,2)	1/2 - 20 UNF	.16 (4,0)	.44 (11,2)	3.20 (81,3)	.43 (10,9)	.30 (7,6)	.04 (1,0)	(12,0)	.50 (12,7)
ECO 25 MF (B)	-1,-2,-3,-4	—	—	M14 x 1,0	—	—	—	—	—	—	—	(12,7)
ECO 25 IC (B)	-1,-2,-3,-4	—	—	1/8 - 18 UNF	—	—	—	—	—	—	—	(12,7)
ECO 25 MC (B)	-1,-2,-3,-4	—	—	M14 x 1,5	—	—	—	—	—	—	—	(12,0)
ECO S 50 IF (B)	-1,-2,-3	3.46 (87,9)	3.93 (99,9)	3/4 - 16 UNF	.19 (4,8)	0.50 (12,7)	2.93 (74,4)	.64 (16,3)	.30 (7,6)	.04 (1,0)	.68 (18,0)	.50 (12,7)
ECO S 50 MC (B)	-1,-2,-3	—	—	M20 x 1,5	—	—	—	—	—	—	—	(12,7)
ECO 50 IF (B)	-1,-2,-3,-4	4.66 (118,4)	5.13 (130,3)	3/4 - 16 UNF	.19 (4,8)	0.50 (12,7)	3.76 (95,5)	.64 (16,3)	.30 (7,6)	.04 (1,0)	.68 (18,0)	.50 (12,7)
ECO 50 MC (B)	-1,-2,-3,-4	—	—	M20 x 1,5	—	—	—	—	—	—	—	(12,7)
ECO 100 IF (B)	-1,-2,-3,-4	5.07 (128,8)	5.57 (141,5)	1-12 UNF	.25 (6,4)	0.62 (15,7)	4.04 (102,6)	.87 (22,0)	.50 (12,7)	.18 (4,6)	.88 (23,0)	.50 (12,7)
ECO 100 MF (B)	-1,-2,-3,-4	—	—	M25 x 1,5	—	—	—	—	—	—	—	(12,7)
ECO 100 MC (B)	-1,-2,-3,-4	—	—	M27 x 3,0	—	—	—	—	—	—	—	(12,7)

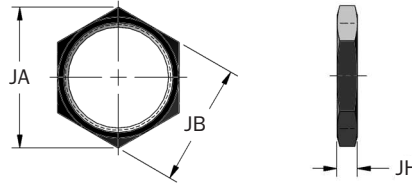
Notes: 1. See page 54 for constant damping curves.

ECO 8 → ECO 100 Series

Accessories

Jam Nut (JN)

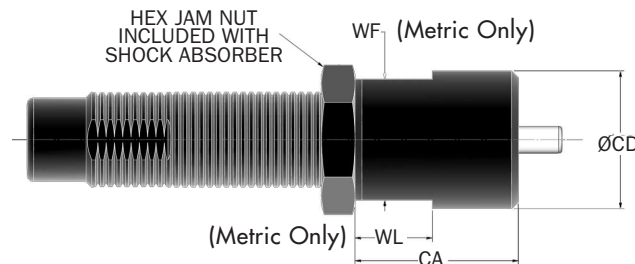
*Note: One Hex Jam Nut included with every shock absorber.



Catalog No./ Model	ECO Series Part Number	Model (Ref)	JA in. (mm)	JB in. (mm)	JH in. (mm)	Weight (mass) oz. (g)
JN 3/8 - 32	J123839034	ECO 8 (B)	0.58	0.50	.09	0.1
JN M8 x 0,75	J223839185	ECO 8 MF (B)	(14,0)	(12,0)	(4,0)	(2)
JN M8 x 1	J223839035	ECO 8 MC (B)	(14,0)	(12,0)	(4,0)	(2)
JN 7/16 - 28	J123840034	ECO 10 IF (B)/ECO 15 (B)	0.65	0.56	.16	0.1
JN M10 x 1	J223840167	ECO 10 MF (B)	(17,3)	(15,0)	(4,0)	(2)
JN M12 x 1	J223841035	ECO 15 M (B)	(15,0)	(13,0)	(3,2)	(2)
JN 1/2 - 20	J123842166	ECO 25 IF (B)	0.72	0.63	.12	0.1
JN M14 x 1	J223842035	ECO S/ECO 25 MF (B)	(19,7)	(17,0)	(4,0)	(3)
JN 9/16 - 18	J123842034	ECO S/ECO 25 IC (B)	1.01	0.88	.31	0.6
JN M14 x 1,5	J223842165	ECO S/ECO 25 MC (B)	(19,7)	(17,0)	(4,0)	(3)
JN 3/4 - 16	J123844034	ECO S/ECO 50 IC (B)	1.08	0.94	.18	0.3
JN M20 x 1,5	J223844035	ECO S/ECO 50 MC (B)	(27,7)	(24,0)	(4,6)	(7)
JN 1-12	J123846034	ECO 100 (B)	1.30	1.13	.18	0.5
JN M25 x 1,5	J223846035	ECO 100 MF (B)	(37,0)	(32,0)	(4,6)	(15)

Stop Collar (SC)

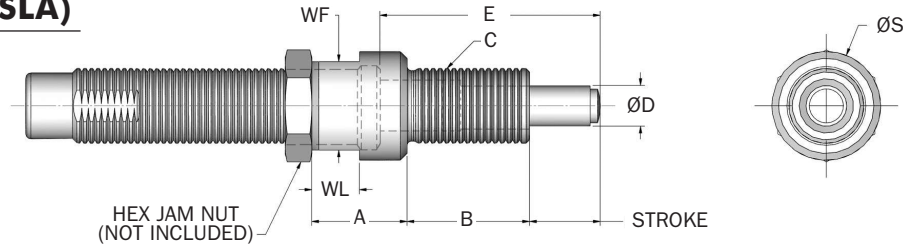
ECO8 → ECO100



Catalog No./ Model	ECO Series Part Number	Model (Ref)	CA in. (mm)	CB in. (mm)	CD in. (mm)	WF in. (mm)	WL in. (mm)	Weight (mass) oz. (g)
SC 3/8 - 32	M923839057	ECO 8 (B)	0.75	.50	0.58	-	-	.5
SC M8 x 0,75	M923839175	ECO 8 MF (B)	(19,0)	(12,0)	(14,0)	-	-	(23)
SC M8 x 1	M923839058	ECO 8 MC (B)	(19,0)	(12,0)	(14,0)	-	-	(23)
SC 7/16 - 28	M923841057	ECO 10 IF (B)	0.75	-	0.63	-	-	.5
SC M10 x 1	M923840171	ECO 10 MF (B)	(19,0)	-	(14,0)	-	-	(11)
SC 7/16 - 28	M923841057	ECO 15 (B)	0.75	-	0.63	-	-	.5
SC M12 x 1	M923841058	ECO 15 M (B)	(19,0)	-	(16,0)	(14,0)	(9,0)	(14)
SC 1/2 - 20	M923842057	ECO 25 IF (B)	1.00	-	0.75	-	-	1.0
SC M14 x 1,5	M923842171	ECO S/ECO 25 MF (B)	(25,4)	-	(21,0)	(19,0)	(12,0)	(38)
SC 9/16 - 18	M923842199	ECO S/ECO 25 IC (B)	1.00	-	0.69	-	-	1.0
SC M14 x 1	M923842058	ECO S/ECO 25 MF (B)	(25,4)	-	(18,0)	(17,0)	(12,0)	(20)
SC 3/4 - 16	M923844057	ECO S/ECO 50 (B)	1.50	-	1.00	-	-	2.0
SC M20 x 1,5	M924057058	ECO S/ECO 50 M (B)	(38,0)	-	(25,0)	(22,0)	(12,0)	(63)
SC 1-12 x 1	M923846057	ECO 100 (B)	1.75	-	1.50	-	-	8.0
SC M25 x 1,5	M923846171	ECO 100 MF (B)	(44,5)	-	(38,0)	(32,0)	(15,0)	(215)

ECO 8 → ECO 100 Series

Side Load Adaptor (SLA)



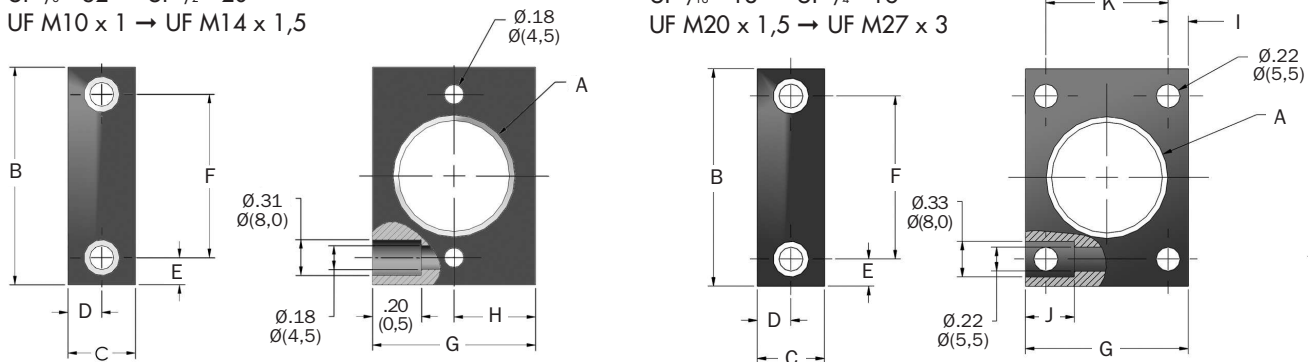
Catalog No./ Model	ECO Series Part Number	Model (Ref)	Stroke in. (mm)	A in. (mm)	B in. (mm)	C in. (mm)	D in. (mm)	E in. (mm)	S in. (mm)	WF in. (mm)	WL in. (mm)
SLA 7/16 - 28 x .28	SLA 33974	ECO 10	.28	.43	.47	7/16-28 UNF	.20	.87	.63	.56	.16
SLA 10 MF	SLA 33457	ECO 10 MF	(6,4)	(11)	(12)	M10 x 1	(5,0)	(21,9)	(13,0)	(11,0)	(4,0)
SLA 7/16 - 28 x .41	SLA 33844	ECO 15 IF	.41	.55	.71	7/16-28 UNF	.24	1.28	.63	.56	.28
SLA 12 MF	SLA 33299	ECO 15 MF	(10,0)	(14)	(18)	M12 x 1	(6,0)	(32,4)	(14,0)	(13,0)	(7,0)
SLA 1/2 - 20 x .41	SLA 71146	ECO 15 IC	.41	.55	.71	1/2-20 UNF	.24	1.28	.63	.56	.28
SLA 1/2 - 20 x .63	SLA 33849	ECO 25 IF	.63	.51	1.02	1/2-20 UNF	.31	1.62	.71	.63	.28
SLA 14 MF	SLA 33297	ECO 25 MF	(16,0)	(13)	(26)	M14 x 1	(8,0)	(45,2)	(18,0)	(15,0)	(7,0)
SLA 9/16 - 18 x .63	SLA 33850	ECO 25 IC	.63	.51	1.02	9/16-18 UNF	.31	1.62	.71	.63	.28
SLA 14 MC	SLA 33298	ECO 25 MC	(12,7)	(13)	(26)	M14 x 1,5	(8,0)	(45,2)	(18,0)	(15,0)	(7,0)
SLA 14 MFS	SLA 33306	ECO S 25 MF	(12,7)	(16)	(20)	M14 x 1	(8,0)	(39,2)	(18,0)	(15,0)	(7,0)
SLA 7/16 - 18 x .50	SLA 33846	ECO S 25 IC	.5	.63	.79	7/16-18 UNF	.31	1.55	.71	.63	.28
SLA 14 MCS	SLA 33301	ECO S 25 MC	(12,7)	(16)	(20)	M14 x 1,5	(8,0)	(39,2)	(18,0)	(15,0)	(7,0)
SLA 3/4 - 16 x .88	SLA 33851	ECO 50	.88	.67	1.26	3/4-16 UNF	.43	2.44	.98	.88	.28
SLA 20 MC	SLA 33302	ECO 50 M	(22,0)	(17)	(32)	M20 x 1,5	(11,0)	(62,0)	(25,0)	(22,0)	(7,0)
SLA 3/4 - 16 x .50	SLA 33847	ECO S 50	.5	.55	.94	3/4-16 UNF	.43	1.64	.98	.88	.28
SLA 20 MCS	SLA 33262	ECO S 50 M	(12,7)	(14)	(24)	M20 x 1,5	(11,0)	(41,5)	(25,0)	(22,0)	(7,0)
SLA 1-12 x 1	SLA 33848	ECO 100	1.00	1.18	1.50	1-12 UNF	.59	2.88	1.42	1.25	.39
SLA 25 MF	SLA 33263	ECO 100 MF	(25,4)	(30)	(38)	M25 x 1,5	(15,0)	(73,2)	(36,0)	(32,0)	(7,0)
SLA 25 MC	SLA 33296	ECO 100 MC	(25,4)	(30)	(38)	M27 x 3	(15,0)	(73,2)	(36,0)	(32,0)	(10,0)

Notes: 1. Maximum sideload angle is 30°. 2. Part numbers in page color are non-standard lead time items, contact Enidine.

Universal Retaining Flange (UF)

UF 3/8 - 32 → UF 1/2 - 20
UF M10 x 1 → UF M14 x 1,5

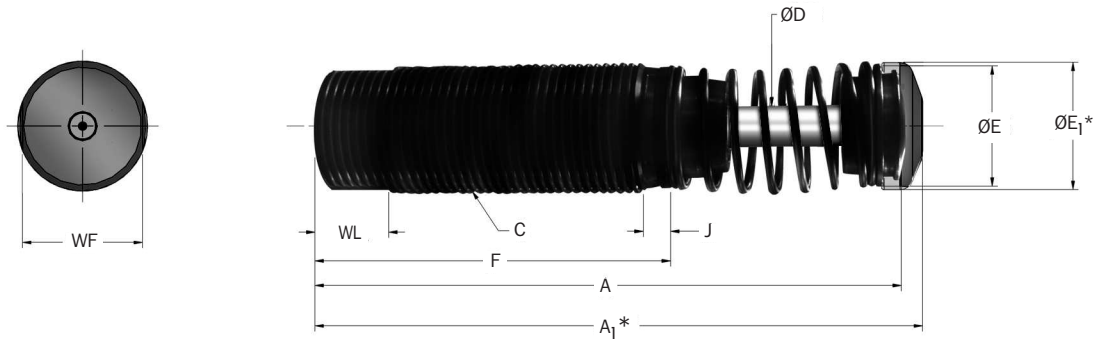
UF 7/16 - 18 → UF 3/4 - 16
UF M20 x 1,5 → UF M27 x 3



Catalog No./ Model	ECO Series Part Number	Model (Ref)	A in. (mm)	B in. (mm)	C in. (mm)	D in. (mm)	E in. (mm)	F in. (mm)	G in. (mm)	H in. (mm)	I in. (mm)	J in. (mm)	K in. (mm)
UF M10 x 1	U16363189	ECO 10M	M10 x 1	(38,0)	(12,0)	(6,0)	(6,25)	(25,5)	(25,0)	(12,5)	-	(5,0)	-
UF 7/16 - 28	U15588095	ECO 15 (B)/ECO 10 (B)	7/16-28 UNF	1.50	.56	.28	.25	1.00	1.00	0.50	-	.20	-
UF M12 x 1	U15588189	ECO 15 M (B)	M12 x 1	(38,0)	(12,0)	(6,0)	(6,25)	(25,5)	(25,0)	(12,5)	-	(5,0)	-
UF 1/2 - 20	U13935095	ECO 25 IF (B)	1/2-20 UNF	1.50	.56	.28	.25	1.00	1.00	0.50	-	.20	-
UF M14 x 1	U14950189	ECO/ECO S 25 MF (B)	M14 x 1,5	(45,0)	(16,0)	(8,0)	(5,0)	(35,0)	(30,0)	(15,0)	-	(5,0)	-
UF 9/16 - 18	U19018095	ECO/ECO S 25 IC (B)	9/16-18 UNF	1.81	.62	.31	.22	1.38	1.38	-	.19	.32	1.00
UF M14 x 1,5	U13935143	ECO/ECO S 25 MC (B)	M14 x 1,5	(45,0)	(16,0)	(8,0)	(5,0)	(35,0)	(30,0)	(15,0)	-	(5,0)	-
UF 3/4 - 16	U120275095	ECO/ECO S 50 (B)	3/4-16 UNF	2.00	.62	.31	.25	1.50	1.50	-	.19	.45	1.12
UF M20 x 1,5	U12646143	ECO/ECO S 50 MC (B)	M20 x 1,5	(48,0)	(16,0)	(8,0)	(6,5)	(35,0)	(35,0)	-	(4,75)	(10,0)	(25,5)
UF 1-12	U19599095	ECO 100	1-12 UNF	2.00	.62	.31	.25	1.50	1.50	-	.19	.39	(25,5)
UF M25 x 1,5	U13004143	ECO 100/110M	M25 x 1,5	(48,0)	(16,0)	(8,0)	(6,5)	(35,0)	(35,0)	-	(4,75)	(10,0)	(25,5)
UF M27 x 3	U12587143	ECO 100 MC	M27 x 3	(48,0)	(16,0)	(8,0)	(6,5)	(35,0)	(35,0)	-	(4,75)	(10,0)	(25,5)

Notes: 1. Part numbers in page color are non-standard lead time items, contact ITT Enidine.

Standard



*Note: A₁ and E₁ apply to button models and urethane striker cap accessory.

Catalog No./ Model	(S) Stroke in. (mm)	(E _T) Max. in.-lbs./cycle (Nm/cycle)	(E _T E) Emergency Max. in.-lbs./cycle (Nm/cycle)	(F _P) (E _T C) Max. in.-lbs./hour (Nm/h)	(F _D) Max. Reaction Force lbs. (N)	Nominal Coil Spring Force		Max. Propelling Force lbs. (N)	Weight (mass) oz. (g)
						Extended lbs. (N)	Compressed lbs. (N)		
PRO 110 IF (B)	1.56 (40,0)	1,700 (190,0)	—	670,000 (75 700)	1,700 (7 500)	4.0 (18,0)	11.0 (49,0)	500 (2 220)	16.0 (454)
PRO 110 MF (B)	1.56 (40,0)	1,700 (190,0)	—	670,000 (75 700)	1,700 (7 500)	4.0 (18,0)	11.0 (49,0)	500 (2 220)	16.0 (454)
PRO 110 MC (B)	1.56 (40,0)	1,700 (190,0)	—	670,000 (75 700)	1,700 (7 500)	4.0 (18,0)	11.0 (49,0)	500 (2 220)	16.0 (454)
ECO 120 IF (B)	1.00 (25,0)	1,640 (185,0)	4,425 (500)	743,500 (84 000)	2,500 (11 120)	12.5 (56,0)	20.0 (89,0)	700 (3 100)	17.0 (482)
ECO 120 MF (B)	1.00 (25,0)	1,640 (185,0)	4,425 (500)	743,500 (84 000)	2,500 (11 120)	12.5 (56,0)	20.0 (89,0)	700 (3 100)	17.0 (482)
ECO 125 IF (B)	1.00 (25,0)	1,640 (185,0)	4,425 (500)	920,500 (104 000)	2,500 (11 120)	12.5 (56,0)	20.0 (89,0)	700 (3 100)	21.0 (595)
ECO 125 MF (B)	1.00 (25,0)	1,640 (185,0)	4,425 (500)	920,500 (104 000)	2,500 (11 120)	12.5 (56,0)	20.0 (89,0)	700 (3 100)	21.0 (595)
ECO 220 IF (B)	2.00 (50,0)	3,100 (350,0)	8,850 (1 000)	911,600 (103 000)	2,500 (11 120)	7.0 (31,0)	20.0 (89,0)	700 (3 100)	23.0 (652)
ECO 220 MF (B)	2.00 (50,0)	3,100 (350,0)	8,850 (1 000)	911,600 (103 000)	2,500 (11 120)	7.0 (31,0)	20.0 (89,0)	700 (3 100)	23.0 (652)
ECO 225 IF (B)	2.00 (50,0)	3,100 (350,0)	8,850 (1 000)	1,124,000 (127 000)	2,500 (11 120)	7.0 (31,0)	20.0 (89,0)	700 (3 100)	27.0 (765)
ECO 225 MF (B)	2.00 (50,0)	3,100 (350,0)	8,850 (1 000)	1,124,000 (127 000)	2,500 (11 120)	7.0 (31,0)	20.0 (89,0)	700 (3 100)	27.0 (765)

Notes: *Maximum energy rating for emergency use only. Estimated cycle life of 1-5 cycles if used at maximum emergency rating.

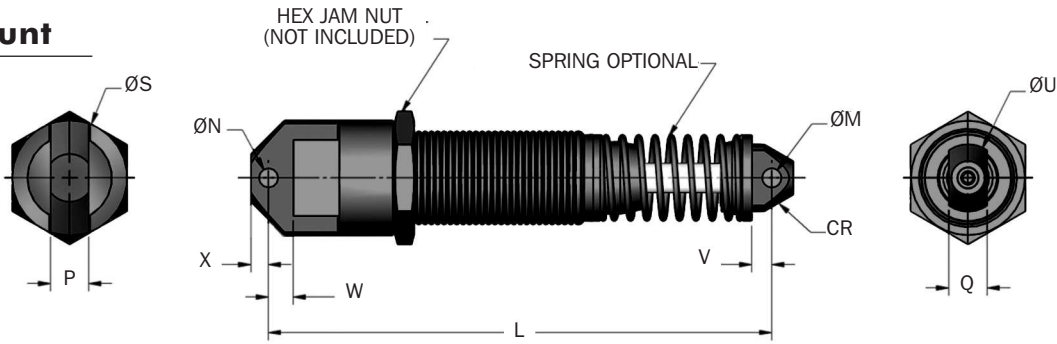
Catalog No./ Model	Damping Constant	A in. (mm)	A ₁ in. (mm)	C in. (mm)	D in. (mm)	E in. (mm)	E ₁ in. (mm)	F in. (mm)	J in. (mm)	WF in. (mm)	WL in. (mm)
PRO 110 IF (B)**	-1,-2,-3	7.93	8.06	1-12 UNF	.31	0.88	0.88	5.00	.06	—	—
PRO 110 MF (B)**	-1,-2,-3	(201,4)	(204,7)	(M25 x 1,5)	(8,0)	(22,2)	(22,2)	(127,0)	(1,5)	—	—
PRO 110 MC (B)**	-1,-2,-3	(201,4)	(204,7)	(M25 x 2,0)	(8,0)	(22,2)	(22,2)	(127,0)	(1,5)	—	—
ECO 120 IF (B)	-1,-2,-3	5.52	5.72	1 ¼-12 UNF	.38	1.13	1.20	3.41	.21	1.12	.63
ECO 120MF (B)	-1,-2,-3	(140,2)	(145,3)	M33 x 1,5	(9,5)	(29,0)	(30,5)	(87,0)	(5,3)	(30,0)	(16,0)
ECO 125 IF (B)	-1,-2,-3	5.52	5.72	1 ⅜-12 UNF	.38	1.13	1.20	3.41	.21	1.12	.63
ECO 125 MF (B)	-1,-2,-3	(140,2)	(145,3)	M36 x 1,5	(9,5)	(29,0)	(30,5)	(87,0)	(5,3)	(33,0)	(16,0)
ECO 220 IF (B)	-1,-2,-3	8.14	8.34	1 ¼-12 UNF	.38	1.13	1.20	5.03	.21	1.12	.63
ECO 220 MF (B)	-1,-2,-3	(207,0)	(212,0)	M33 x 1,5	(9,5)	(29,0)	(30,5)	(128,0)	(5,3)	(30,0)	(16,0)
ECO 225 IF (B)	-1,-2,-3	8.14	8.34	1 ⅜-12 UNF	.38	1.13	1.20	5.03	.21	1.25	.63
ECO 225 MF (B)	-1,-2,-3	(207,0)	(212,0)	M36 x 1,5	(9,5)	(29,0)	(30,5)	(128,0)	(5,3)	(33,0)	(16,0)

Notes: 1. See page 55 for constant damping curves.

**The PRO 110 Model is a Nickel Plated Shock Absorber.

ECO 120 → ECO 225 Series

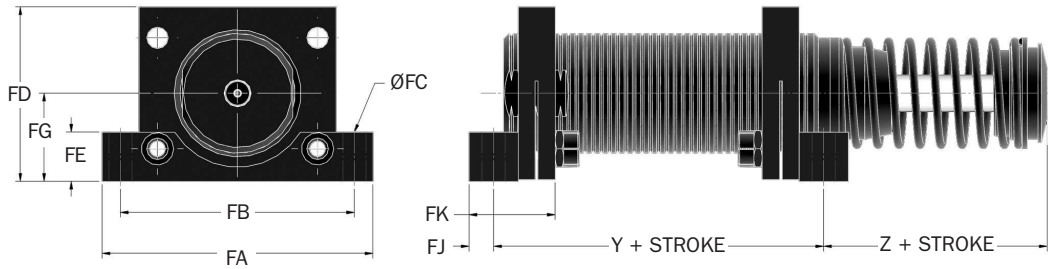
Clevis Mount



Catalog No./ Model	L in. (mm)	M +.005/-0.000 in. (mm)	N +.005/-0.000 in. (mm)	P +.000/-0.010 in. (mm)	Q +.000/-0.010 in. (mm)	S in. (mm)	U in. (mm)	V in. (mm)	W in. (mm)	X in. (mm)	CR in. (mm)	Weight (mass) lbs. (Kg)
ECO 120 CM (S)	6.59 (167)	.251 (6,38)	.251 (6,38)	.500 (12,70)	.500 (12,70)	1.50 (38)	.88 (23)	.23 (6)	.48 (12)	.31 (6,1)	.44 (11,2)	1.3 (0,59)
ECO 220 CM (S)	9.22 (234)	.251 (6,38)	.251 (6,38)	.500 (12,70)	.500 (12,70)	1.50 (38)	.88 (23)	.23 (6)	.48 (12)	.31 (6,1)	.44 (11,2)	1.7 (0,77)
ECO 125 CM (S)	6.59 (180)	.251 (6,38)	.251 (6,38)	.500 (12,70)	.500 (12,70)	1.50 (38)	.88 (22)	.23 (6)	.93 (24)	.23 (6,0)	.44 (11,2)	1.6 (0,73)
ECO 225 CM (S)	9.22 (230)	.251 (6,38)	.251 (6,38)	.500 (12,70)	.500 (12,70)	1.50 (38)	.88 (22)	.23 (6)	.93 (24)	.23 (6,0)	.44 (11,2)	1.9 (0,86)

Notes: 1. (S) indicates model comes with spring.

Flange Foot Mount

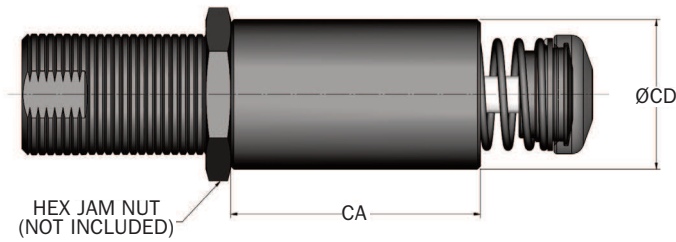


Catalog No./ Model	Part Number	Model (Ref)	Y in. (mm)	Z in. (mm)	FA in. (mm)	FB in. (mm)	FC in. (mm)	FD in. (mm)	FE in. (mm)	FG in. (mm)	FJ in. (mm)	FK in. (mm)	Bolt Size in. (mm)	Kit Weight oz. (g)
FM 1 1/4 - 12	2F21049305	ECO 120/220	2.25	1.25	2.75	2.38	.23	1.77	.50	.90	.25	.88	#10	4.0
FM M33 x 1,5	2F21049306	ECO 120/220M	(57,2)	(31,8)	(70,0)	(60,3)	(5,90)	(45,0)	(12,7)	(22,7)	(6,4)	(22,2)	(M5)	(100)
FM 1 3/8 - 12	2F21293305	ECO 125/225	2.25	1.25	2.75	2.38	.23	1.77	.50	.90	.25	.88	#10	4.0
FM M36 x 1,5	2F21293306	ECO 125/225M	(57,2)	(31,8)	(70,0)	(60,3)	(5,90)	(45,0)	(12,7)	(22,7)	(6,4)	(22,2)	(M5)	(100)

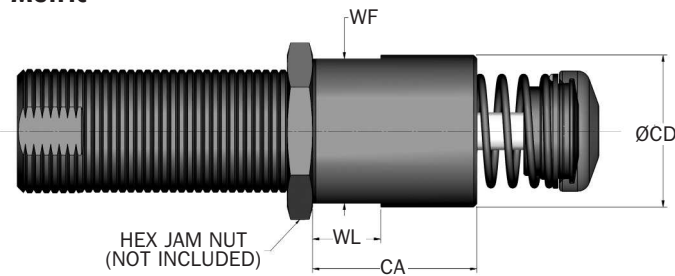
Notes: 1. Shock absorber must be ordered separately from foot mount kit.
2. All foot mount kits include two foot mounts.

Stop Collar (SC)

Imperial

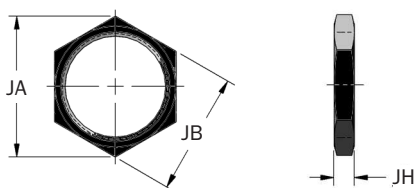


Metric



Catalog No./ Model	Part Number	Model (Ref)	CA in. (mm)	CD in. (mm)	WF in. (mm)	WL in. (mm)	Weight (mass) oz. (g)
SC 1 1/4-12	M921049057	ECO 120/220	2.50	1.50	—	—	7.0
SC M33 x 1,5	M930290171	ECO 120/220 M	(41,0)	(38,0)	(36,0)	(17,0)	(210)
SC 1 3/8-12	M921293057	ECO 120/220	2.50	1.69	—	—	7.0
SC M36 x 1,5	M930285058	ECO 120/220 M	(63,5)	(43,0)	(41,0)	(18,0)	(210)

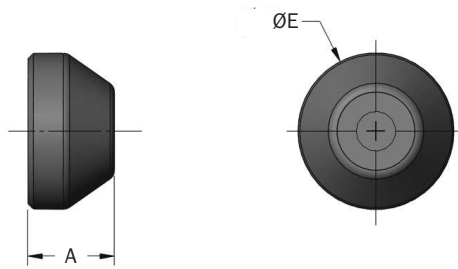
Jam Nut (JN)



Catalog No./ Model	Part Number	Model (Ref)	JA in. (mm)	JB in. (mm)	JH in. (mm)	Weight (mass) oz. (g)
JN 1 1/4-12	J18609034	ECO 120/220	1.73	1.50	.25	0.9
JN M33 x 1,5	J28609035	ECO 120/220 M	(47,3)	(41,0)	(6,4)	(27)
JN 1 3/8-12	J13164034	ECO 125/225	1.73	1.50	.25	0.9
JN M36 x 1,5	J23164034	ECO 125/225 M	(47,3)	(41,0)	(6,4)	(27)

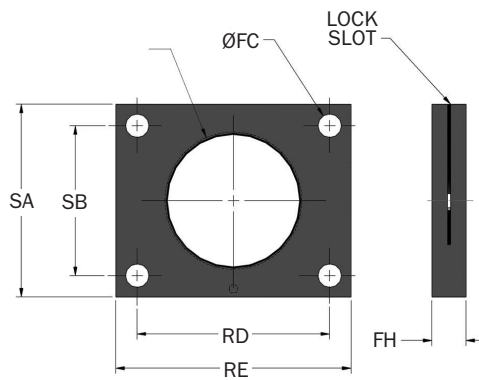
ECO 120 → ECO 225 Series

Urethane Striker Cap (USC)



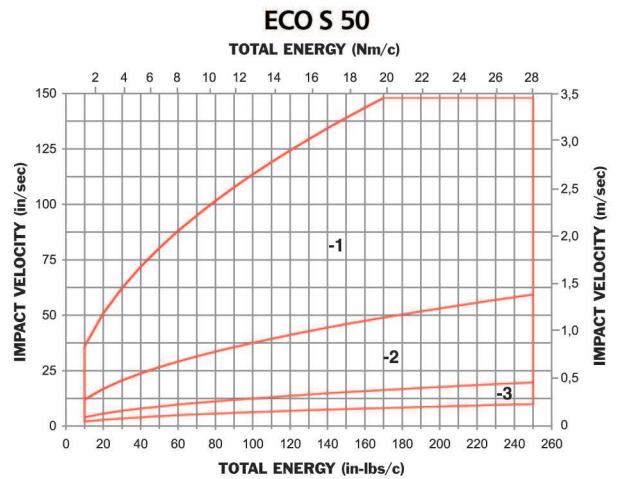
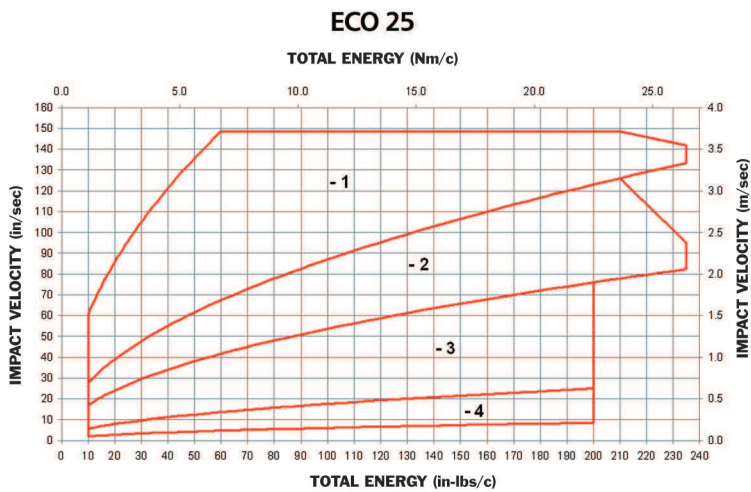
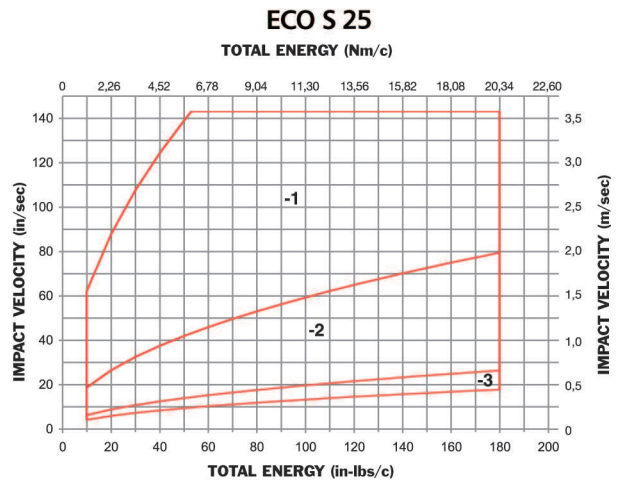
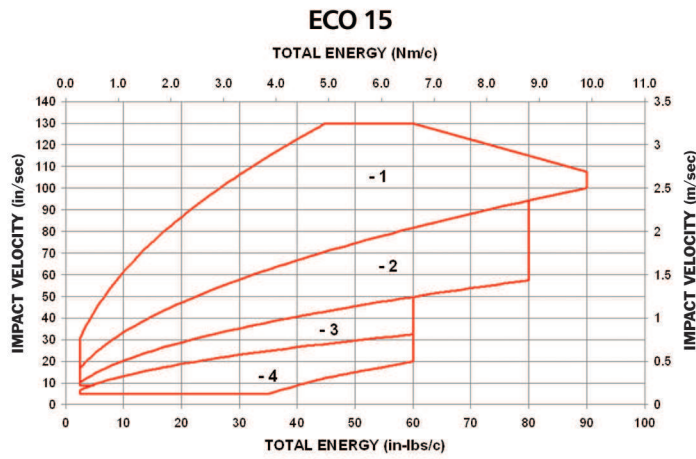
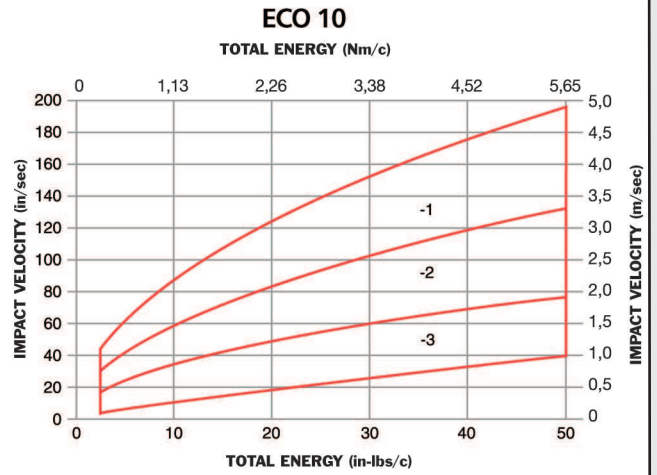
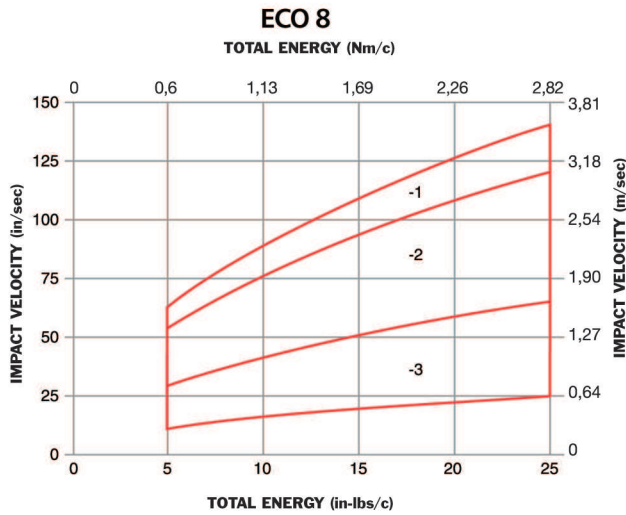
Catalog No./ Model	Part Number	Model (Ref)	A in. (mm)	E1 in. (mm)	Weight (mass) oz. (g)
UC 8609	C98609079	ECO 120, 125, 220 & 225	.39 (10,0)	1.20 (30,5)	0.1 (3)

Rectangular Flange (RF)



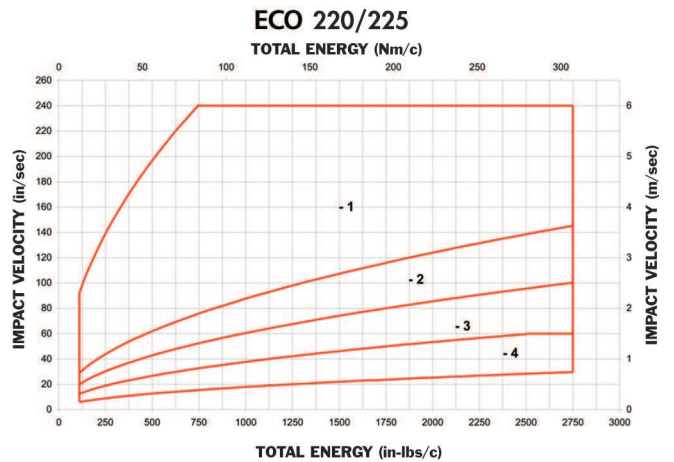
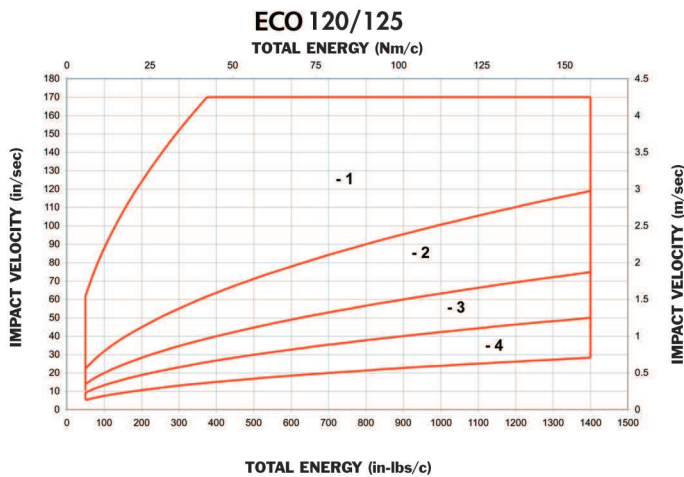
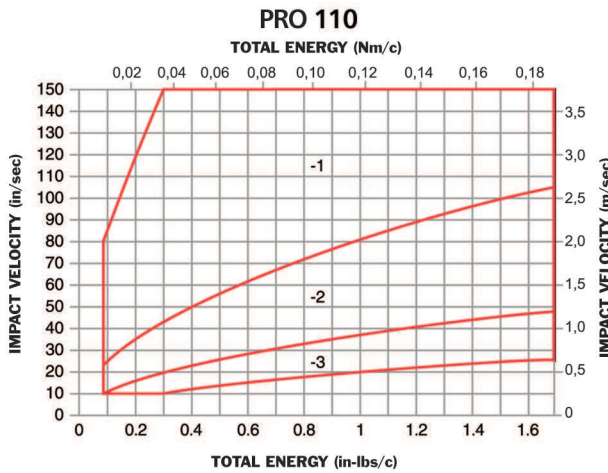
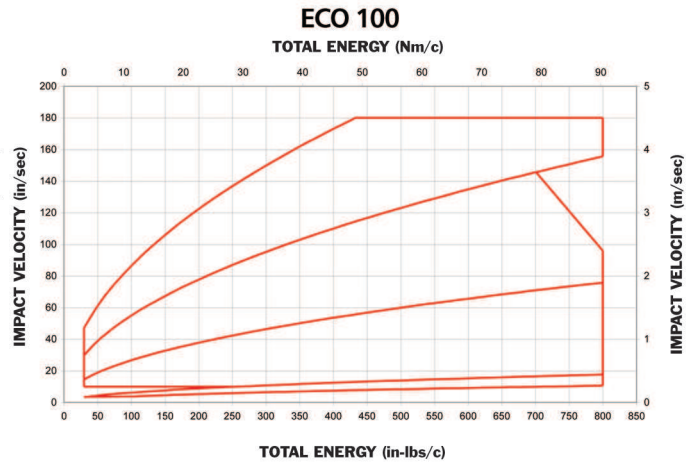
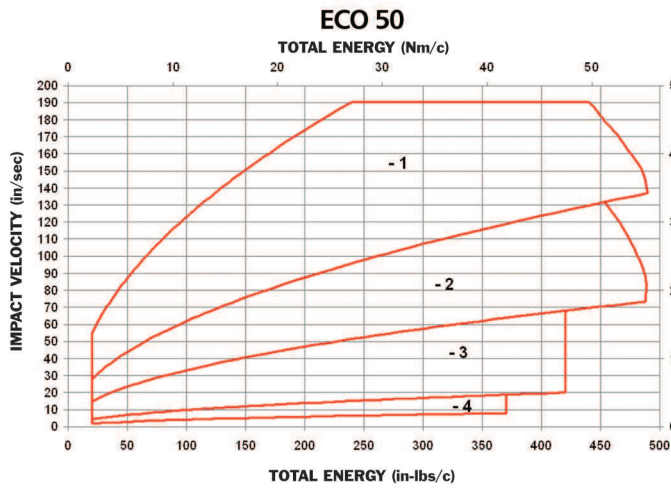
Catalog No./ Model	Part Number	Model (Ref)	FC in. (mm)	FH in. (mm)	RD in. (mm)	RE in. (mm)	SA in. (mm)	SB in. (mm)	Bolt Size in. (mm)	Wt. (mass) oz. (g)
RF 1 1/4 - 12	N121049129	ECO 120/220	.22	.38	1.63	2.00	1.75	1.13	#10	1.0
RF M33 x 1,5	N121049141	ECO 120/ 220M	(5,5)	(9,5)	(41,3)	(50,8)	(44,5)	(28,6)	(M5)	(30)
RF 1 1/2 - 12	N121293129	ECO 125/225	.22	.38	1.63	2.00	1.75	1.13	#10	1.0
RF M36 x 1,5	N121293129	ECO 125/225M	(5,5)	(9,5)	(41,3)	(58,8)	(44,5)	(28,6)	(M5)	(30)

Non-Adjustable Series



Note: Minimum impact velocity for ECO models is 4 in./sec. (0,1 m/sec).

ECO 50 → ECO 225 Series



Note: Minimum impact velocity for PRO and ECO models is 4 in./sec. (0,1 m/sec).