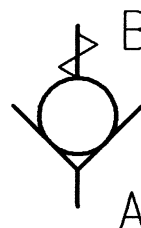


Check Valves, Size 04 ... 40
Spherical Poppet-type, Screw-in Design
Series RKVE ... 360 l/min, 350 bar (500 bar)



1 General

1.1 Product description

Series RKVE units are screw-in check valves with mounting threads ranging from G 1/8" to G 1-1/2". For other thread forms, contact Bucher Hydraulics.

The cavities are identical to those used by the RKVG valve (REG-02 cavity only) and RVE valve (REG-01 & REG-02).

The valves prevent flow in the screw-in direction (B → A). In the opposite direction, there is a range of opening pressures from 0.2 to 2 bar.

For opening pressures larger than 2 bar, the RVVE-... longer-body versions of the valves are available; see data sheet 170-P-051010-E).

The units are spring-closed spherical poppet valves with hardened body, poppet and seat. The properties of the sealing faces have been enhanced by mechanical processing.

An external O-ring seals the leakage path between the valve and cavity wall. Please note that the two types of cavity use different O-ring sizes !

Additional exists a variant with a metallic sealing edge for the cavity type REG-02 (size 04 to 16).

The valves can be used for pressure relief in the opening direction, but only to a limited extent (consult Bucher Hydraulics for such applications).

1.2 Advantages

- Virtually leak-free
- High pressure rating
- Compact construction
- Spring is enclosed (up to size 16)
- Various opening pressures
- Damped and undamped models

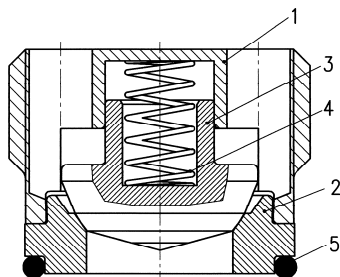
2 Main characteristics

Designation	check valve / non-return valve
Design	spherical poppet design
Mounting method	screw-in cartridge
Size	nominal 4...40 mm. See Table in section 5, Dimensions
Dimensions	see Table in section 5, Dimensions
Mounting attitude	unrestricted
No-flow direction	B → A (see symbol)
Operating pressure range	... 350 bar (for 500 bar, contact Bucher Hydraulics)
Opening pressure	0.2 ... 2 bar
Flow rate, Q max.	... 360 l/min
Fluid	HL and HLP hydraulic oils to DIN 51524
Temperature range	-30°C... +80°C
Viscosity range	10... 500 mm ² /s (cSt)
Min. fluid cleanliness	18/14 to ISO 4406 / CETOP RP70H, 8...9 to NAS 1638

For applications outside these parameters, please contact Bucher Hydraulics.

3 Schematic section

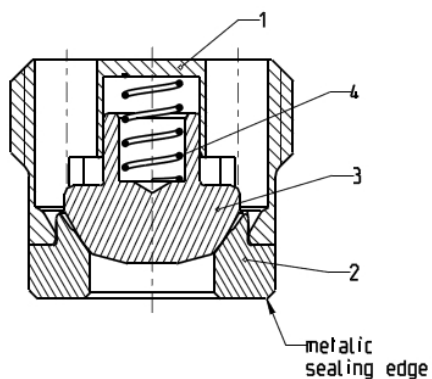
Size 04 – 16 (REG-01 and REG-02)



4 Components

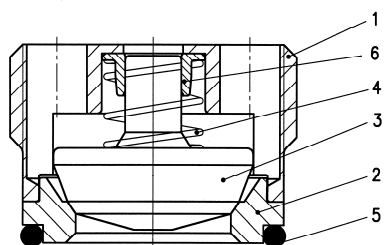
Item	Qty.	Description
1	1	Valve body
2	1	Valve seat
3	1	Valve poppet
4	1	Spring
5	1	O-ring

Size 04 – 16 (REG-02)



Item	Qty.	Description
1	1	Valve body
2	1	Valve seat
3	1	Valve poppet
4	1	Spring

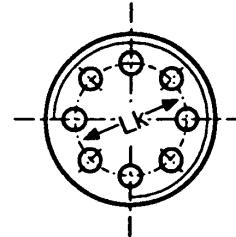
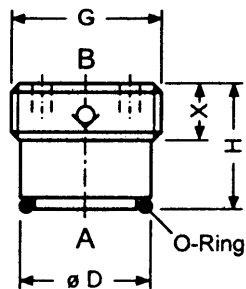
Size 25 – 40 (REG-01)



Item	Qty.	Description
1	1	Valve body
2	1	Valve seat
3	1	Valve poppet
4	1	Spring
5	1	O-ring
6	1	Guide bush

5 Dimensions

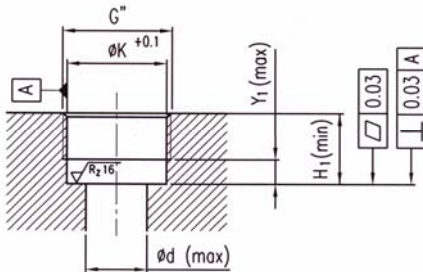
5.1 Valve



	Q Nom =Qmax (l/min)	G	ØD	H	X	O-ring for cavity type REG-01	O-ring for cavity type REG-02	Tighteni ng torque OR (Nm)	Tighteni ng torque DK118 (Nm)	Pin spanner Type
RKVE-04-...	8	G1/8"	8.5	10.0	5.0	6.2 x 1.0	6 x 0.8	3	8	M-04
RKVE-06-...	15	G1/4"	11.5	11.3	5.0	8.5 x 1.5	8 x 1.25	7	20	M-06
RKVE-08-...	30	G3/8"	14.9	13.3	7.0	12 x 1.5	12 x 1.0	15	25	M-08
RKVE-10-...	50	G1/2"	18.7	15.9	8.5	16 x 1.5	16 x 1.0	30	40	M-10
RKVE-16-...	80	G3/4"	24.2	18.9	10.0	20 x 2.0	20 x 1.5	60	60	M-16/MKS-16
RKVE-25-...	140	G1"	30.2	23.0	12.5	25 x 2.5	-	120	-	M-25/MKS-25
RKVE-32-...	240	G1 1/4"	39.1	36.0	21.5	34 x 2.5	-	200	-	MKS-32
RKVE-40-...	360	G1 1/2"	44.5	42.0	27.0	40 x 2.5	-	300	-	MKS-40

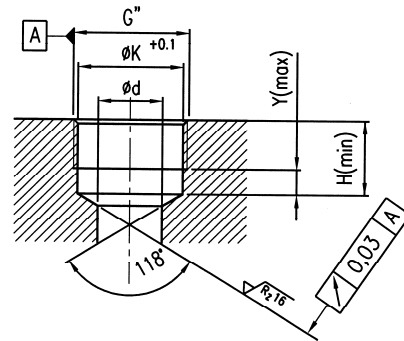
5.2 Cavity

5.21 Cavity type REG-01



	G	ØK	Ød	Y ₁	H ₁
RKVE-04-...	G1/8"	8.7	4.0	4.0	10.0
RKVE-06-...	G1/4"	11.75	6.0	5.0	11.5
RKVE-08-...	G3/8"	15.25	8.0	5.0	13.5
RKVE-10-...	G1/2"	19.0	11.0	6.0	16.0
RKVE-16-...	G3/4"	24.5	15.0	7.0	19.0
RKVE-25-...	G1"	30.5	20.0	10.0	23.0
RKVE-32-...	G1 1/4"	39.5	26.0	12.0	36.0
RKVE-40-...	G1 1/2"	45.0	33.0	12.0	42.0

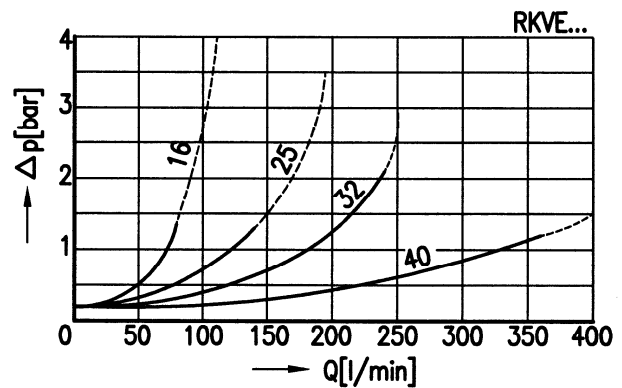
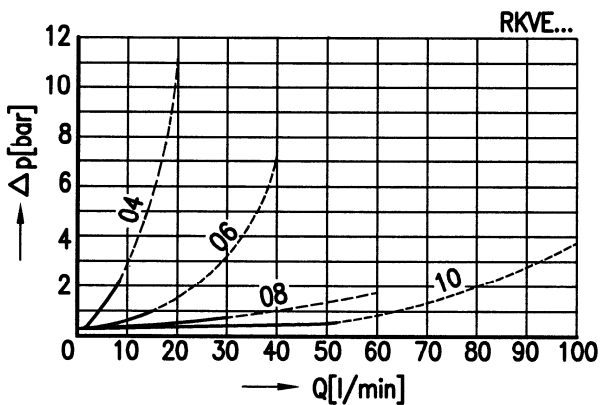
5.22 Cavity type REG-02



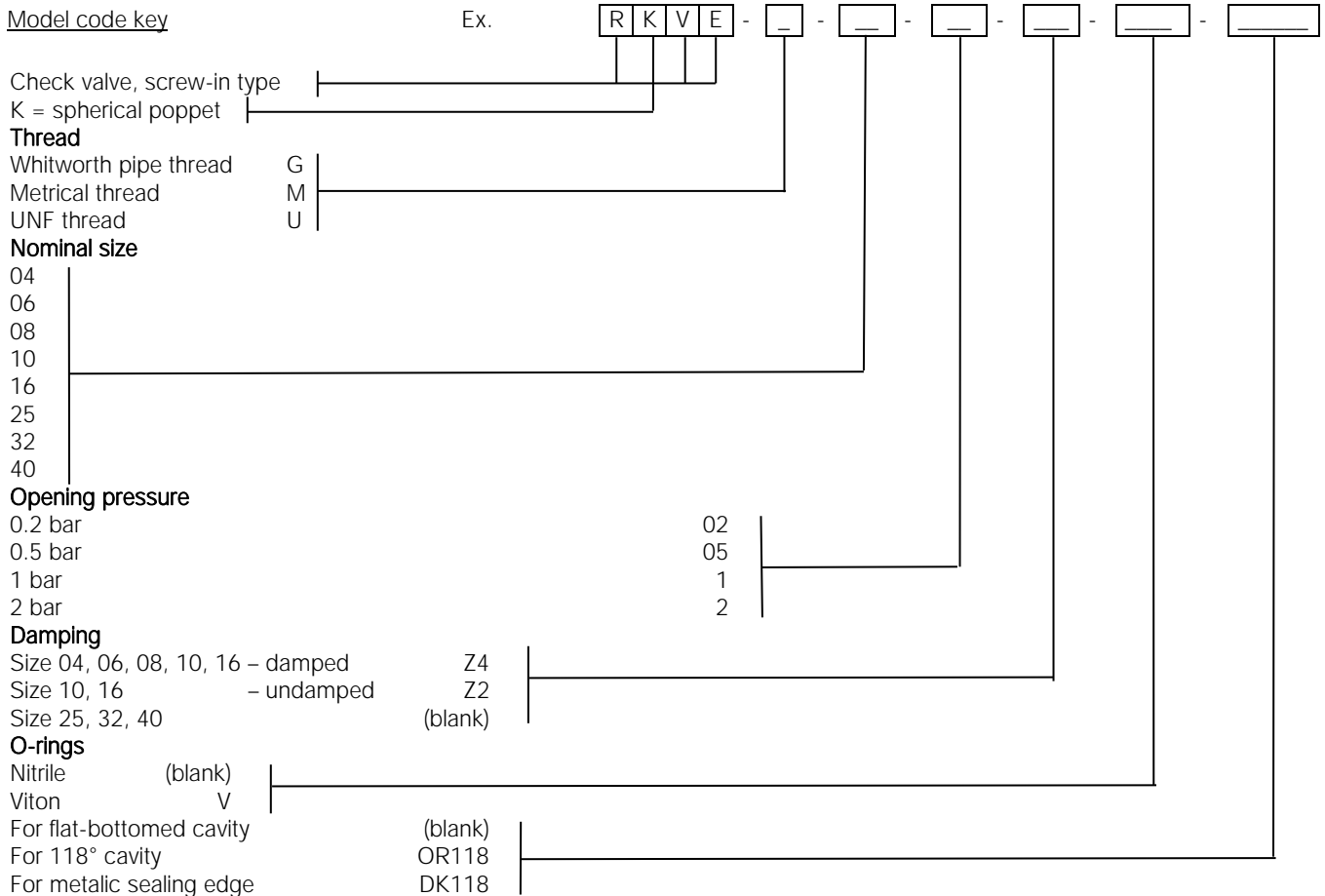
	G	ØK	Ød	DK118 Ød	Y	H
RKVE-04-...	G1/8"	8.7	4.0	6.0	2.5	10.0
RKVE-06-...	G1/4"	11.75	6.0	8.0	4.0	11.5
RKVE-08-...	G3/8"	15.25	8.0	11.5	4.0	13.5
RKVE-10-...	G1/2"	19.0	11.0	15.5	4.5	16.0
RKVE-16-...	G3/4"	24.5	15.0	20.0	6.0	19.0

6 Performance graphs

measured with oil viscosity 33 mm²/s (cSt)



7 Ordering details



Contact Bucher Hydraulics for further advice on:

- other opening pressures
- special materials
- customised designs

8 Design and installation notes

The installation dimensions and tolerances must be maintained.

Use the specified tightening torque when fitting the valve.

Referring to the free-flow direction, nozzles and orifices must not be situated directly before the check valve (see Data Sheet 170-P-059000-E).

When fitting the valve, take particular care to ensure that:

- the valve is firmly seated on the sealing surface, but that
- valve components are not deformed by the use of excessive force

Recommendation: before installing the valve, fit the O-ring in the cavity.

We offer form tools for hire or sale.

Special fitting tools (pin spanners) are available for sale.

9 Application notes

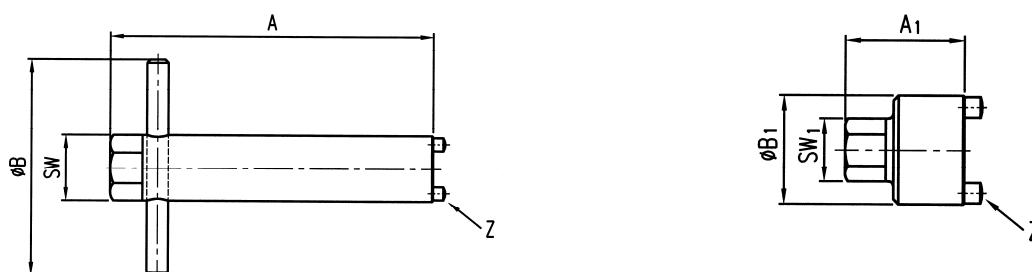
The maximum operating pressure must not be exceeded and any pressure peaks must be taken into consideration.

The specified nominal flow rate must not be exceeded.

In applications such as accumulator circuits, where sudden pressure can be applied to the valve in the free-flow direction, ensure that the specified flow ratings are not exceeded. In dynamic accumulator circuits, use the internally damped valves.

Buyers bear the sole responsibility for ensuring that the selected products are suitable for their applications. Buyers normally establish this by undertaking qualification programs on test stands, or by evaluating the performance of prototype machines or systems.

10 Pin spanners



	A	A ₁	ØB	ØB ₁	SW (A/F)	SW ₁ (A/F)	Z (dia.)
M04	90	-	50	-	7	-	3
M06	105	-	60	-	10	-	3
M08	120	-	70	-	13	-	4
M10	135	-	90	-	17	-	4
M16/MKS16	150	35	90	24	22	14	4
M25/MKS25	150	37	90	30	27	19	3
MKS32	-	45	-	38	-	19	5
MKS40	-	47	-	43	-	22	5

info.dah@bucherhydraulics.com

www.bucherhydraulics.com

© 2015 by Bucher Hydraulics Dachau GmbH, D-85221 Dachau

All rights reserved.

Data is provided for the purpose of product description only, and must not be construed as warranted characteristics in the legal sense. The information does not relieve users from the duty of conducting their own evaluations and tests. Because the products are subject to continual improvement, we reserve the right to amend the product specifications contained in this catalogue.