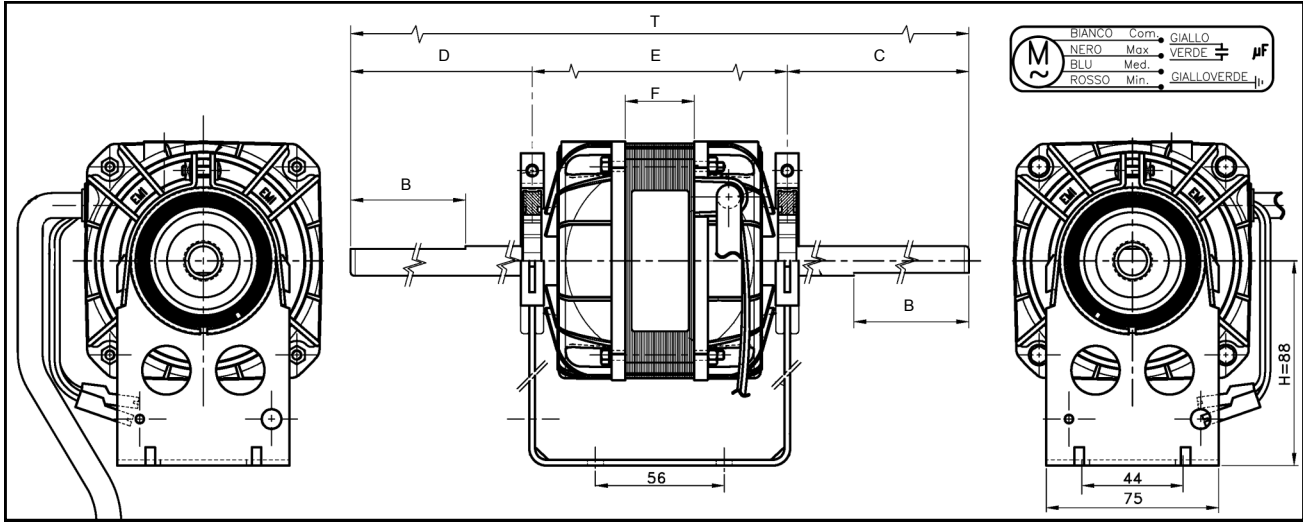


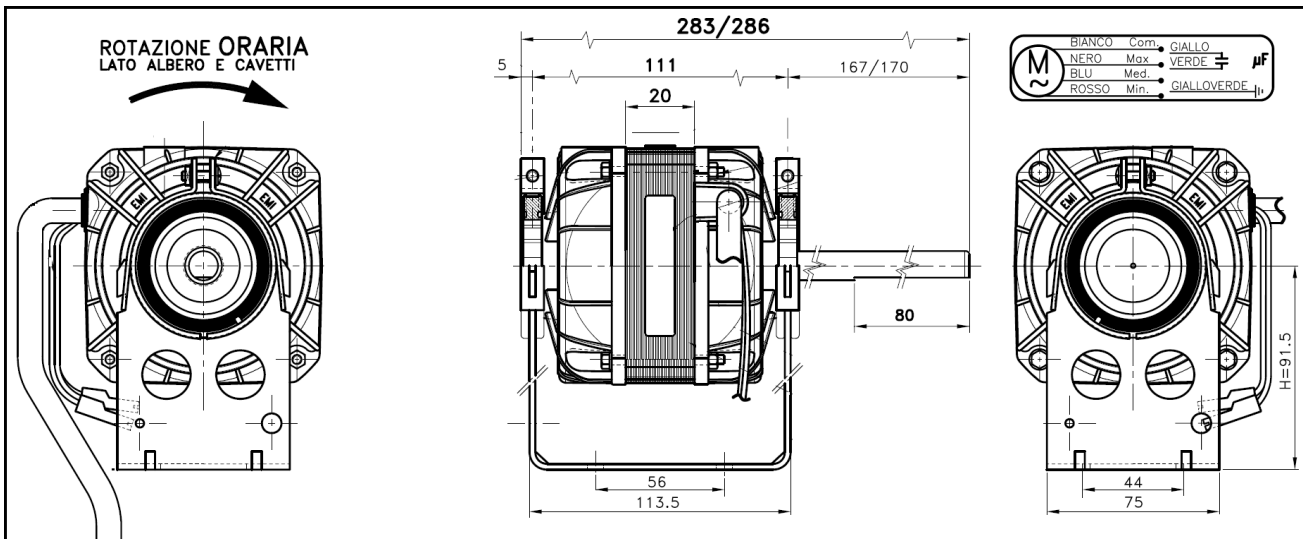
SERIE 102Q

MOTORI PER FAN COIL MULTIVELOCITA'

FAN COIL MOTORS MULTISPEED



Modello Codice	Wr	Wa	A	N° Vel	RPM	T	B	C	D	E	F	Ø albero
103B 2025/3Q 4137.0004	23	85	0.38	3	1100	490	80	180	180	111	20	12.7
103B 3050/1Q 4137.0403	35	110	0.55	3	1100	565	80	210	210	111	30	12.7
103B 4080/1Q 4137.0802	80	210	1.10	3	1100	555	80	210	210	131	40	12.7
103B 6 2020/1Q 4138.0001	18	75	0.40	3	800	515	80	200	200	111	20	12.7



Modello Codice	Wr	Wa	A	N° Vel	RPM	Ø albero
103M 2025/1Q 4137.0002	23	85	0.38	3	1100	12.7