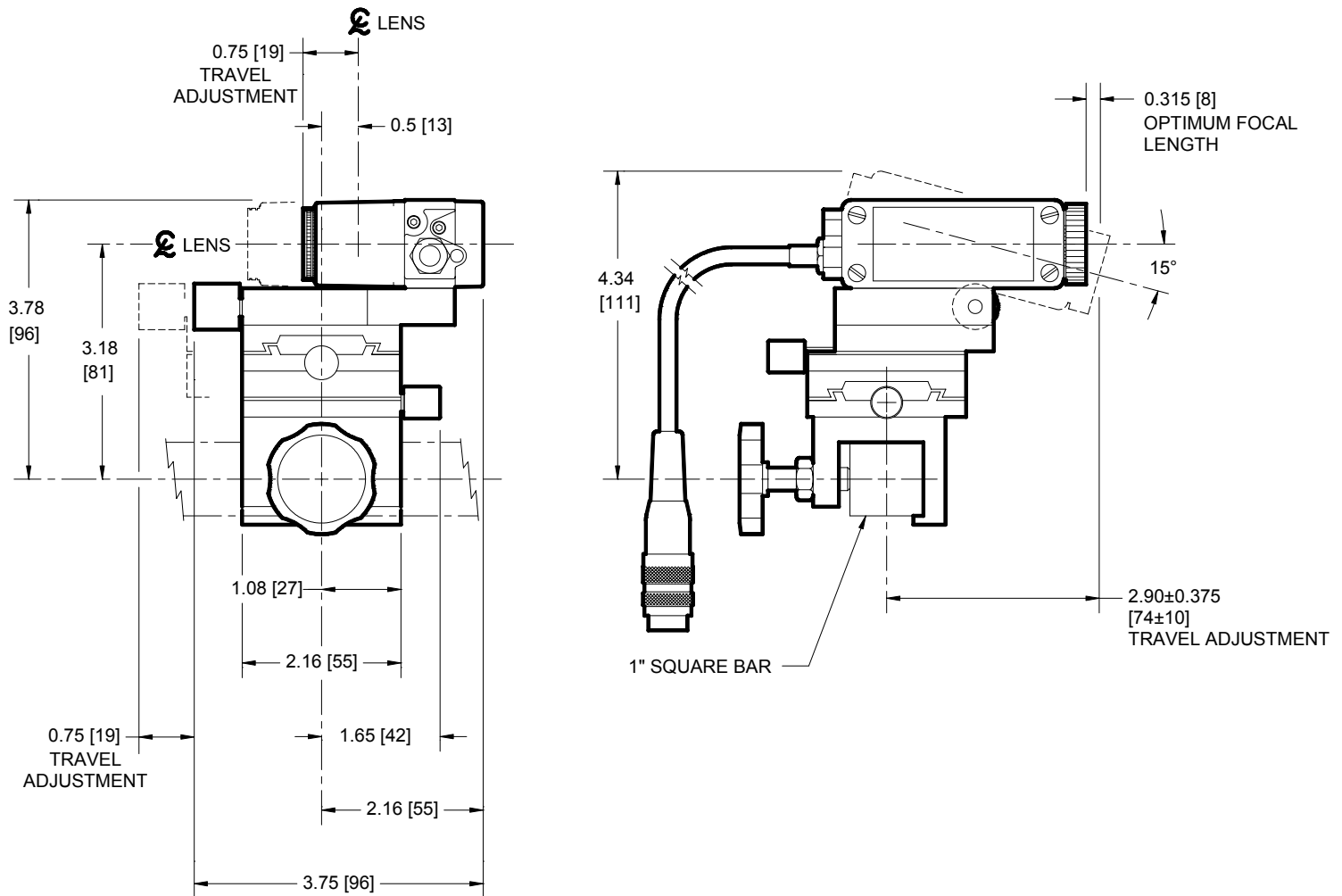




# INSTALLATION SE-26A LINE GUIDE SENSOR



## NOTES:

1. All dimensions in brackets [ ] are in millimeters.
2. Web surface at guide point must be supported. No web plane change can be tolerated.
3. Dimensions from centerline of square bar to web surface permits plus and minus adjustments of the system. When tilt feature is used, sensor must be readjusted.

## SPECIFICATIONS:

Power supply requirements

Voltage requirement:

±12VDC, dual supply

Current requirements:

<400mA +12VDC

<40mA -12VDC

Sensor output range:

-20mA to +20mA for line guide

-20mA to +10mA for edge guide

Operating temperature (Maximum ambient)

0-50° C



# INSTALLATION SE-26A LINE GUIDE SENSOR

There are three basic setup procedures for the SE-26A sensor.

1. **LINE GUIDING** – The LINE mode is for guiding to the center of a printed line 0.050 to 0.100 inches wide with a minimum of 0.100 inches of plain background on both sides of line. Lines as small as 0.010 inches with good contrast are possible to guide from. The line may be continuous or broken.
2. **EDGE GUIDING** – The EDGE mode is for guiding to the edge of a material on a roller or backup plate, to the edge of a continuous printed pattern, or to the edge of a line wider than 0.100 inch on a solid background. (diagram A).

3. **EDGE GUIDING TO A BROKEN EDGE** – The BROKEN EDGE mode is for guiding to the edge of a broken line or pattern.

For FLAT non-reflective materials, the SE-26A sensor should be mounted perpendicular to the web so all of the light from the sensor is reflected back into the lens.

For GLOSSY reflective materials (glossy laminates, metallic materials, shiny Mylar, etc.), the SE-26A sensor should be mounted at a 15° angle from the perpendicular by tilting the sensor mounting bracket. This causes a portion of the sensor light to be reflected away from the lens. (diagram B).

