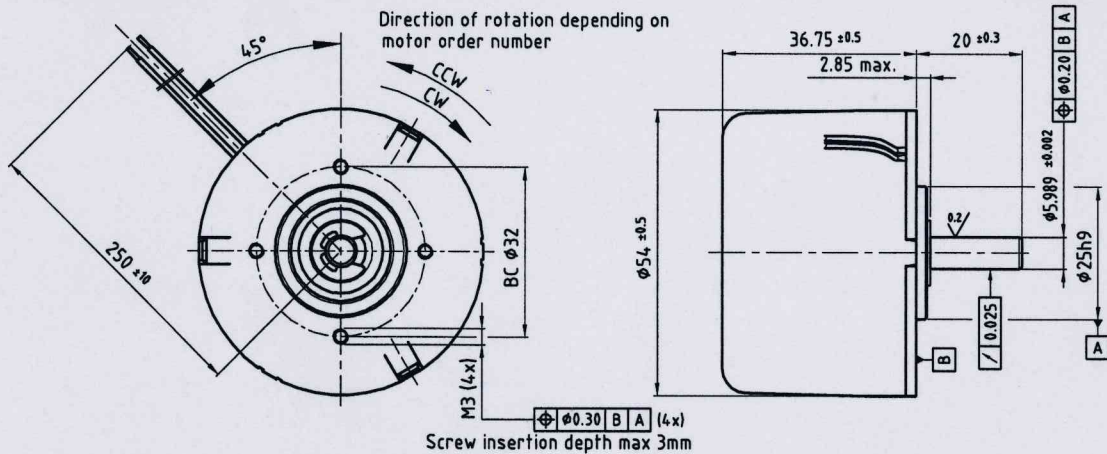


Dimensional drawing



Motor data

Motor order number	CW	4322 016 +	48025	48035
	CCW	4322 016 +	48021	48031
Nominal voltage	[V]	12	24	
Voltage range	[V]	10 .. 15	14 .. 28	
Max. output power	¹⁾ [W]	12	12	
No load speed	[rpm]	4600	4600	
No load current	[mA]	230	140	
Min. starting torque	[mNm]	53	57	
Nominal torque	[mNm]	30	30	
Nominal speed	[rpm]	3200	3200	
Nominal current	[A]	1.28	0.66	
Max. current limit	[A]	2.13	1.04	
Max. continuous torque	¹⁾ [mNm]	43	43	
Torque constant	[mNm/A]	27.6	56.2	
Rotor inertia	[kgm ²]	31x10 ⁻⁶	31x10 ⁻⁶	
Mechanical time constant	[ms]	51	41	
Max. flange temperature	¹⁾ [°C]	85	85	

All relevant values in above table are valid for nominal supply voltages and Tamb.=22°C

¹⁾ For thermal reasons it is advised to mount the motor on a heat conducting frame if high output power is desired.

Maximum radial load 15 mm from mounting front at 3000 rpm	[N]	40
Mass of motor	[g]	250

Electrical Connection

Lead colour	Function	Description
red	supply voltage	AWG 24
blue	ground	AWG 24

Product combinations

- * Gearbox P42A
- * Gearbox S64A
- * Gearbox S69A

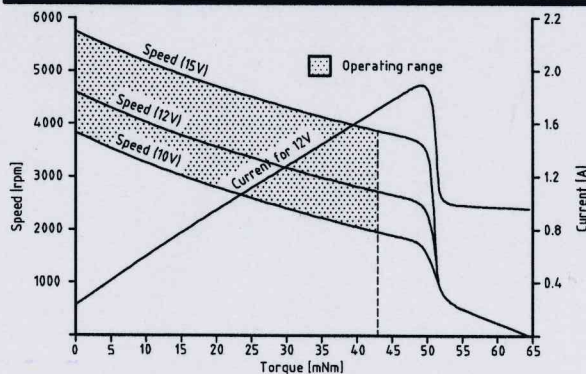
Options

- * Special shafts, diameter 3...6 mm
- * 4-wire versions with an extra lead for Frequency Generator output and a lead for speed adjustment (PWM control of motor voltage)
- * Direction of rotation pre-set (internal)
- * Square foot mounting flange

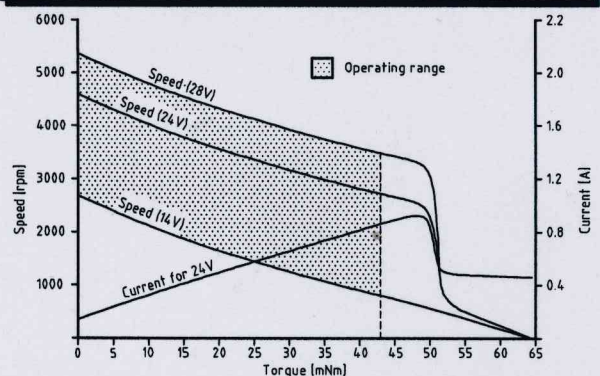
Features

- * 2 wire concept
 - * Long life (up to 20.000 hours)
 - * EMC compliance with standards EN 55011, EN 55022 and EN 50082-1 ²⁾
 - * Resistant against short-term wrong connection
 - * Protection class IP30
- ²⁾ Capacitor of 1000 µF (for 12 V motor) or 470 µF (for 24 V motor) needed at the outlet of the power supply.

Performance curves of 12 V versions



Performance curves of 24 V versions



PREMOTEC

PRECISION MOTOR TECHNOLOGY BV

Precision Motor Technology b.v. - Kerkeplaat 16 - 3313 LC - Dordrecht - The Netherlands - Tel.: +31 78 621 99 40 - Fax.: +31 78 621 48 28

2001-10-11 / subject to change

Internet : www.premotec.com - E-mail : sales@premotec.com