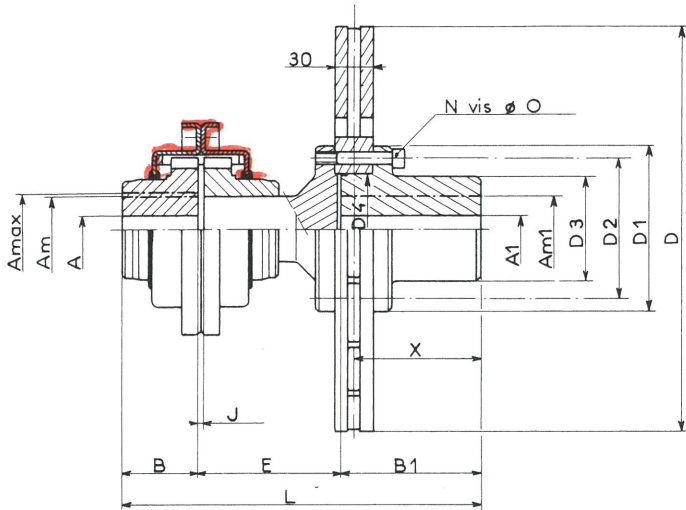


Type TDF for Disc Brake Application.



Coupling for ventilated disc brake,

designed to permit mounting and dismounting of the disc without necessity of moving connected machines. Patents : French and Foreign.

For Coupling dimensions see table for Type 'T'.

Note: By comparison with our old supply, dimension 'B1' has been modified on all sizes, consequently dimension 'E' is also modified as well as dimensions 'L' and 'X' of which the values are underlined.

SIZE	0			1			2			5				9			16	
D	315	355	395	395	445	445	495	550	625	495	550	625	705	795	625	705	795	795
Maximum Peak Torque	95			190			380			850				1250			2400	
A Max Keyway fitting	55	55	55	80	80	110	110	110	110	105	105	105	105	105	130	130	130	180
Am Shrink Fit	45	45	45	60	60	100	100	100	100	90	90	90	90	90	100	100	100	170
Am1 Keyway fitting	55	70	75	75	80	80	110	110	120	110	110	120	135	150	120	135	150	150
Am2 Shrink Fit	50	60	70	70	70	70	100	100	105	100	100	105	120	135	105	120	135	135
A } Pilot Bored	-	-	-	-	-	-	30	30	30	30	30	30	30	30	30	30	30	60
A1 } Pilot Bored	-	-	-	-	-	-	30	30	30	30	30	30	30	30	30	30	30	30
o B	60	60	60	80	80	80	80	80	80	110	110	110	110	110	110	110	110	130
B1	107	107	107	107	140	140	140	140	140	140	140	140	140	140	140	140	140	140
D1	124	145	165	165	175	175	218	218	238	218	218	238	268	300	238	268	300	300
D2	105	125	140	140	146	146	190	190	205	190	190	205	230	260	205	230	260	260
D3	82	100	110	110	112	112	155	155	168	155	155	168	190	216	168	190	216	216
D4	85	105	115	115	120	120	160	160	170	160	160	170	195	220	170	195	220	220
N No to Set Screws	9	9	9	9	12	12	12	12	12	12	12	12	12	12	12	12	12	12
Set Screw Diameter	M10	M12	M14	M14	M16	M16	M18	M18	M20	M18	M18	M20	M22	M24	M20	M22	M24	M24
Tightening Torque daNm	4,9	8,6	13,5	13,5	21	21	29	29	41	29	29	41	55	71	41	55	71	71
J +0,3 0	4	4	4	4	4	4	4	4	4	4	4	4	4	4	4	4	4	4
E	117	115	115	115	115	115	127	127	127	162	162	162	162	167	169	169	169	187
L	284	282	282	302	335	335	347	347	347	412	412	412	412	417	419	419	419	457
X	102	102	102	102	135	135	135	135	135	135	135	135	135	135	135	135	135	135
Masse kg ●	15,2	18,2	20,5	29,7	31,7	44	61,5	61,5	67,5	74	74	80	90	105	103	111	125	187
MD2-GD2 kgm² ●●	0,090	0,125	0,182	0,288	0,318	0,71	1,09	1,09	1,35	1,35	1,35	1,62	2,06	2,83	2,6	3,06	3,83	8
Weight of Grease (Kg)	0,17			0,300			0,350			1				1,3			1,6	

△ Set Screws Class 8.8. NFE.

- o Long Hub also supplied
- Weight for Coupling 'T' Pilot Bored.
- MD2 for coupling 'T' with Solid Hubs