



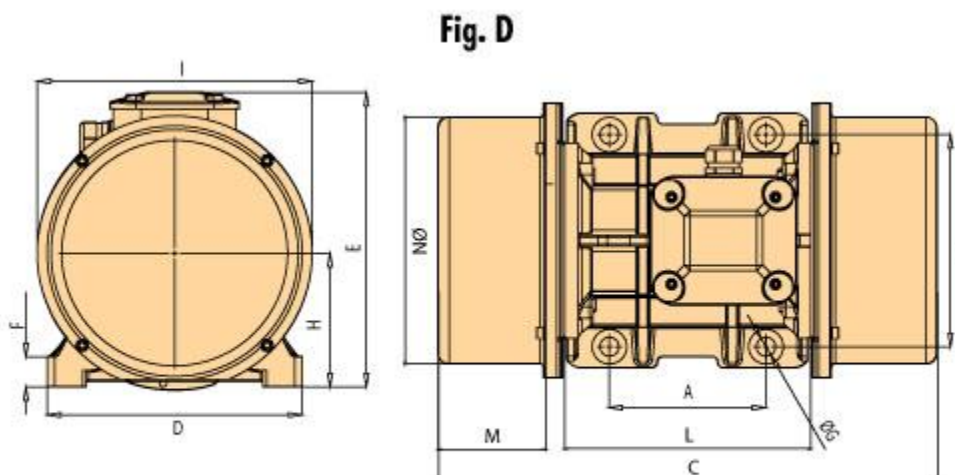
MVE 1100/15

Three Phases - 4 poles - 1500 RPM - 50 Hz
230/400 Volt



Mechanical Features		Electric Features	
General		General	
Working Moment	88.67 kgcm	Nominal Voltage	Δ : 230 V Y : 400 V
Unbalance	44.34 kgcm	Input Power	0.65 kW
FC	1114 kg	Current A Max	Δ : 2.61 A Y : 1.5 A
Bearings		Power factor	0.63
TYPE (SKF)	NJ 306	la/ln	3,8
	100% 12575	Certification	
Life(h)	80%: 26458	ETL CLASS II DIV.II GROUP F,G TENV NEMA 4	T4
	50%: >100000	ATEX II 3D Ex tc IIIC Tx IP66	T 100°
Bearing Grease		Amb Temp.	-20 ≤ T°C ≤ + 40
Lube Schedule (g)	7		
Lube Replacement (g)	14		
Grease Type	SKF LGHP2		

Dimensional Features (mm)



A	120
B	170
C	451
M	123
G	17
holes	4
D	208
E	210
F	22
H	94
I	180
L	205
N	170

Clamping
Torque(Nm)

185

[[Drawings Download](#)]

Weight(kg)	Screw	Washer	Cable Type	Cable Glante
35.8	M16	17x30	4Gx2.5	M20x1,5

REV.2-03/10/2013