

Preparation of compressed air ► Maintenance units and components

3/2-directional valve, electrically operated, Series AS2-SOV

► G 1/4 - G 3/8 ► pipe connection ► ATEX optional



IM0046156

Version	Poppet valve, Can be assembled into blocks
Nominal flow	See table below
Nominal flow, 1►2	2000 l/min
Nominal flow, 2►3	380 l/min
Working pressure min./max.	3 bar / 10 bar
Medium	Compressed air Neutral gases
Medium temperature min./max.	-10°C / +50°C
Ambient temperature min./max.	-10°C / +50°C
Sealing principle	Soft sealing
Max. particle size	25 µm
Materials:	
Housing	Polyamide
Front plate	Acrylonitrile butadiene styrene
Seals	Acrylonitrile butadiene rubber
Threaded bushing	Die cast zinc

Technical Remarks

- The pressure dew point must be at least 15 °C under ambient and medium temperature and may not exceed 3 °C.
- ATEX optional: The ATEX ID depends on the selected pilot valve.
- A short silencer is required for wall mounting (see accessories e.g. R412004817).

Operating voltage			Power consumption	Switch-on power		Holding power		
DC	AC 50 Hz	AC 60 Hz		DC	AC 50 Hz	AC 60 Hz	AC 50 Hz	AC 60 Hz
			W	VA	VA	VA		
24 V	-	-	2	-	-	-	-	-
-	110 V	110 V	-	2.2	1.6	1.6	1.4	1.4
-	220 V	230 V	-	2.2	1.6	1.6	1.4	1.4

	MO	Compressed air connection			Operating voltage			Power consumption	Hold- ing pow- er	Part No.
		Input	Output	Exhaust	DC	AC 50 Hz	AC 60 Hz			
								[W]	[VA]	
	-	G 1/4	G 1/4	G 1/4	-	-	-	-	-	R412006264
		G 3/8	G 3/8		-	-	-	-	-	R412006268
		G 1/4	G 1/4		-	-	-	-	-	R412006258
		G 3/8	G 3/8		-	-	-	-	-	R412006259
	=	G 1/4	G 1/4	G 1/4	24 V	-	-	2	-	R412006265
		G 1/4	G 1/4		-	110 V	110 V	-	1.6	R412006266
		G 1/4	G 1/4		-	220 V	230 V	-	1.6	R412006267
		G 3/8	G 3/8		24 V	-	-	2	-	R412006269
		G 3/8	G 3/8		-	110 V	110 V	-	1.6	R412006270
		G 3/8	G 3/8		-	220 V	230 V	-	1.6	R412006271
		G 1/4	G 1/4		24 V	-	-	2	-	R412006380
G 3/8	G 3/8	24 V	-	-	2	-	R412006381			

3/2-directional valve, electrically operated, Series AS2-SOV

▶ G 1/4 - G 3/8 ▶ pipe connection ▶ ATEX optional

Part No.	Holding power	Switch-on power	Switch-on power	Flow rate value	Protection class	Electr. connection	Weight	Fig.	Note
	AC 60 Hz	AC 50 Hz	AC 60 Hz	Qn		Pilot valve			
	[VA]	[VA]	[VA]	[l/min]		[kg]			
R412006264	-	-	-	2000	-	-	0.219	Fig. 1	1); 2)
R412006268	-	-	-	2000	-	-		Fig. 1	1); 2)
R412006258	-	-	-	2000	-	-		Fig. 2	1); 3)
R412006259	-	-	-	2000	-	-		Fig. 2	1); 3)
R412006265	-	-	-	2000	IP65	Plug ISO 15217, form C	0.219	Fig. 3	4); 5); 6)
R412006266	1.4	2.2	1.6	2000		Plug ISO 15217, form C		Fig. 3	4); 5); 6)
R412006267	1.4	2.2	1.6	2000		Plug ISO 15217, form C		Fig. 3	4); 5); 6)
R412006269	-	-	-	2000		Plug ISO 15217, form C		Fig. 3	4); 5); 6)
R412006270	1.4	2.2	1.6	2000		Plug ISO 15217, form C		Fig. 3	4); 5); 6)
R412006271	1.4	2.2	1.6	2000		Plug ISO 15217, form C		Fig. 3	4); 5); 6)
R412006380	-	-	-	2000		Plug M12x1		Fig. 4	4)
R412006381	-	-	-	-		Plug M12x1		Fig. 4	4)

1) Suitable for use in Ex zones 1, 2, 21, 22

2) Basic valve without pilot valve

3) Basic valve without pilot valve, with CNOMO subbase

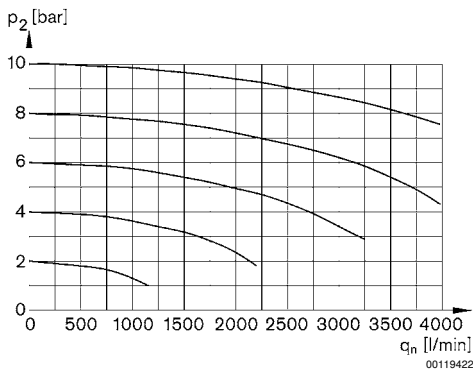
4) Basic valve with pilot valve

5) Protected against polarity reversal

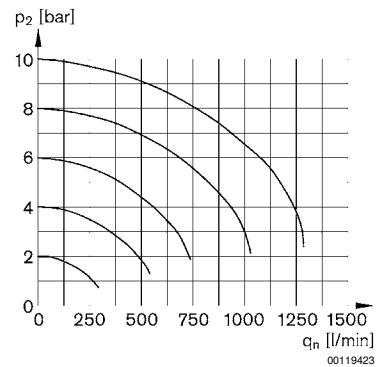
6) Connector standard: ISO 15217

Nominal flow Qn with secondary pressure p2 = 6 bar at Δp = 1 bar

Flow rate characteristic

p2 = secondary pressure
qn = nominal flow

Rear exhaust

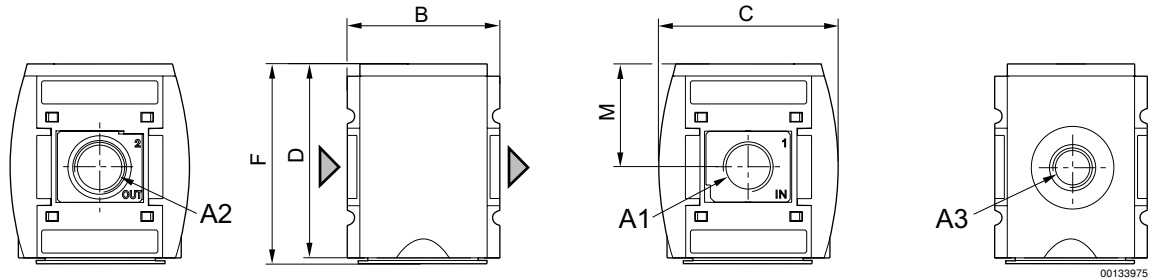
p2 = secondary pressure
qn = nominal flow

Preparation of compressed air ► Maintenance units and components

3/2-directional valve, electrically operated, Series AS2-SOV

► G 1/4 - G 3/8 ► pipe connection ► ATEX optional

Fig. 1: 3/2-directional valve without pilot valve with porting configuration for series DO16



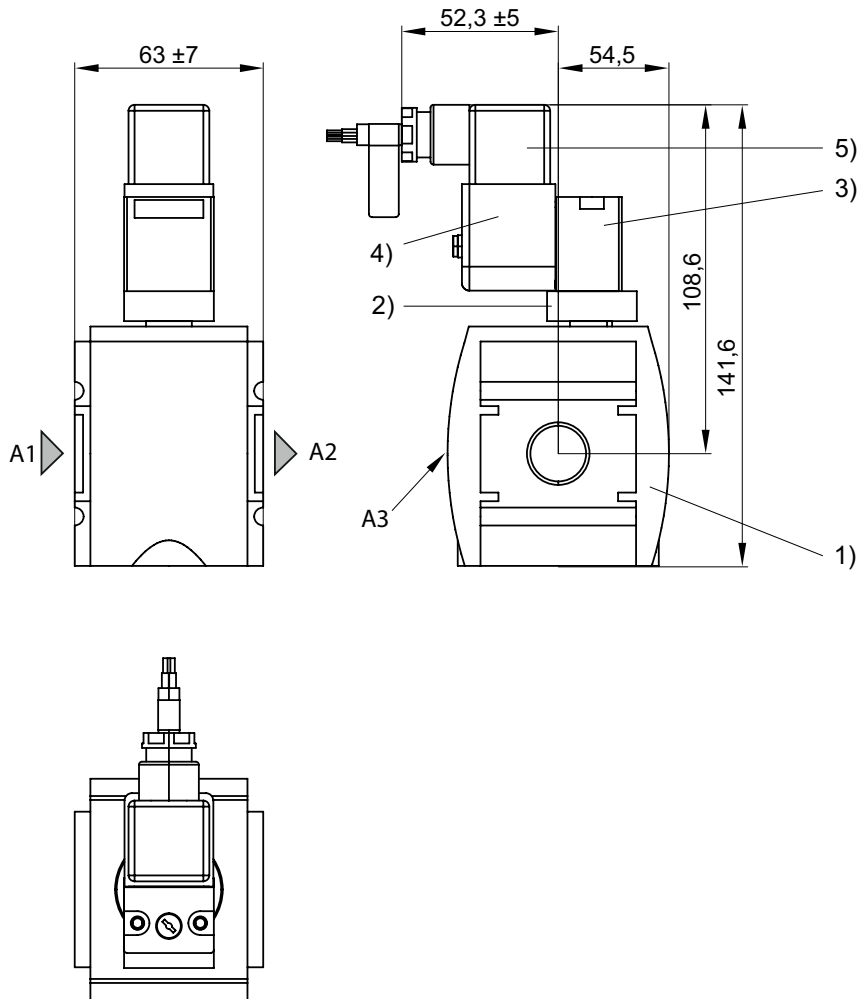
A1 = input
 A2 = output
 A3 = ventilation port

A1	A2	A3	B	C	D	F	M						
G 1/4	G 1/4	G 1/4	52	59	65	67	34						
G 3/8	G 3/8	G 1/4	52	59	65	67	34						

3/2-directional valve, electrically operated, Series AS2-SOV

▶ G 1/4 - G 3/8 ▶ pipe connection ▶ ATEX optional

Fig. 2: 3/2 directional valve with transition plate (suitable for ATEX)



- A1 = input
 A2 = output
 A3 = ventilation port
 1) Shut-off valve
 2) Transition plate
 3) Pilot valve
 4) Coil
 5) Electrical connector
 See accessories for pilot valve and coil

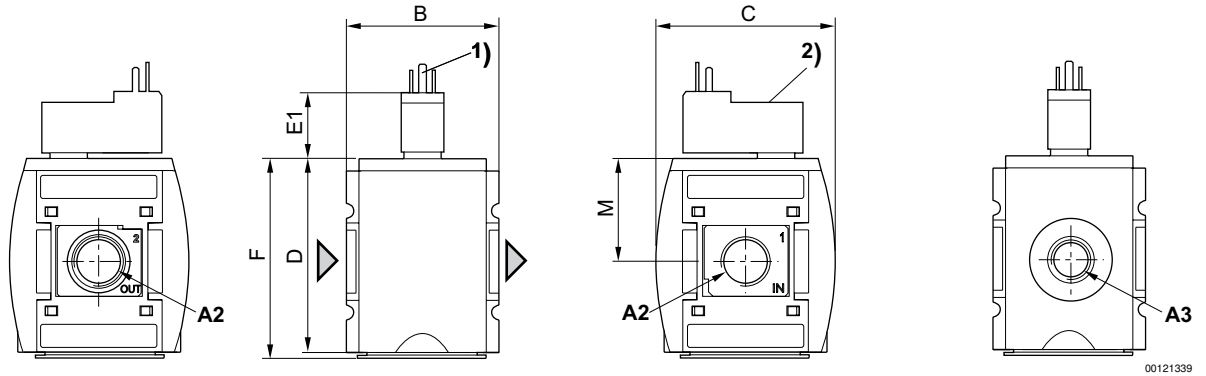
IM0046483

Preparation of compressed air ► Maintenance units and components

3/2-directional valve, electrically operated, Series AS2-SOV

► G 1/4 - G 3/8 ► pipe connection ► ATEX optional

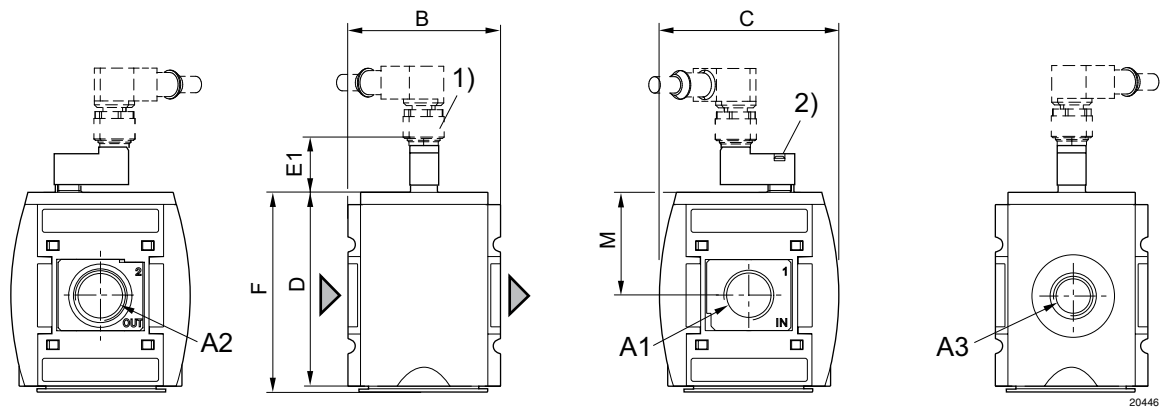
Fig. 3: 3/2-directional valve with pilot valve and port for electrical connector form C



- A1 = input
- A2 = output
- A3 = ventilation port
- 1) For electrical connector according to ISO 15217 (form C)
- 2) Manual override

A1	A2	A3	B	C	D	F	M						
G 1/4	G 1/4	G 1/4	52	59	65	67	34						
G 3/8	G 3/8	G 1/4	52	59	65	67	34						

Fig. 4: 3/2-directional valve with pilot valve, push-in fitting M12x1



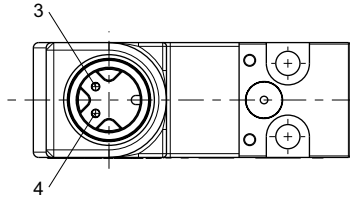
- A1 = input
- A2 = output
- A3 = ventilation port
- 1) plug M12
- 2) Manual override

A1	A2	A3	B	C	D	E1	F	M					
G 1/4	G 1/4	G 1/4	52	59	65	39	67	34					

3/2-directional valve, electrically operated, Series AS2-SOV

▶ G 1/4 - G 3/8 ▶ pipe connection ▶ ATEX optional

Pin assignment M12x1



20438

3: +/-

4: +/-