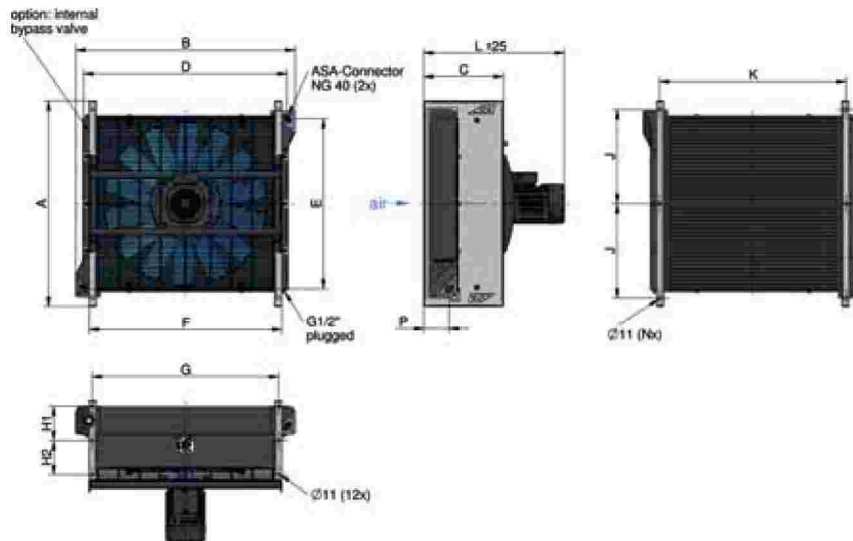


Oil / Air Cooler ASA Series

230/400V 50Hz AC



Dimensions

order number	description	A	B	C	D	E	F	G	H1	H2	J	K	N	L	P	weight
		[mm]	[mm]	[mm]	[mm]	[mm]	[mm]	[mm]	[mm]	[mm]	[mm]	[mm]		[mm]	[mm]	[kg]
ASA0177AA64	ASA 0177 0,18kW AC	530	582	260	534	412	462	442	120	90	490	442	4	486	89	39,3
ASA0177AA44	ASA 0177 0,25kW AC	530	582	260	534	412	462	442	120	90	490	442	4	486	89	40,7
ASA0177AA25	ASA 0177 0,55kW AC	530	582	260	534	412	462	442	120	90	490	442	4	486	89	40,5
ASA0257AA66	ASA 0257 0,37kW AC	635	682	270	634	501	562	542	110	110	280	542	6	531	93	48,7
ASA0257AA47	ASA 0257 0,75kW AC	635	682	270	634	501	562	542	110	110	280	542	6	531	93	48,4
ASA0367AA66	ASA 0367 0,37kW AC	720	770	280	720	596	676	656	120	120	330	656	6	541	90	63
ASA0367AA47L	ASA 0367 0,75kW AC*	720	770	280	720	596	676	656	120	120	330	656	6	541	90	59,5
ASA0367AA47	ASA 0367 0,75kW AC	720	770	280	720	596	676	656	120	120	330	656	6	541	90	64,1
ASA0467AA66	ASA 0467 0,37kW AC	785	837	290	789	727	758	738	125	125	375	738	10	544	94	77,2
ASA0467AA47	ASA 0467 0,75kW AC	785	837	290	789	727	758	738	125	125	375	738	10	574	94	86,0
ASA0467AA4A	ASA 0467 2,20kW AC	785	837	290	789	727	758	738	125	125	375	738	10	622,3	94	107,2
ASA0567AA66	ASA 0567 0,37kW AC	860	920	290	870	746	826	806	125	125	400	806	10	570	92	79,5
ASA0567AA47	ASA 0567 0,75kW AC	860	920	290	870	746	826	806	125	125	400	806	10	570	92	80,6
ASA0567AA4A	ASA 0567 2,20kW AC	860	920	290	870	746	826	806	125	125	400	806	10	634	92	113,5
ASA0927AA6A	ASA 0927 1,50kW AC	1100	1165	320	1120	921	1058	1031	130	130	504,5	1031	10	664	87	161,4
ASA0927AA6E	ASA 0927 4,00kW AC	1100	1165	320	1120	921	1058	1031	130	130	504,5	1031	10	760	87	203,6

Technical Data

order number	description	current	motor power	motor size	protection level	rotation	air flow	noise level	optional internal bypass (2bar)
		[A]	[kW]			[rpm]	[kg/s]	[db(A)]	cooler order number
ASA0177AA64	ASA 0177 0,18kW AC	0,88	0,18	71	IP 55	925	0,39	62	ASA0177AA64
ASA0177AA44	ASA 0177 0,25kW AC	0,75	0,25	71	IP 55	1330	0,57	74	ASA0177AA44
ASA0177AA25	ASA 0177 0,55kW AC	1,33	0,55	71	IP 55	2740	0,82	91	ASA0177AA25
ASA0257AA66	ASA 0257 0,37kW AC	1,22	0,37	80	IP 55	925	0,75	68	ASA0257AA66
ASA0257AA47	ASA 0257 0,75kW AC	1,81	0,75	80	IP 55	1430	1,14	79	ASA0257AA47
ASA0367AA66	ASA 0367 0,37kW AC	1,22	0,37	80	IP 55	925	0,94	73	ASA0367AA66
ASA0367AA47L	ASA 0367 0,75kW AC*	1,81	0,75	80	IP 55	1430	1,20	79	ASA0367AA47L
ASA0367AA47	ASA 0367 0,75kW AC	1,81	0,75	80	IP 55	1430	1,47	83	ASA0367AA47
ASA0467AA66	ASA 0467 0,37kW AC	1,22	0,37	80	IP 55	925	1,12	74	ASA0467AA66
ASA0467AA47	ASA 0467 0,75kW AC	1,81	0,75	80	IP 55	1430	1,77	84	ASA0467AA47
ASA0467AA4A	ASA 0467 2,20kW AC	4,80	2,20	100	IP 55	1455	2,20	88	ASA0467AA4A
ASA0567AA66	ASA 0567 0,37kW AC	1,22	0,37	80	IP 55	925	1,21	74	ASA0567AA66
ASA0567AA47	ASA 0567 0,75kW AC	1,81	0,75	80	IP 55	1430	1,89	84	ASA0567AA47
ASA0567AA4A	ASA 0567 2,20kW AC	4,8	2,20	100	IP 55	1455	2,80	88	ASA0567AA4A
ASA0927AA6A	ASA 0927 1,50kW AC	3,44	1,50	100	IP 55	955	4,73	86	not available
ASA0927AA6E	ASA 0927 4,00kW AC	8,5	4,00	132	IP 55	965	6,86	89	not available

* ... low noise version

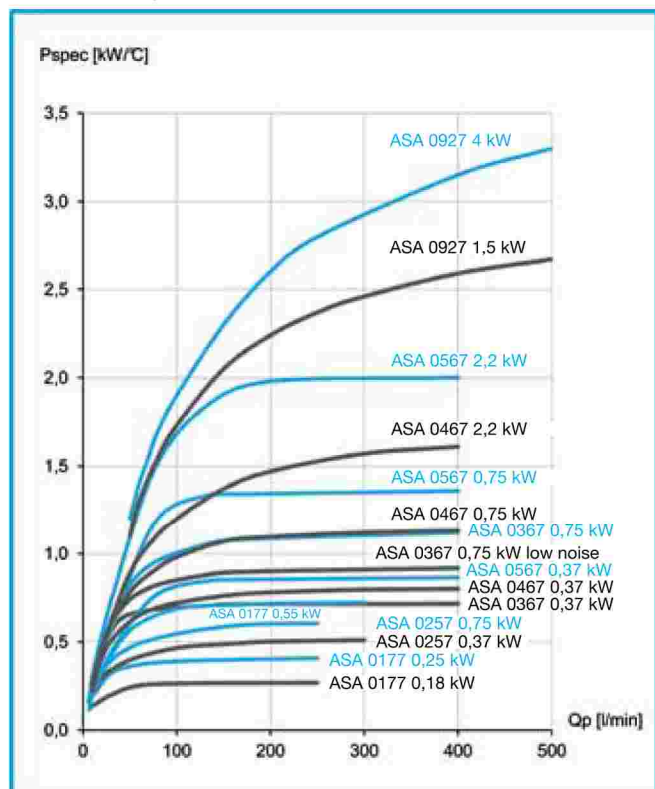
This data sheet shows a technical overview of our products. Please contact us if more exact information is needed. As we are constantly improving our products, their characteristics, dimensions and weights may also change, although we do our best to incorporate these changes continually. The information in this data sheet is intended to be used as a first general guideline only. asa assumes no liability for any information therein, any errors, omissions, misprints, nor any direct or indirect damages, losses or costs resulting therefrom. The cooling performance and the general technical values indicated in this catalogue are measured at a test bench according to asa testing procedures. Because there is no standardized testing procedure, tests used by other manufacturers could have different results. Due to different conditions in testing and application environments the cooling performance may also vary by +/- 15%. Therefore we recommend all coolers to be checked under the system operating conditions. This is also true of vibrations and mechanical stress as well as for pressure peaks and thermal stress and any other relevant factors.

Oil / Air Cooler ASA Series

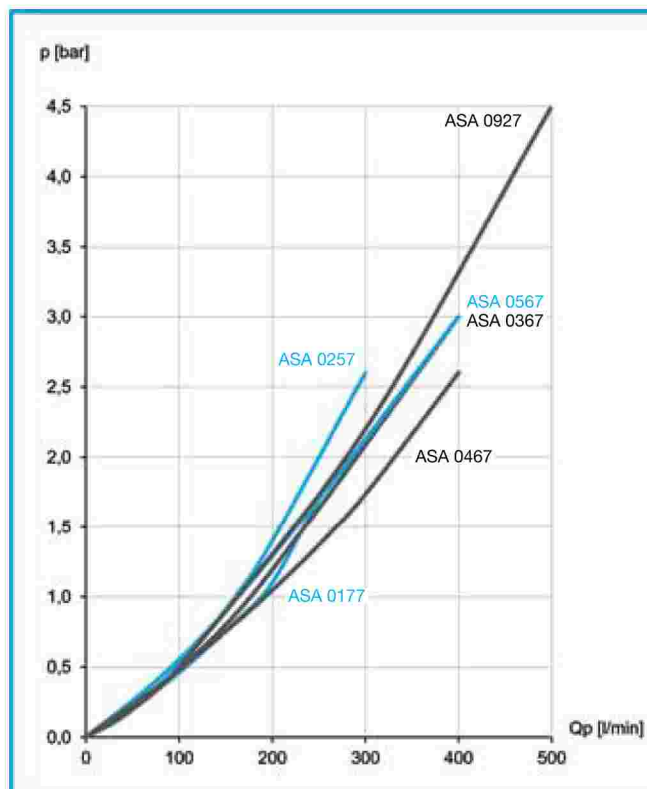
230/400V 50Hz AC

Performance

Specific cooling performance



Pressure drop at 30cSt



Radiator

material:	aluminium
working temperature range:	-20°C to +80°C (oil temperature)
air fin shape:	wavy
working pressure:	26 bar (static)

Options

motor data	alternative voltages, frequencies, IP classes, etc on request
temperature switch	ILLZTH4765K, ILLZTH6065K (page 38)
tread plate & radiator guard	see page 35
internal bypass	alternative bypass settings (0,5bar / 3,5bar)
intermediate plate NG 40	ILLZASA40-40G12 (page 33)

Installation System (see more information on page 33)

connection BSP 1 1/4"	ILLZASA32G32 (2 pieces per cooler required)
connection BSP 1 1/2"	ILLZASA40G40 (2 pieces per cooler required)
connection UNF 1 5/8"	ILLZASA32U20 (2 pieces per cooler required)
connection UNF 1 7/8"	ILLZASA40U24 (2 pieces per cooler required)



This data sheet shows a technical overview of our products. Please contact us if more exact information is needed. As we are constantly improving our products, their characteristics, dimensions and weights may also change, although we do our best to incorporate these changes continually. The information in this data sheet is intended to be used as a first general guideline only. asa assumes no liability for any information therein, any errors, omissions, misprints, nor any direct or indirect damages, losses or costs resulting therefrom. The cooling performance and the general technical values indicated in this catalogue are measured at a test bench according to asa testing procedures. Because there is no standardized testing procedure, tests used by other manufacturers could have different results. Due to different conditions in testing and application environments the cooling performance may also vary by +/- 15%. Therefore we recommend all coolers to be checked under the system operating conditions. This is also true of vibrations and mechanical stress as well as for pressure peaks and thermal stress and any other relevant factors.

Connector Accessories ASA Series

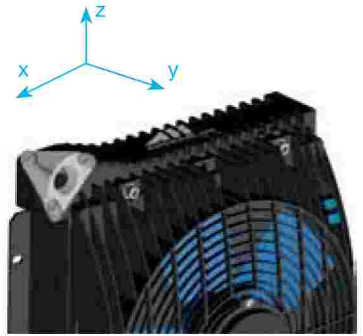
BSP, UNF

Description

The asa universal connector is a patented system that offers many possibilities regarding dimension and direction of the hydraulic connection.

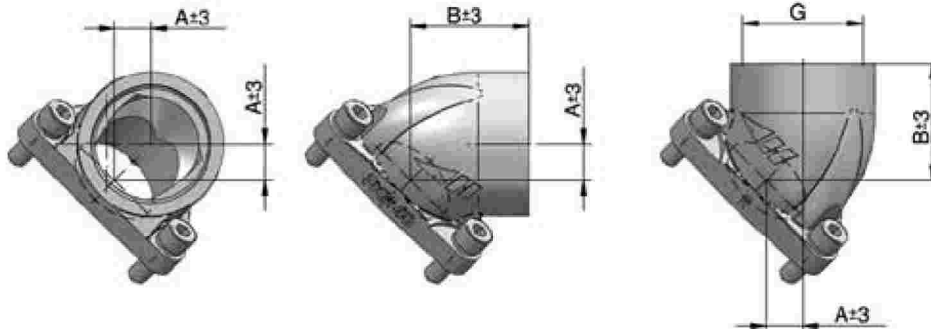
With each connector you can choose from 3 directions how to install it into the hydraulic circuit. The stream optimized design reduces the total pressure drop on the cooler. The omission of screwed joints reduces the number of sealing surfaces.

The available connector dimensions depend on the cooler size and are shown in the table below.

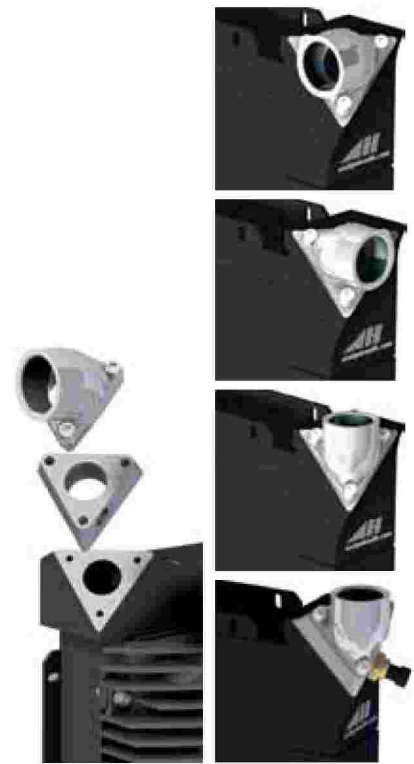
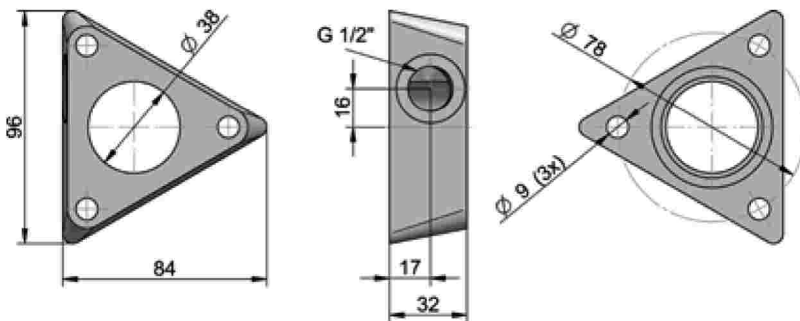


Dimensions

AUC NG 32-40



Intermediate plate NG 40



Technical Data

order number	description	A	B	G	connector material	o-ring	weight
		[mm]	[mm]				[kg]
ILLZASA32G32	AUC NG 32 – G 1 1/4"	14	34	BSP 1 1/4"	aluminium	NBR, 70 shore, 44x3mm	0,31
ILLZASA40G40	AUC NG 40 – G 1 1/2"	15	47	BSP 1 1/2"			0,29
ILLZASA32U20	AUC NG 32 – UN 15/8"	14	34	UN 15/8"			0,31
ILLZASA40U24	AUC NG 40 – UN 17/8"	15	47	UN 17/8"			0,29
ILLZASA40-40G12	intermediate plate NG 40	-	-	-			0,30

Content

asa universal connector	2x
o-ring	2x
screw	6x
spring ring	6x

Fits On Cooler Types

ASA 0177, 0257, 0367, 0467, 0567, 0927



packed size, 2 pieces

This data sheet shows a technical overview of our products. Please contact us if more exact information is needed. As we are constantly improving our products, their characteristics, dimensions and weights may also change, although we do our best to incorporate these changes continually. The information in this data sheet is intended to be used as a first general guideline only. asa assumes no liability for any information therein, any errors, omissions, misprints, nor any direct or indirect damages, losses or costs resulting therefrom. The cooling performance and the general technical values indicated in this catalogue are measured at a test bench according to asa testing procedures. Because there is no standardized testing procedure, tests used by other manufacturers could have different results. Due to different conditions in testing and application environments the cooling performance may also vary by +/- 15%. Therefore we recommend all coolers to be checked under the system operating conditions. This is also true of vibrations and mechanical stress as well as for pressure peaks and thermal stress and any other relevant factors.