

NOTE:
SET PRESSURE TO BE DEFINED AT FIRST BUBBLE

OVER 4.827 [70.0]	±3%
3.34 TO 4.827 [48.4 TO 70.0]	±0.138 [2.0]
UNDER 3.34 [48.4]	±0.1 [1.5]
SET PRESSURE RANGE BAR [PSI]	SET PRESSURE TOLERANCE BAR [PSI]
ALLOWABLE SET PRESSURE TOLERANCE TO ASME UG 134(d)(1) AND BS EN ISO 4126-1 2013	

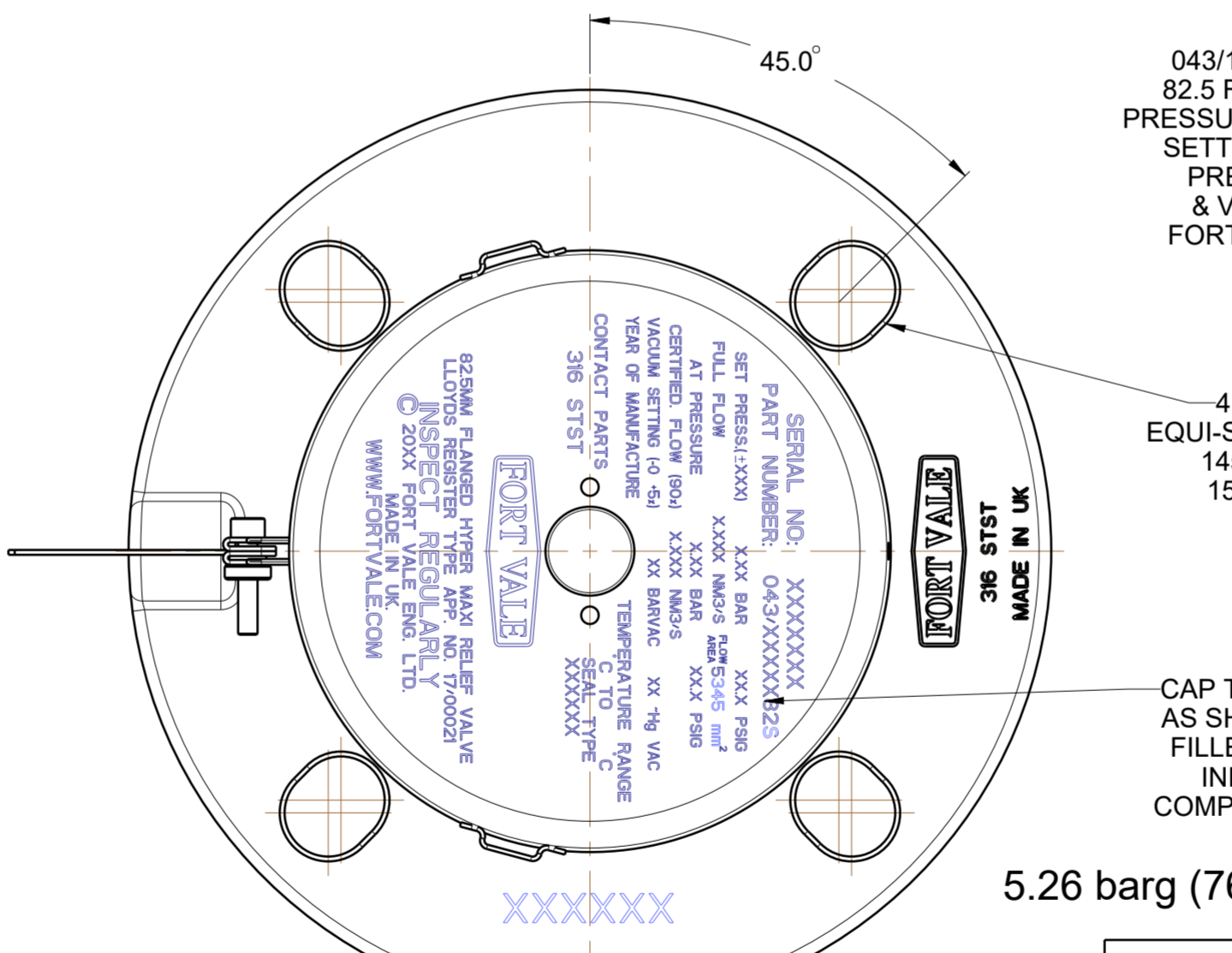
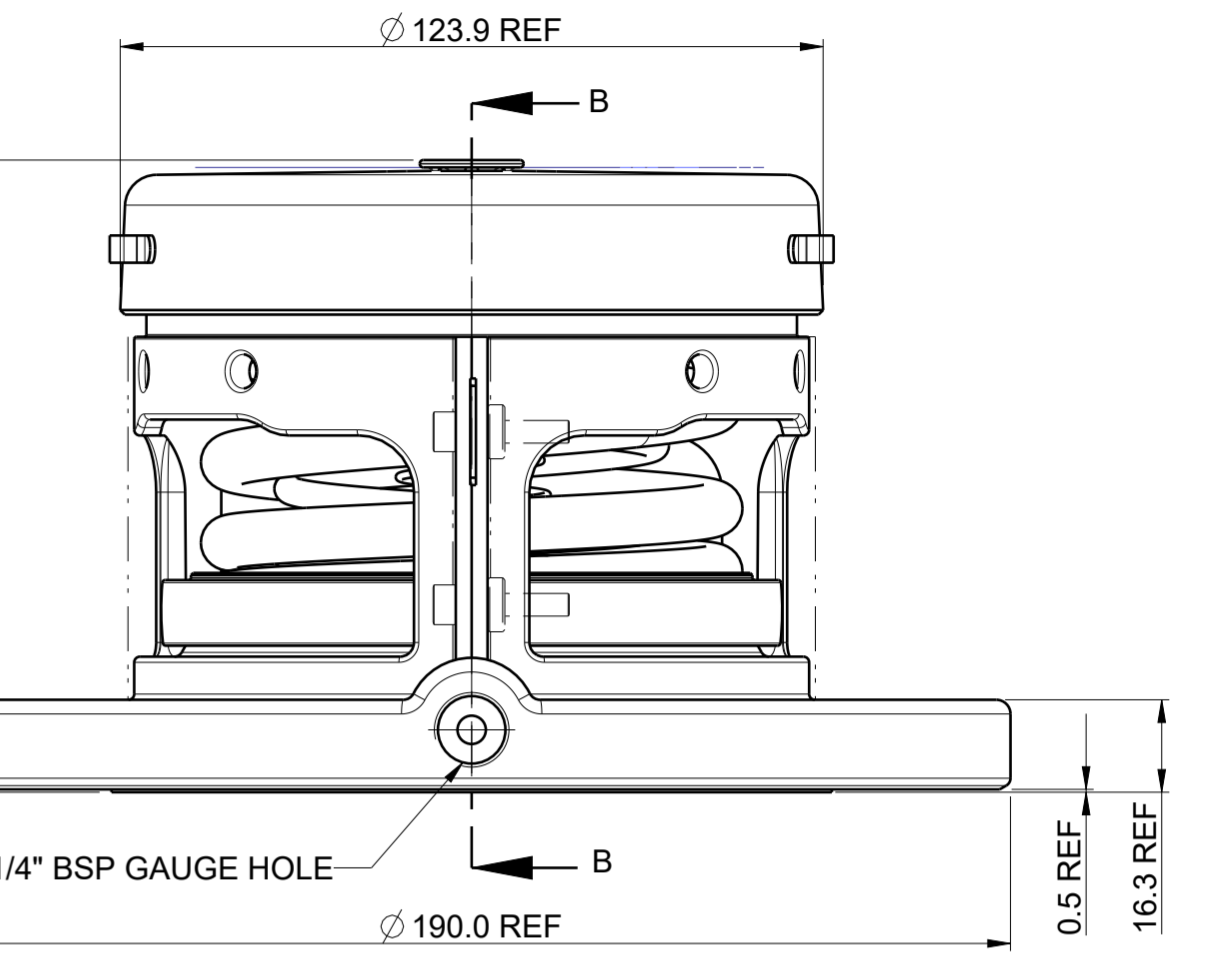
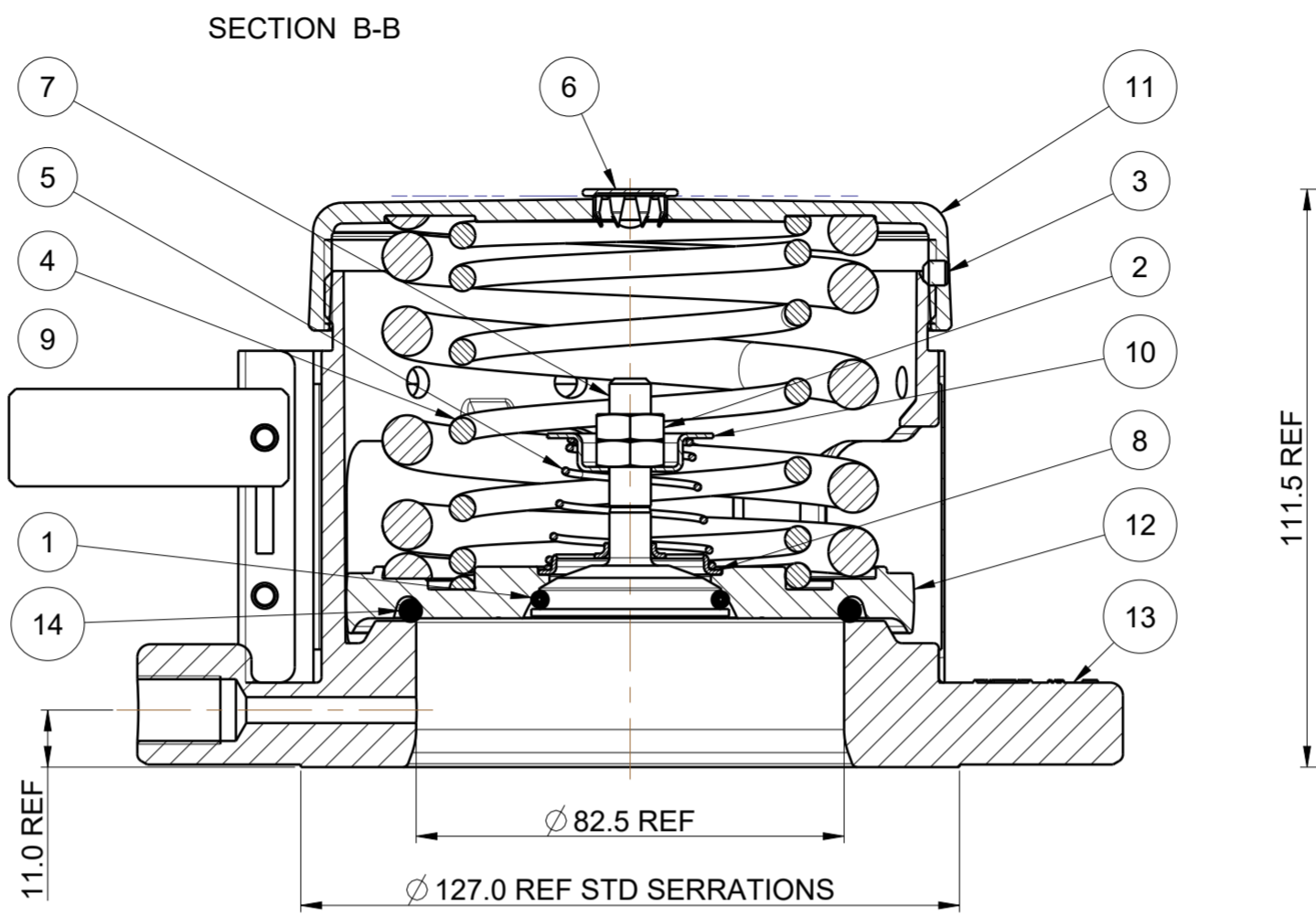
DESIGN CODE : ASME VIII DIV 1
DESIGN PRESSURE (MAWP) : 5.2 barg (75 psig)
SERVICE TEST PRESSURE : 10.1 barg (147 psig)
MAX DESIGN TEMPERATURE : SEE TABLE 3
MIN DESIGN TEMPERATURE : SEE TABLE 3

MOD	REVISION	SIG & DATE
01	PICTORIAL UPDATE	MAH 22-Aug-16
02	PART DESCRIPTION IN LASER MARK CORRECTED TO 82.5	MG 31-Oct-16
03	LLOYDS APP NO ADDED TO LASER MARKING	PGC 07/03/17

043/TXXX82S (PFA FORTYT)	ORB337F1	5005-108HPFA	-55°C (-67° F)	260°C (500° F)
043/1XXX82S (FORTYT)	ORB337F0	5005-108H	-55°C (-67° F)	200°C (392° F)
PART NUMBER	PRESSURE 'O' RING	VACUUM 'O' RING	MIN TEMP	MAX TEMP

TABLE 3

Part No	Part No	Part No	Part No	Part No	Part No	Part No	Part No	Part No	Part No
043/X70XX82S	6109-3050	SPRING PAIR	4.83	[70.0]	5.616	5.79	[84.00]	1860/107764	1860/103864
043/X64XX82S	6104-0665	SPRING PAIR	4.41	[64.0]	5.205	5.30	[76.80]	1860/107160	1860/100860
043/X63XX82S	6104-0665	SPRING PAIR	4.40	[63.8]	5.192	5.28	[76.56]	1860/107160	1860/100860
043/X58XX82S	6104-0600	SPRING PAIR	4.00	[58.0]	4.795	4.80	[69.60]	1860/107164	1860/100864
043/X56XX82S	6104-0600	SPRING PAIR	3.86	[56.0]	4.658	4.63	[67.20]	1860/107164	1860/100864
043/X55XX82S	6104-0600	SPRING PAIR	3.79	[55.0]	4.590	4.55	[66.00]	1860/107164	1860/100864
043/X54XX82S	6104-0570	SPRING PAIR	3.71	[53.8]	4.508	4.45	[64.56]	1860/107160	1860/100860
043/X52XX82S	6104-0195	6104-0310	3.59	[52.0]	4.384	4.30	[62.40]	1860/107164	1860/100864
043/X51XX82S	6104-0195	6104-0310	3.52	[51.0]	4.316	4.22	[61.20]	1860/107164	1860/100864
043/X48XX82S	6104-0485	SPRING PAIR	3.31	[48.0]	4.111	3.97	[57.60]	1860/107164	1860/100864
043/X44XX82S	6104-0485	SPRING PAIR	3.03	[44.0]	3.837	3.64	[52.80]	1860/107164	1860/100864
043/X42XX82S	6104-0195	6104-0252	2.90	[42.0]	3.700	3.48	[50.40]	1860/107164	1860/100864
043/X40XX82S	6104-0112	6104-0310	2.76	[40.0]	3.563	3.31	[48.00]	1860/107164	1860/100864
043/X39XX82S	6104-0112	6104-0310	2.69	[39.0]	3.495	3.23	[46.80]	1860/107164	1860/100864
043/X38XX82S	6104-0085	6104-0310	2.62	[38.0]	3.427	3.14	[45.60]	1860/107164	1860/100864
043/X37XX82S	6104-0067	6104-0310	2.55	[37.0]	3.358	3.06	[44.40]	1860/107164	1860/100864
043/X36XX82S	6104-0067	6104-0310	2.48	[36.0]	3.290	2.98	[43.20]	1860/107164	1860/100864
043/X32XX82S	6104-0048	6104-0310	2.19	[31.8]	3.002	2.63	[38.16]	1860/107164	1860/100864
043/X30XX82S	-	6104-0310	2.07	[30.0]	2.879	2.48	[36.00]	1860/107164	1860/100864
043/X29XX82S	-	6104-0310	2.00	[29.0]	2.811	2.40	[34.80]	1860/107164	1860/100864
043/X27XX82S	-	6104-0294	1.86	[27.0]	2.674	2.23	[32.40]	1860/107164	1860/100864
043/X25XX82S	-	6104-0252	1.72	[25.0]	2.537	2.07	[30.00]	1860/107164	1860/100864
043/X22XX82S	-	6104-0232	1.52	[22.0]	2.225	1.82	[26.40]	1860/107164	1860/100864
043/X20XX82S	-	6104-0216	1.38	[20.0]	2.095	1.66	[24.00]	1860/107164	1860/100864
043/X18XX82S	-	6104-0216	1.24	[18.0]	1.964	1.49	[21.60]	1860/107164	1860/100864
043/X15XX82S	-	6109-0674	1.03	[15.0]	1.768	1.24	[18.00]	1860/107164	1860/100864
043/X11XX82S	6109-0490	-	0.76	[11.0]	1.507	0.91	[13.20]	1860/107164	1860/100864
043/X09XX82S	6109-0400	-	0.62	[9.0]	0.508	0.84	[12.15]	1860/107164	1860/100864
043/X07XX82S	6109-0305	-	0.48	[7.0]	0.451	0.65	[9.45]	1860/107164	1860/100864
043/X05XX82S	6109-0225	-	0.34	[5.0]	0.384	0.47	[6.75]	1860/107164	1860/100864
043/X04XX82S	6109-0180	-	0.28	[4.0]	0.344	0.37	[5.40]	1860/107164	1860/100864
043/X03XX82S	6109-0145	-	0.21	[3.0]	0.299	0.28	[4.05]	1860/107164	1860/100864
043/X02XX82S	6109-0095	-	0.14	[2.0]	0.245	0.19	[2.70]	1860/107164	1860/100864
PART NUMBER	INNER PRESSURE SPRINGS	OUTER PRESSURE SPRINGS	SET PRESSURE BAR [PSI]	CERTIFIED FLOW 90% FULL FLOW NM ³ /S	OVER PRESSURE BAR [PSI]	PRESSURE PLATE	CAP NUMBER		



043/1631282S VALVE DENOTES SLOTTED 82.5 FLANGED HYPER MAXI RELIEF VALVE PRESSURE VACUUM WITH 63.8 PSIG PRESSURE SETTING & 6" HG VACUUM SETTING USING PRESSURE SPRING PAIR No 6104-0665 & VACUUM SPRING NO 7104-012 WITH FORTYT PRESSURE AND VACUUM SEALS

4 SLOTS Ø 18.0 THRU EQUI-SPACED AS SHOWN ON A 145.0 PCD [DIN65 PN10] 152.4 PCD [3" ASA 150]

CAP TO BE LASER MARKED AS SHOWN WITH X'S TO BE FILLED IN WITH CORRECT INFORMATION UPON COMPLETION OF ASSEMBLY

5.26 barg (76.3 psig) MAXIMUM SETTING

TABLE 2

Part No	Part No	Part No
043/XXX5282S	0.88 [26.0]	7104-048
043/XXX4882S	0.81 [24.0]	7104-048
043/XXX4682S	0.78 [23.0]	7104-048
043/XXX4482S	0.75 [22.0]	7104-048
043/XXX4082S	0.68 [20.0]	7104-048
043/XXX3682S	0.61 [18.0]	7104-036
043/XXX3082S	0.51 [15.0]	7104-029
043/XXX2882S	0.47 [14.0]	7104-029
043/XXX2482S	0.41 [12.0]	7104-024
043/XXX1882S	0.30 [9.0]	7104-018
043/XXX1282S	0.21 [6.2]	7104-012
043/XXX0982S	0.15 [4.5]	7104-008
043/XXX0882S	0.14 [4.0]	7104-008
043/XXX0682S	0.10 [3.0]	7104-006
043/XXX0482S	0.07 [2.0]	7104-006
043/XXX0382S	0.05 [1.5]	7104-002
043/XXX0282S	0.03 [1.0]	7104-001
043/XXX0182S	0.02 [0.5]	7104-001
PART NUMBER	VACUUM SETTING BAR [Hhg]	VACUUM SPRING

TABLE 1

Part No	Part No	Part No	Part No	Part No
14	ORB337XX	PRESSURE O RING (SEE TABLE 3)	1	SEE TABLE 3
13	1860/19SL	FLANGED MAXI BODY MACHINING	1	316 STST 1.4408
12	1860/1071XX	MAXI PRESSURE PLATE (SEE TABLE 1)	1	316L STST
11	1860/1008XX	TOP CAP MACHINING (SEE TABLE 1)	1	316L STST
10	1860/0005	VACUUM SPRING PAD	1	316 STST
9	176/2920	REMOVABLE GAUZE (SUPPLIED SEPARATE)	1	304/316 STST
8	10986/3	SPRING PAD	1	316 STST
7	10983V/3	2.5" MK3 SUPER MAXI POPPET	1	316 STST
6	10978	STAINLESS PLUG	1	ST ST
5	7104-XXX	VACUUM SPRING (SEE TABLE 2)	1	316 STST
4	610X-XXXX	SPRING PAIR (SEE TABLE 1)	1	ST ST
3	5121-001	3/16"BSW.3/16"LG SOCKETHEAD	1	304 STST
2	5112-004	M8 HALF NUT	2	304 STST
1	5005-XXX	VACUUM O RING (SEE TABLE 3)	1	VARIOUS
Index	Part Number	Description	Qty	Material

MATERIAL MUST CONFORM TO ASME SA351 CF3M, ASTM A351 CF3M(YEAR DATE) FLANGE SPECIFICATIONS COVERED BY SLOTTED FLANGE

FLANGE SPECIFICATION	DRILLING DETAILS
3.0" ASA 150	4 HOLES Ø 18.0mm THRO EQUI-SPACED ON A 152.4 PCD
3.0" TABLE D	4 HOLES Ø 18.0mm THRO EQUI-SPACED ON A 146.1 PCD
DIN 80 PN 6	4 HOLES Ø 18.0mm THRO EQUI-SPACED ON A 150.0 PCD
DIN 65 PN 10	4 HOLES Ø 18.0mm THRO EQUI-SPACED ON A 145.0 PCD

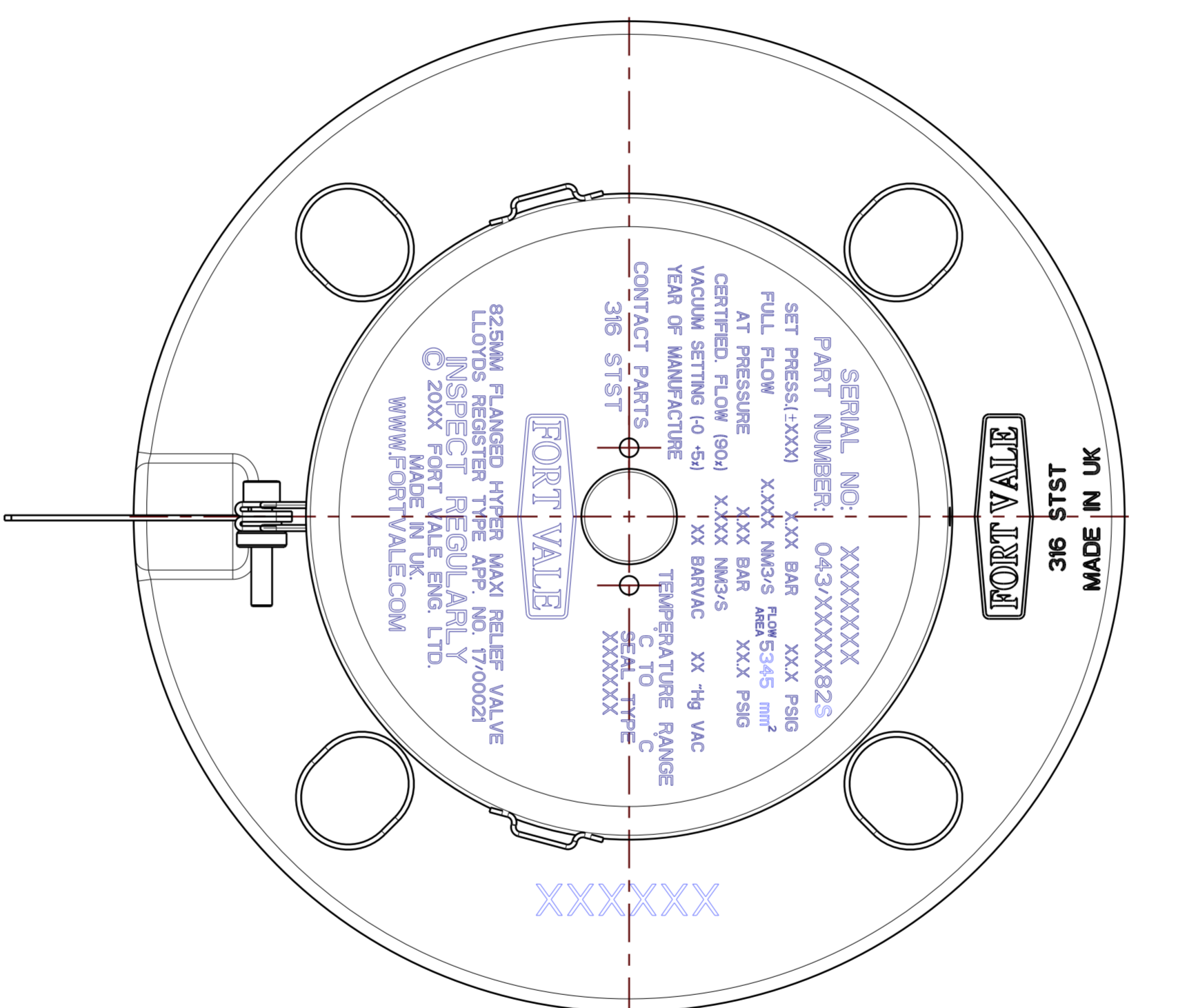
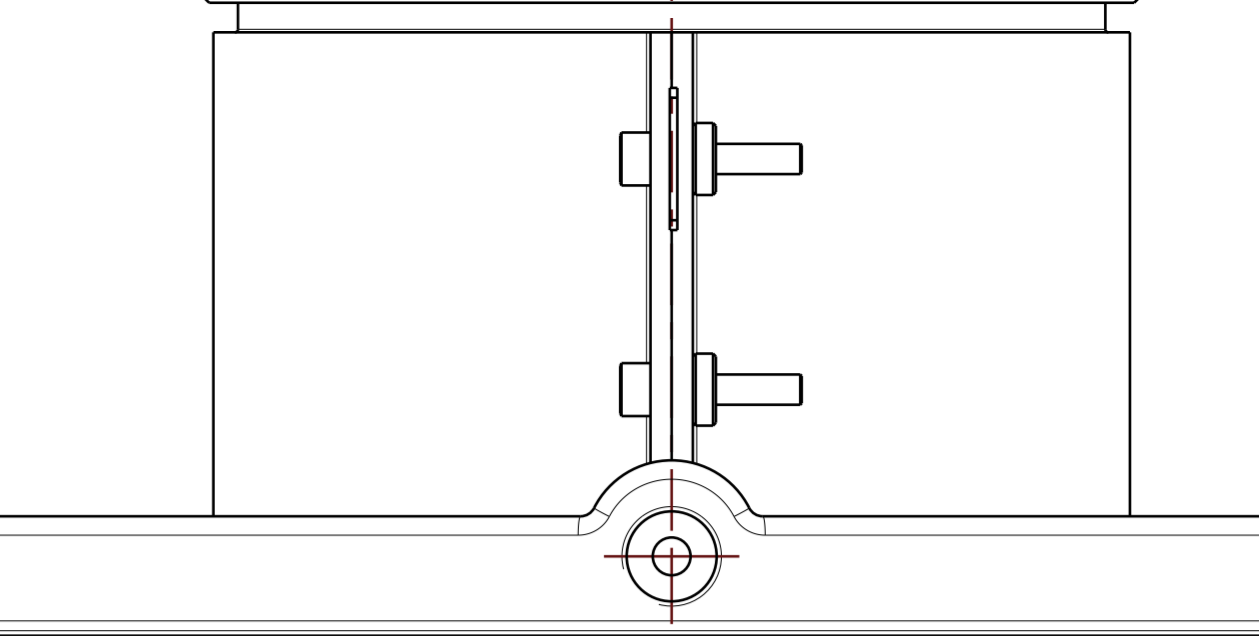
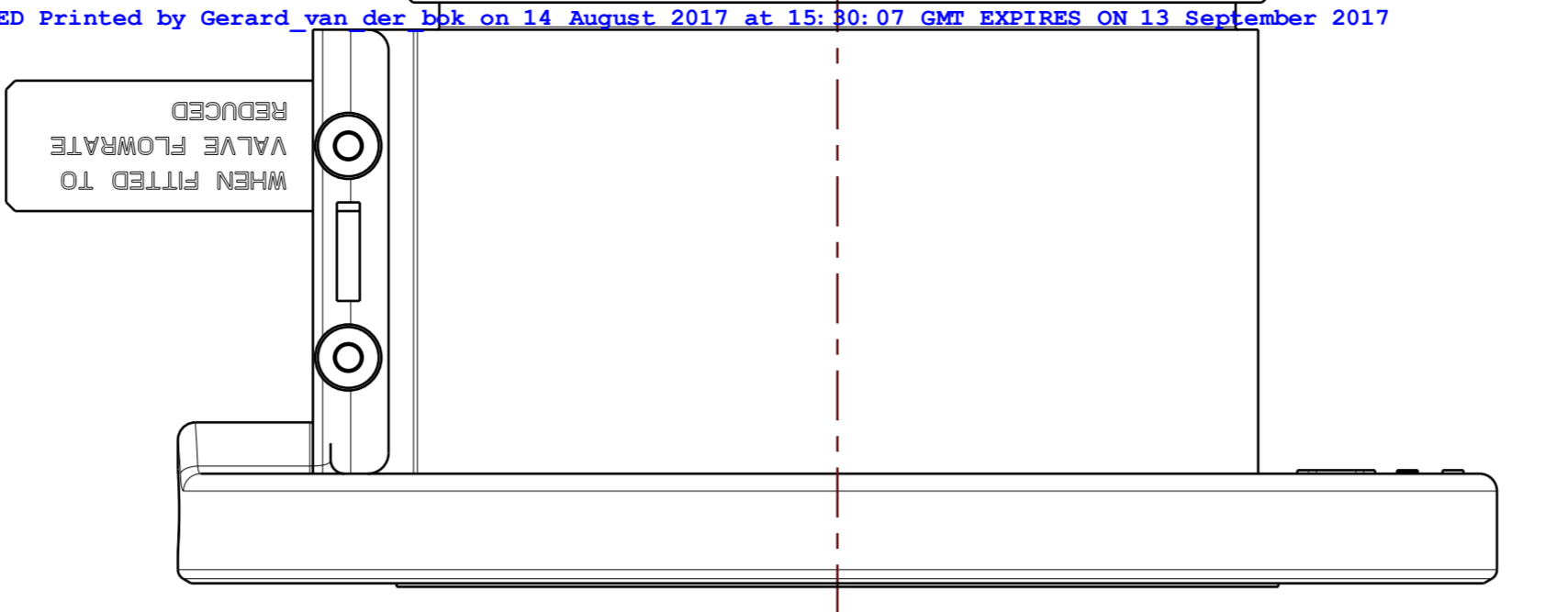
FORT VALE SALES@FORTVALE.COM WWW.FORTVALE.COM

ENGLAND, USA, CHINA
NETHERLANDS, SINGAPORE

© FORT VALE ENGINEERING LTD 2017. DO NOT SCALE- IF IN DOUBT ASK

UNLESS OTHERWISE STATED

X.X ±0.5	SURFACE FINISH 3.2um MAX	ISO9001:2008 REGISTERED FIRM: LRQ4007111	MATERIAL: VARIOUS	
X.XX ±0.25	CORNER RADII 0.8		SCALE: NTS	MASS: 7.01 kg
X.XXX ±0.125	CORNER CHAMFER 1.0 X 45°	CHECKED DVN: 29926	SHEET 1 OF 1	
ANGLES ±0.5°	REMOVE ALL BURRS AND SHARP EDGES	DRAWN BY: D BAILEY		DATE: 29-Jul-16
DESCRIPTION: 82.5mm BORE SLOTTED SUPERMAXI HIGHFLOW R/V			DRG.NO.	
TYPE: MK4 82.5mm SLOTTED FLANGED			043/XXXXX82S	



FORT VALE

The info within this dxf file is the property of Fort Vale Engineering Ltd
It is not to be copied, or the information contained herein divulged to any third party without the written permission of

FORT VALE ENGINEERING LTD.
© FORT VALE ENGINEERING LTD. 2015

THIS DXF FILE IS AN UNCONTROLLED COPY AND SUCH WILL NOT BE AUTOMATICALLY UPDATED

ENGLAND USA NETHERLANDS
BSI REGISTERED NUMBER FM 20165

DESCRIPTION
82.5mm BORE SLOTTED SUPERMAXI HIGHFLOW RV
DRG.NO. 043/XXXXX82S

