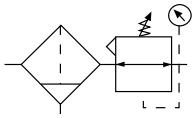


Filter / Regulator B39

= "Most Popular"

B

Filters, Regulators, Lubricators



B39-06-FL00

Features

- 5 Micron Filtration
- Balanced Valve Design
- Solid Control Piston for Extended Life
- 3/4" and 1" NPT Ports
- Port Blocks Available for BSPP Thread and 1-1/2" Port
- Quick Disconnect Bowl
- High Flow Capacities

Specifications

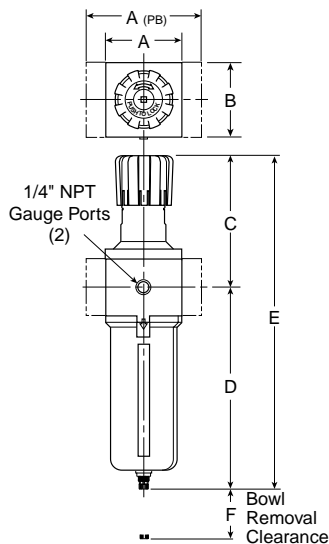
Flow Capacity*	3/4	250 SCFM (118 dm ³ /s)
	1	250 SCFM (118 dm ³ /s)
Adjusting Range Pressure	0 to 125 PSIG (0 to 8.6 bar)	
Gauge Port	NPT	1/4
Maximum Supply Pressure	250 PSIG (17.2 bar)	
Operating Temperature	32° to 175°F (0° to 80°C)	
Port Size†	NPT	3/4, 1
Standard Filtration	5 Micron	
Weight	5.3 lb. (2.4 kg)	

* Inlet pressure 100 PSIG (6.9 bar). Secondary pressure 90 PSIG (6.2 bar).
† Port blocks available for BSPP thread & 1-1/2" port.

Type "A" 5 micron elements: All Wilkerson Type "A" 5 micron elements **meet or exceed ISO Class 3** for maximum particle size and concentration of solid contaminants.

Materials of Construction

Body & Bowl	Aluminum
Element Retainer, Deflector and Baffle	Plastic
Filter Element	Sintered Polyethylene
Piston	Plastic
Seals	Nitrile
Sight Gauge	Polyamide (Nylon)
Springs	Steel
Valve Assembly	Brass / Nitrile



Dimensions

Models	Inches (mm)	A	A(PB)	B	C	D†	E†	F
Standard Unit B39-XX-FL00		3.62 (92)	5.91 (150)	3.62 (92)	6.38 (162)	9.57 (243)	15.95 (405)	4.92 (125)

† With Manual or Internal Auto Drain

⚠ WARNING

**Product rupture can cause serious injury.
Do not connect regulator to bottled gas.
Do not exceed maximum primary pressure rating.**

CAUTION:

REGULATOR PRESSURE ADJUSTMENT – The working range of knob adjustment is designed to permit outlet pressures within their full range. Pressure adjustment beyond this range is also possible because the knob is not a limiting device. This is a common characteristic of most industrial regulators, and limiting devices may be obtained only by special design. For best performance, regulated pressure should always be set by increasing the pressure up to the desired setting.

= "Most Popular"

Replacement Bowl Kits

- Metal Bowl –
- Sight Gauge / Internal Auto Drain P3NKA00BSA
- Sight Gauge / Manual Drain P3NKA00BSM

Replacement Element Kits

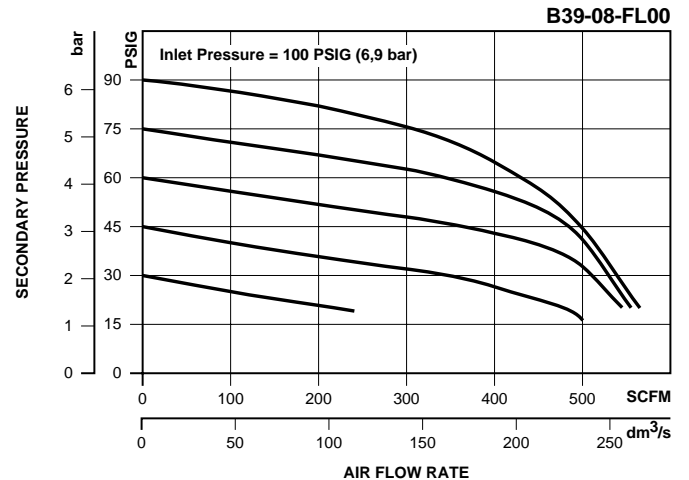
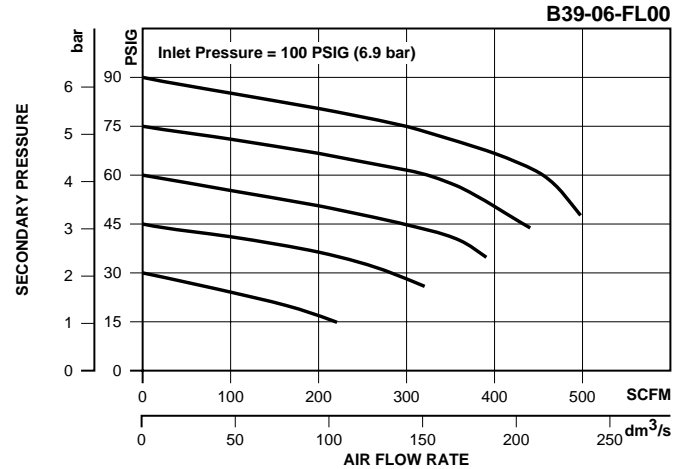
- 40 Micron P3NKA00ESG

Replacement Kits

- Service Kit –
- Relieving P3NKA00RR
- Non-relieving P3NKA00RN
- Springs –
- 1 to 60 PSIG Range C10A1304
- 2 to 125 PSIG Range C10A1308
- 5 to 250 PSIG Range C10A1317

Accessories

- Bowl Latch Kit C11A33
- Control Knob P3NKA00PN
- Drain Kit –
- Internal Auto Drain PS506
- Manual Drain PS512
- Gauges, Pressure –
- 0 to 60 PSIG (0 to 4 bar), 2" Dial Face,
1/4" NPT, CBM K4520N14060
- 0 to 160 PSIG (0 to 11 bar), 2" Dial Face,
1/4" NPT, CBM K4520N14160
- 0 to 300 PSIG (0 to 20 bar), 2" Dial Face,
1/4" NPT, CBM K4520N14300
- 0 to 160 PSIG, 1-3/4" Digital Round,
1/4" NPT K4517N14160D
- Mounting Bracket Kit P3NKA00MW
- Sight Gauge Kit P3NKA00PE



Ordering Information

Model Type	Port Size	Metal Bowl / Sight Gauge Without Gauge 2 to 125 PSIG (0.4 to 8.6 bar)	Metal Bowl / Sight Gauge With Gauge 2 to 125 PSIG (0.4 to 8.6 bar)
Manual Drain	3/4	B39-06-FL00	B39-06-FLG0
	1	B39-08-FL00	B39-08-FLG0

Options - To order an option supplied with the unit model, add the appropriate coded suffix letter in the designated position of the model number.