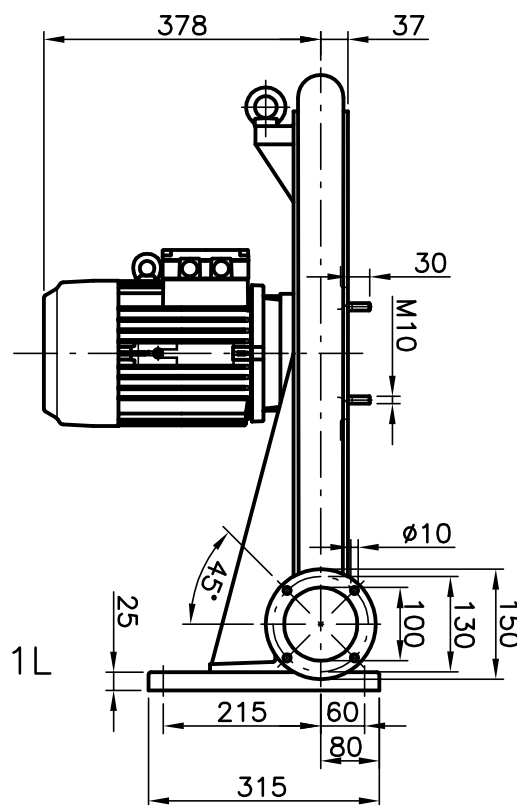
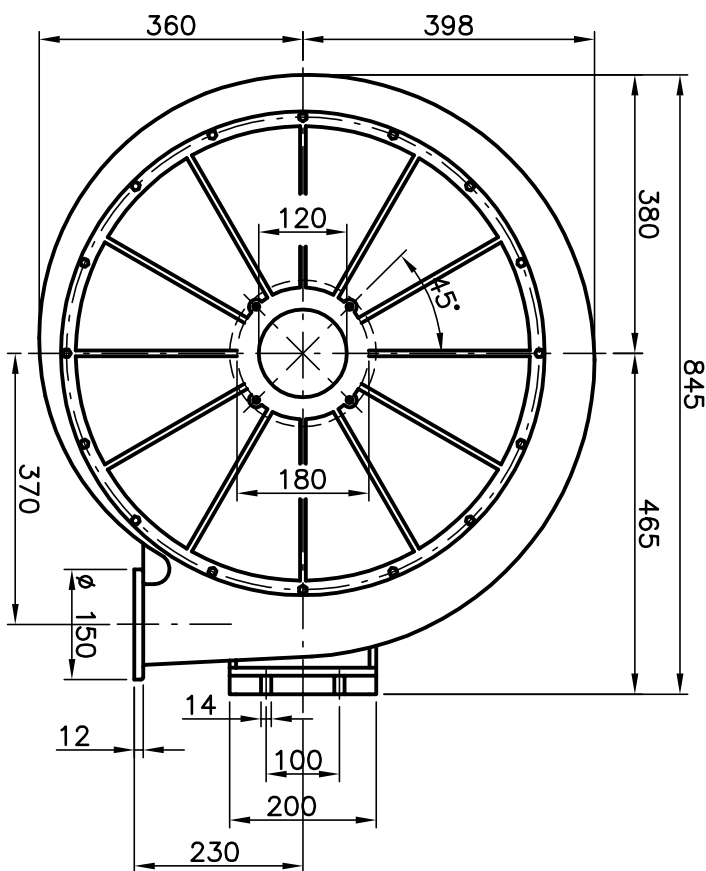
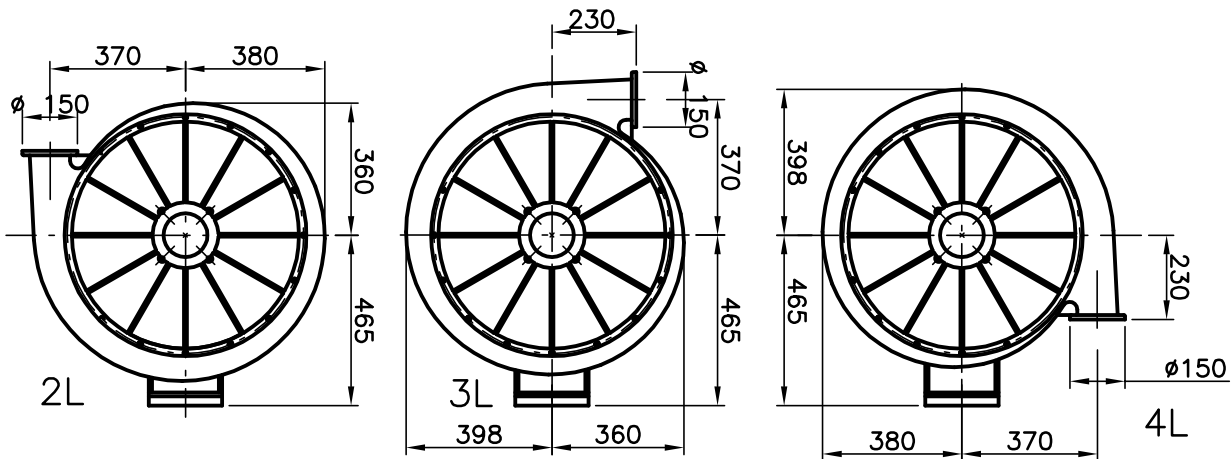


This document is confidential. The copyright is vested in Combimac B.V. Emmen, The Netherlands. All rights reserved. Neither the whole nor any part of this document may be disclosed to any third party or reproduced, stored in any retrieval system or transmitted in any form or by any means (electronic, mechanical, reprographic, recording or otherwise) without the prior written consent of the copyright owner.



Fantype : 54DZK625/S2P1
 Part nr. : 702.075
 Fanspeed : ± 2900 rpm
 Fanprotection : Ex II 3G IIB c T3 in/outside

Motor frame size : IEC 100L - B14a
 Motor power : 2.5 kW
 Motor speed : ± 2900 rpm
 Motor supply : 400V Delta-50Hz-3ph.
 Protection : insulcl.F-IPcl.55
 ATEX class : EX II 2G EEx-e-II-T3

ISSUE	QTY	DATE	DESCRIPTION		NAME
	PROJECTION	ROUGHNESS SYMBOLS ACC. ISO 1302	GENERAL TOLERANCES ACC. ISO 2768-M	GEOMETRIC TOLERANCE SYMBOLS ACC. ISO 1101	
COMBIMAC BV EMMEN-HOLLAND			Outline drawing of COMBIMAC fan. Type 54DZK625/S2P1		D.003.670
SCALE 1:10		DIMS IN mm			
DRAWN 060619 HvK		CHECKED			