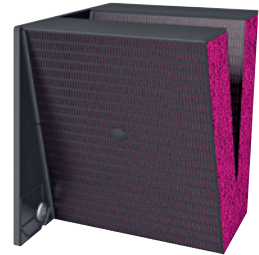
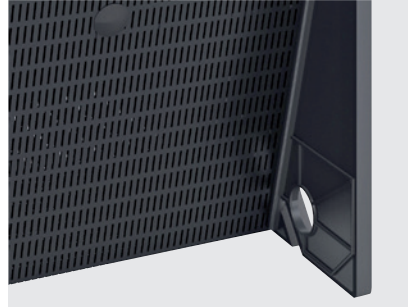
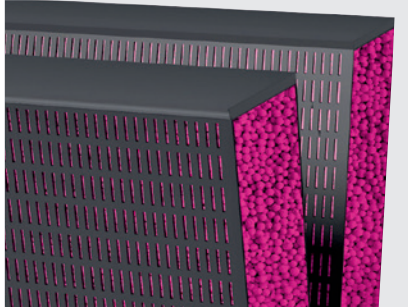


VILEDON CHEMCONTROL MODULES



GAS PHASE FILTRATION



Applications

Viledon® ChemControl Modules are the rugged plastic housings that contain our chemical filtration pellets. They come in a range of four sizes to suit all applications and are designed for easy handling and replacement. They can be supplied pre-filled, direct from our production facilities, or refilled via their easy-access removable caps.

The design of your system will determine which size of module you require. Factors that need to be taken into consideration include available space, airflow volumes, type and concentration of contaminants and desired media life. Please consult your local Viledon® partner for further information.

Proven performance and low whole-life costs

As with all Viledon® products, our ChemControl Modules offer excellent airflow performance with low pressure drops. We have designed our modules to minimize maintenance time and reduce whole-life costs.

Viledon® ChemControl Modules



CCM 1810

CCM 1805



CCM 1210

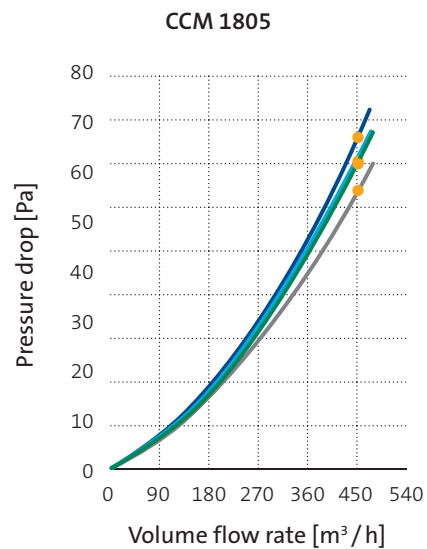
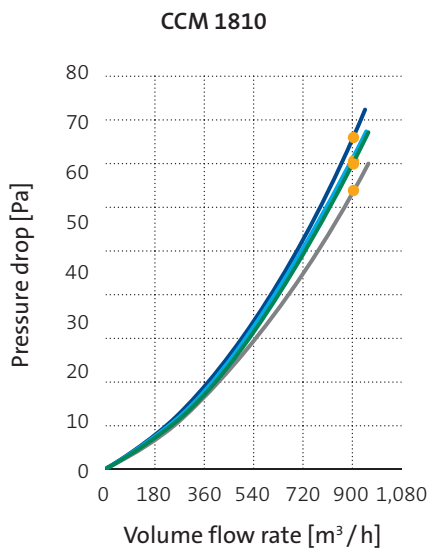
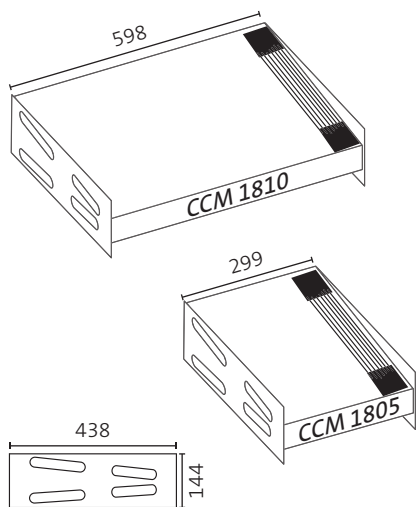
CCM 1205

AVAILABLE GEOMETRIES		CCM 1810	CCM 1805	CCM 1210*	CCM 1205
Dimensions (L×W×H)	mm	598×438×144	299×438×144	598×295×299	299×295×299
Pellet bed depth	mm	25.4		76	
DELIVERY NOTES		CCM 1810	CCM 1805	CCM 1210*	CCM 1205
Weight per module	kg	3.4	2.0	2.9	1.8
Delivery unit	pcs.	1	2	1	2

* Full-size 12" deep-bed modules are designed to hold 1 full box of pellets

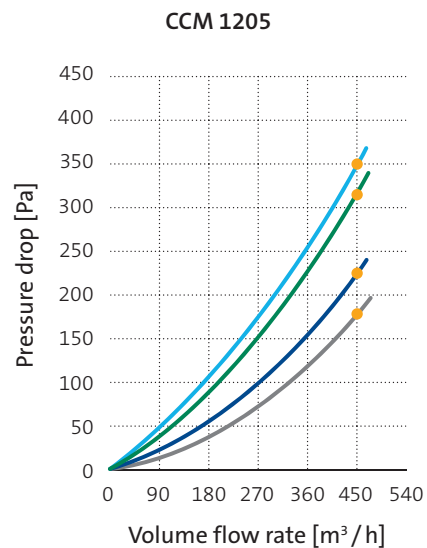
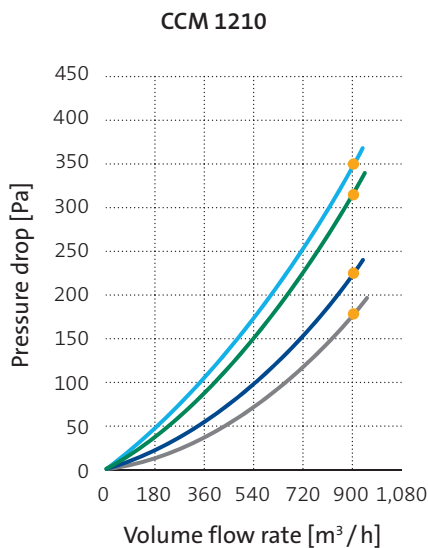
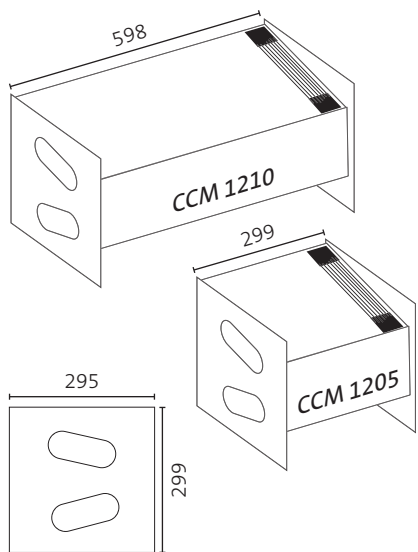
TECHNICAL FILTER TEST DATA

18XX SERIES



— CCP 104, CCP 108, CCP 210, CCP 310, CCP 510 — CCP 610 — CCP 810 — CCP 903 ● Nominal volume flow rate

12XX SERIES



— CCP 104, CCP 108, CCP 210, CCP 310, CCP 510 — CCP 610 — CCP 810 — CCP 903 ● Nominal volume flow rate

The figures given are mean values subject to tolerances due to normal production fluctuations. Our explicit written confirmation is always required for the correctness and applicability of the information involved in any particular case. Subject to technical alterations.

Freudenberg Filtration Technologies SE & Co. KG
 69465 Weinheim, Germany
 Phone +49 (0) 6201 80-6264 | Fax +49 (0) 6201 88-6299
 viledon-gasphase@freudenberg-filter.com
 www.freudenberg-filter.com

