

4V200 Series Solenoid Valve, Pneumatic Control Valve



Ordering code

4V	2	10	-	08	B	-	AC220V	-	W
Specification 4V:5/2(3) way solenoid valve 4A:5/2(3) way pneumatic control valve 3V:3/2 way solenoid valve 3A:3/2 way pneumatic control valve	Series 200 series	Coil and places 10:Single-head double-position 20:Double-head double-position 30C:Double-head three-position close centre 30E:Double-head three-position exhaust centre 30P:Double-head three-position Pressure centre		Port size 06: 1/8" 08: 1/4"	Joint pipe form and initial state Blank:Pipe connection type B:5/2 way plate connection type 5/3 way plate connection type NC:3/2 way normal close type NO:3/2 way normal open type		Coil voltage DC12V DC24V AC24V 50Hz/60Hz AC110V 50Hz/60Hz AC220V 50Hz/60Hz AC380V 50Hz/60Hz		Electrical entry Blank:Standard connector LD:Brown connector with light LD::White connector with light W: Lead wire type

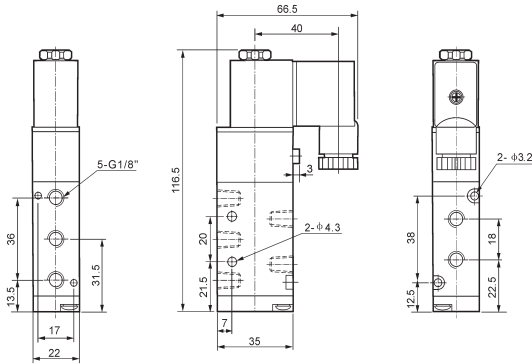
Specifications

Model	4V210-06	4V220-06	4V230C-06	4V230E-06	4V230P-06	4V210-08	4V220-08	4V230C-08	4V230E-08	4V230P-08
	4A210-06	4A220-06	4A230C-06	4A230E-06	4A230P-06	4A210-08	4A220-08	4A230C-08	4A230E-08	4A230P-08
Position and way NO.	5/2 way		5/3Five-way			5/2 way		5/3 way		
Effective area	14mm ² (CV=0.78)		12mm ² (CV=0.67)			16mm ² (CV=0.89)		12mm ² (CV=0.67)		
Model	3V210-06	3V220-06	3A210-06	3A220-06	3V210-08	3V220-08	3A210-08	3A220-08		
Position and way NO.	3/2 way				3/2 way					
Effective area	14mm ² (CV=0.78)				16mm ² (CV=0.89)					
Port size	Air inlet=Air outlet=Exhaust=G1/8"				Air inlet=Air outlet=G1/4" Exhaust=G1/8"					
Fluid	40 micron filtered air									
Operation	Inside pilot type									
Operating pressure	0.15~0.8MPa									
Max. proof pressure	1.2MPa									
Temperature	5~50℃									
Allowable voltage	±10% of rated voltage									
Power consumption	AC: 4.5VA DC: 3W									
Coil insulation & protection grade	Class F. IP65									
Electrical entry	Lead wire or connector									
Highest action frequency	5 cycle / second									
Shortest excitation time	0.05 second									

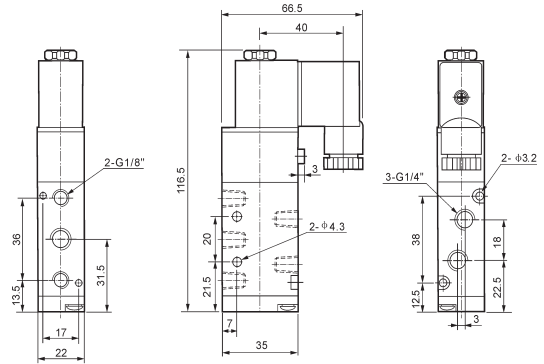
4V200 Series Solenoid Valve

Dimensions

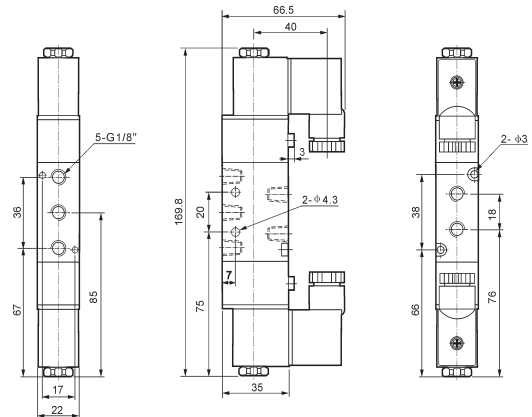
4V210-06



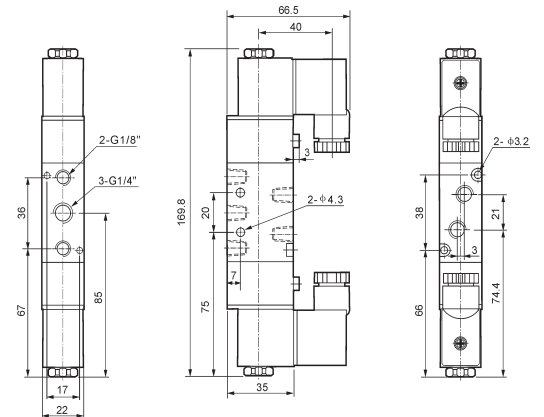
4V210-08



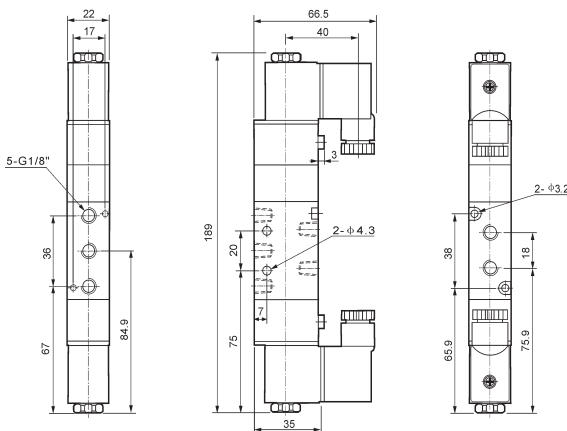
4V220-06



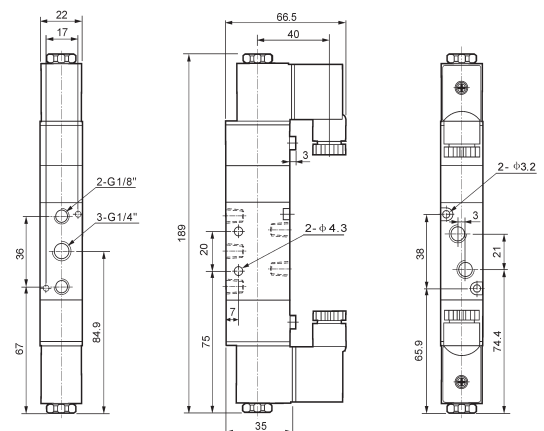
4V220-08



4V230-06



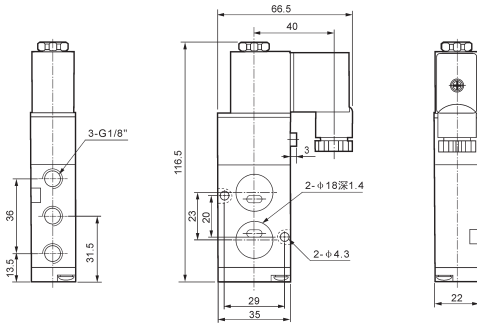
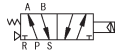
4V230-08



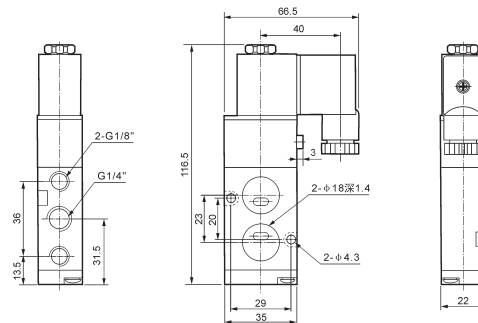
4V200 Series Solenoid Valve

Dimensions

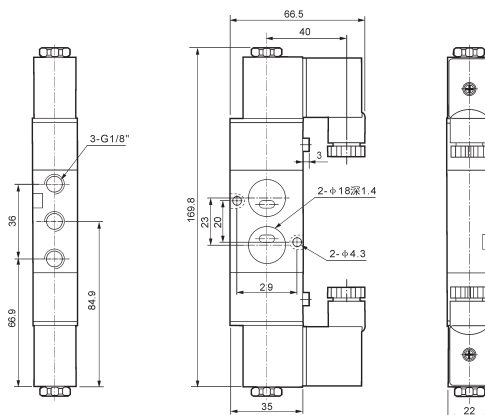
4V210-06B



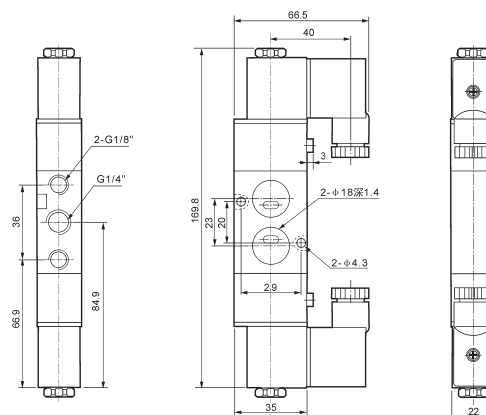
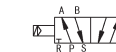
4V210-08B



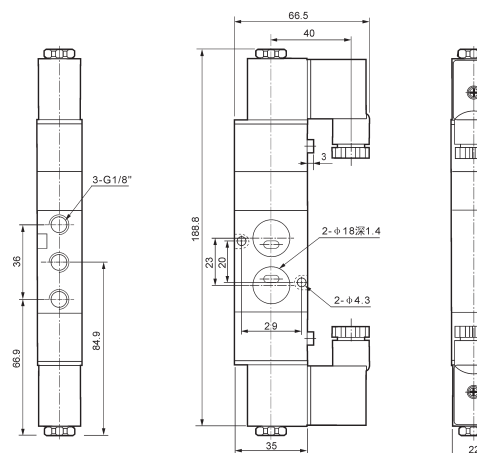
4V220-06B



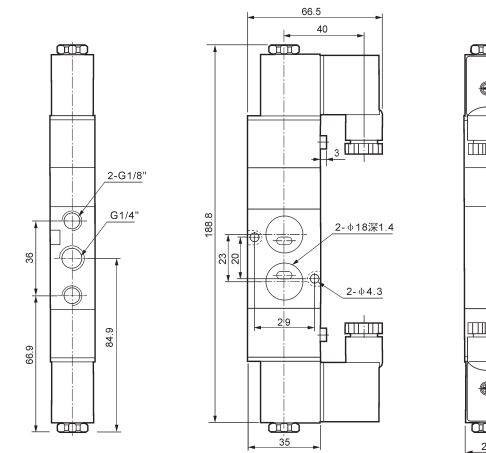
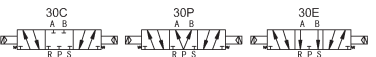
4V220-08B



4V230-06B



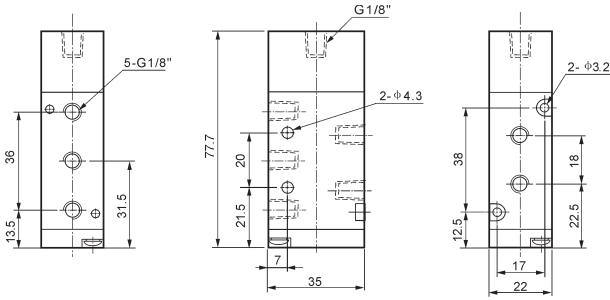
4V230-08B



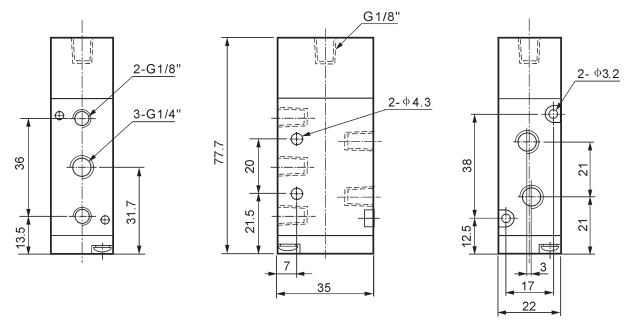
4A200 Series Pneumatic Control Valve

● Dimensions

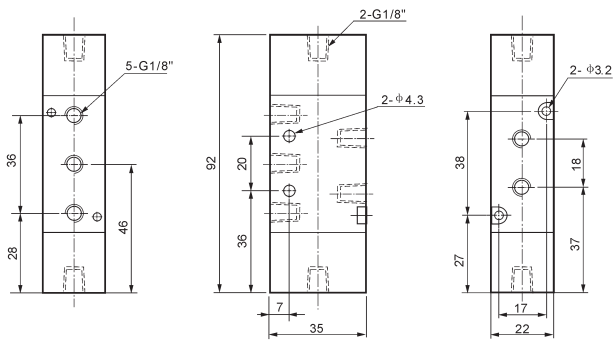
4A210-06



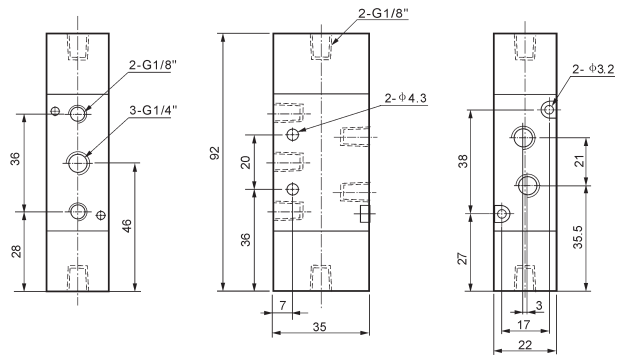
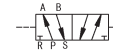
4A210-08



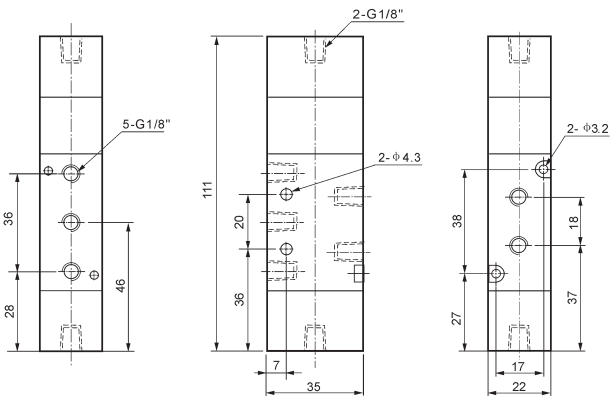
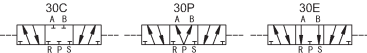
4A220-06



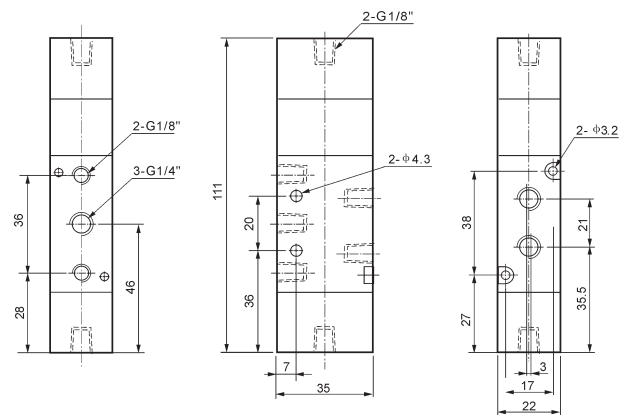
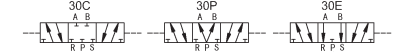
4A220-08



4A230-06



4A230-08





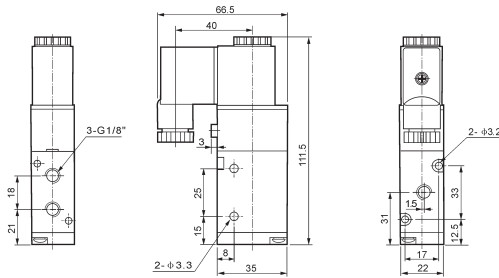
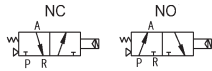
VOGUE PNEUMATICS

Ningbo Vogue Pneumatics Industry Co., Ltd.

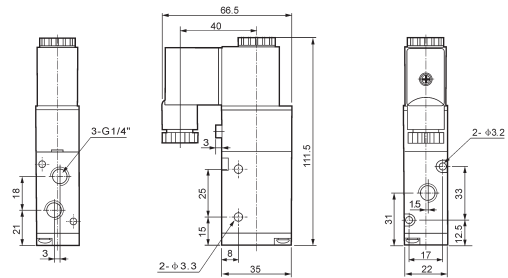
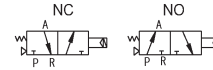
3V200 Series Solenoid Valve & 3A200 Series Pneumatic Control Valve

● Dimensions

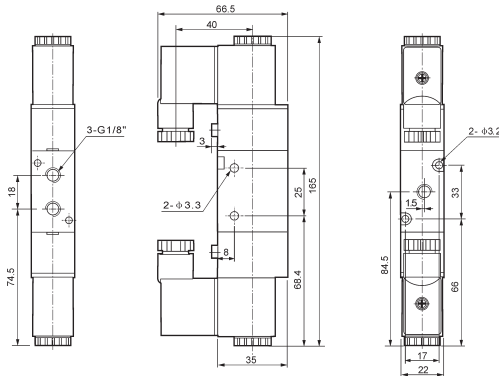
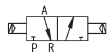
3V210-06



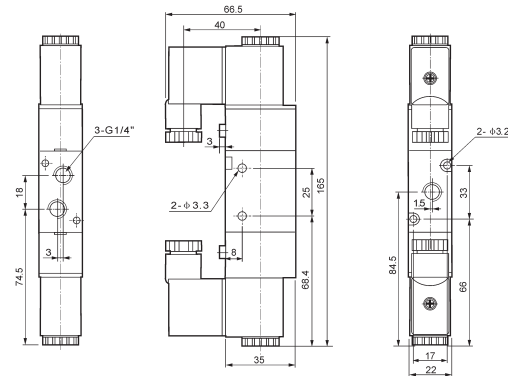
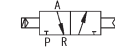
3V210-08



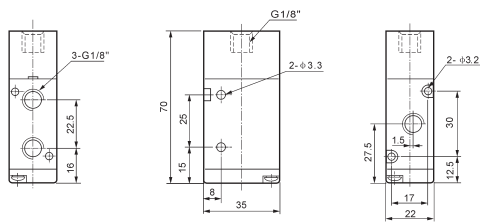
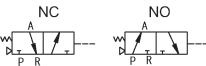
3V220-06



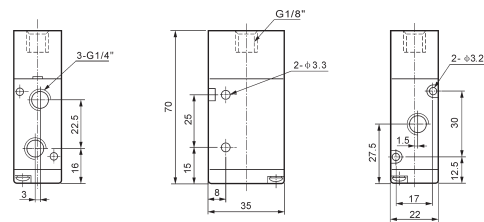
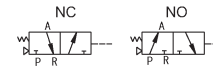
3V220-08



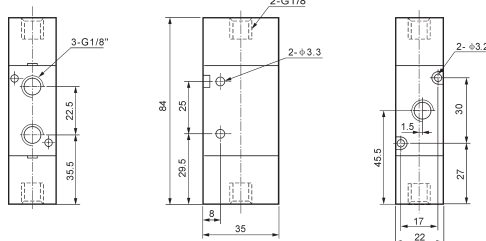
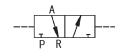
3A210-06



3A210-08



3A220-06



3A220-08

