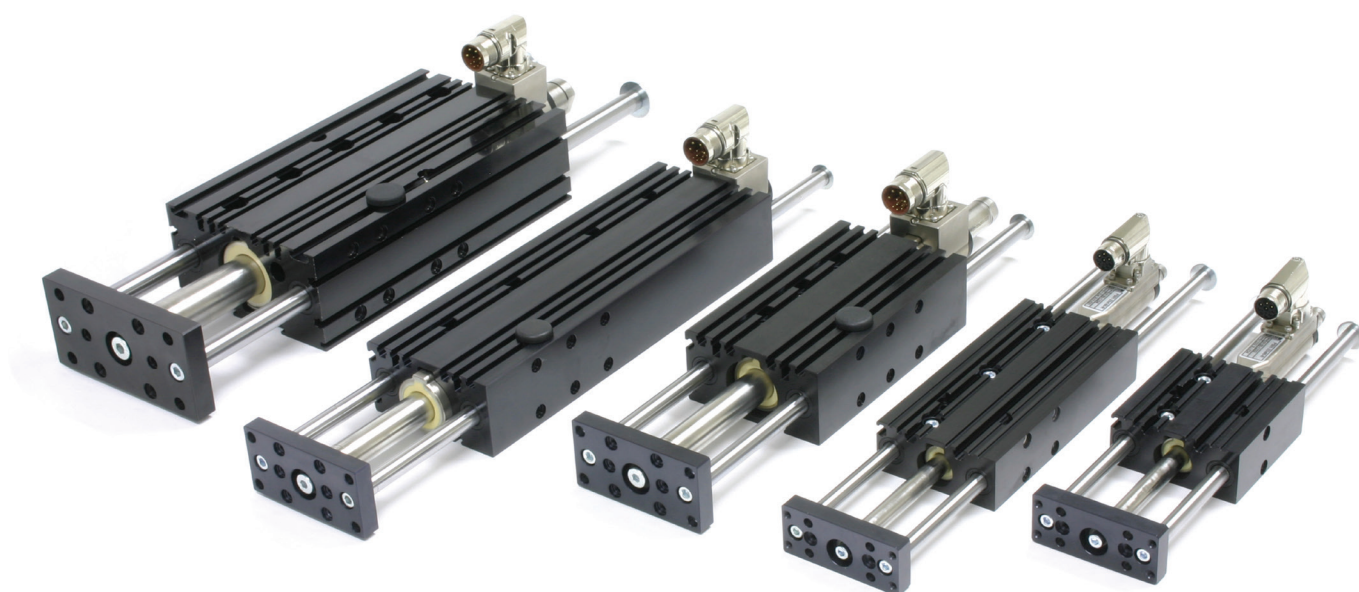


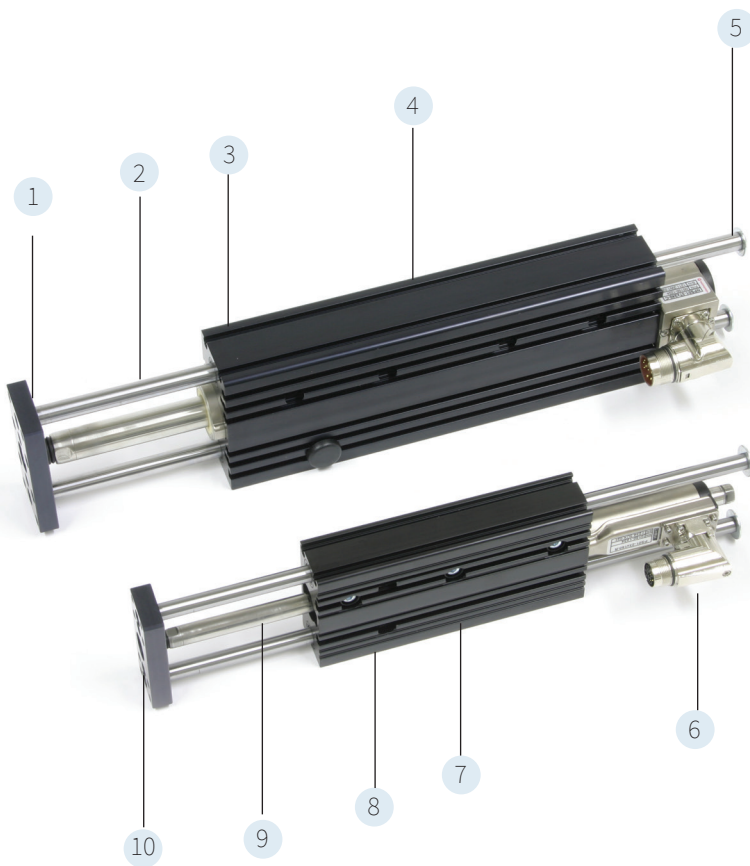
LINEAR GUIDES H01



- ✓ Bearing external forces, torque and bending moments
- ✓ Turning resistance
- ✓ Compatible with pneumatic guides
- ✓ Integrated Linear ball bearings or sintered bearings
- ✓ The load can be connected directly to the front plate

LINEAR GUIDES H01

H01-23x86	966
H01-23x166	968
H01-37x166	970
H01-37x286	972
H01-48x250	974
H01-48x370	976
Technical Data	978
Parts List	979



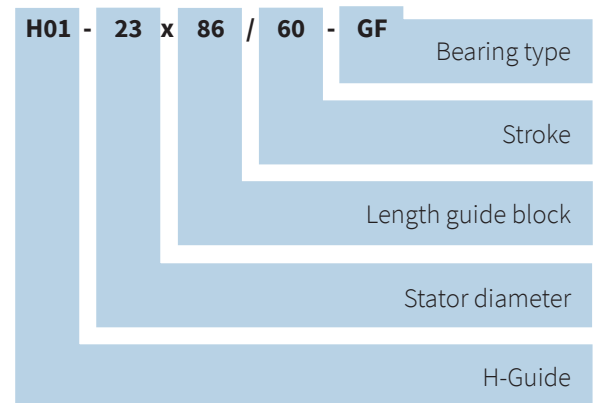
1. Mounting plate with counter bore for precise load mounting
2. Hardened or stainless steel shafts for precise positioning and quiet operation
3. Ball bearings or sintered bushings, for high load masses and long life
4. Guide block with counter bores for uncomplicated, precise mounting of the Linear Module
5. Mechanical end stop (rear)
6. Linear motor stator with integrated bearings, temperature and position sensors. Available with IP67 connector or cable exit.
7. Clamping cylinder to secure the stator in the guide block.
8. T-slots in the guide block allow simple mounting of accessories.
9. Linear motor slider, guarantees maximum force and precise positioning.
10. Integrated linear coupling for simple mounting of the slider.



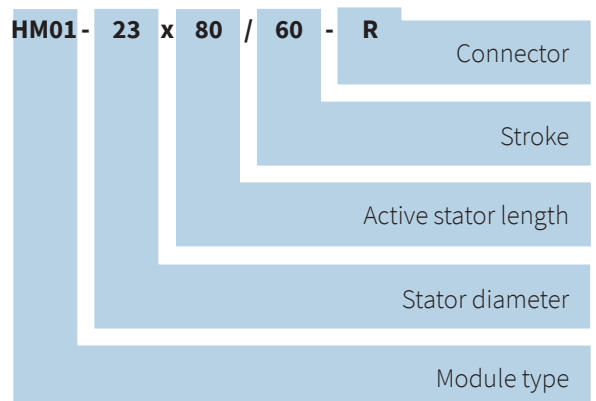
Linear Module HM01

Complete HM01 linear modules, consisting of a H01 guide and P01 linear motor, are highly dynamic design components. Compact construction and free positioning have significant advantages, especially in textile and packaging machines, assembly and feeding technology, laboratory automation, and special machines and systems.

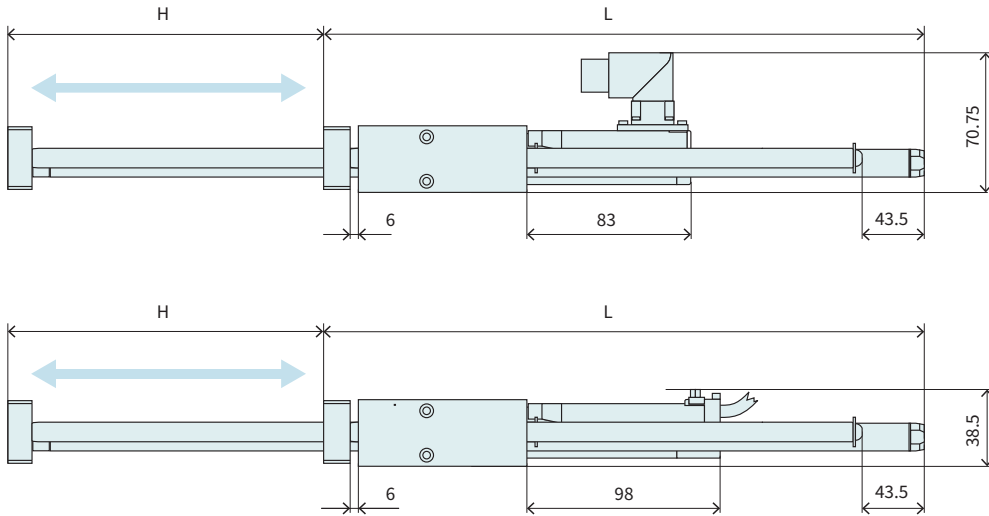
Designation Linear Guide H01



Designation Linear Module HM01



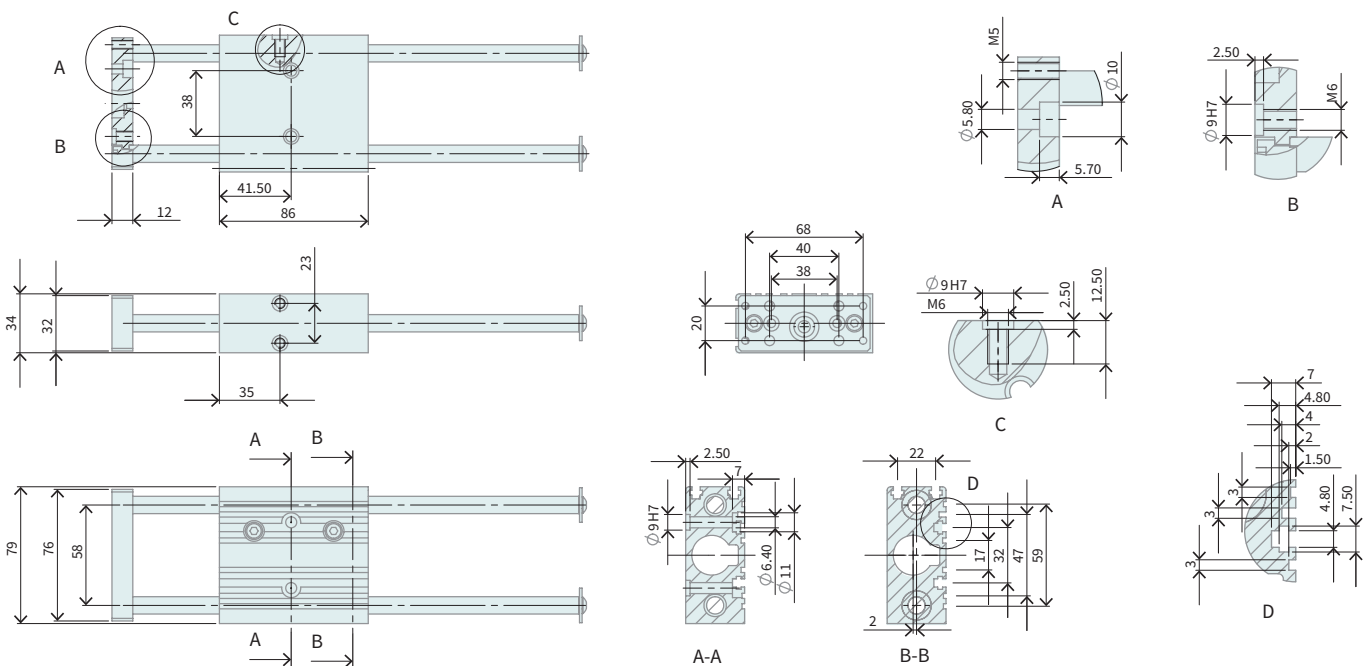
LINEAR MODULE HM01-23x80



Linear Module	Bearing type	Stroke H [mm (inch)]	Moving Parts L [mm (inch)]	Moving Mass ¹ [g (lb)]	Total Weight [g (lb)]
HM01-23x80/60	Ball bearings	60 (2.36)	205.5 (8.09)	405 (0.89)	1100 (2.43)
HM01-23x80/160	Ball bearings	160 (6.30)	305.5 (12.03)	610 (1.34)	1310 (2.88)
HM01-23x80/260	Ball bearings	260 (10.24)	435.5 (17.15)	860 (1.90)	1560 (2.43)
HM01-23x80/60-GF	Plain Bushings	60 (2.36)	205.5 (8.07)	405 (0.89)	1100 (2.43)
HM01-23x80/160-GF	Plain Bushings	160 (6.30)	305.5 (12.03)	610 (1.34)	1310 (2.88)
HM01-23x80/260-GF	Plain Bushings	260 (10.24)	435.5 (17.15)	860 (1.90)	1560 (2.43)

¹ Mass with moving slider

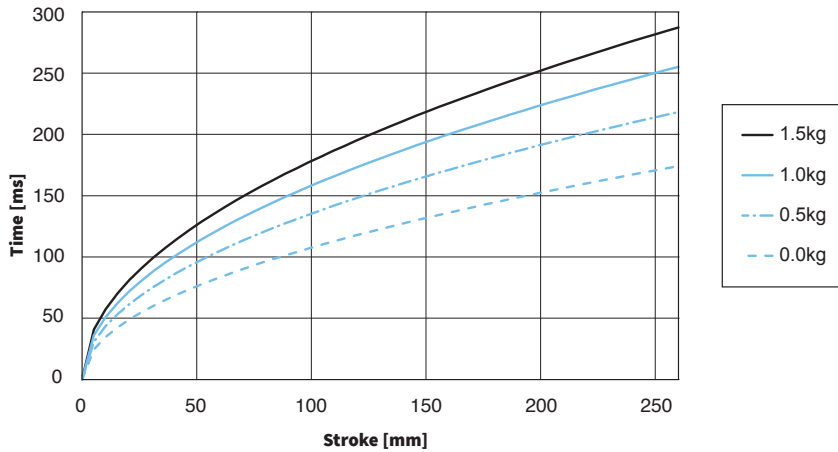
LINEAR GUIDES H01-23x86



Dimensions in mm

Materials	Guide Block & Front Plate	Guide Shaft	Bearing	Wipers
H01-23x86/... Ball Bearings	Anodized Aluminum	Hardened Steel	Steel	Nitrile Rubber
H01-23x86/...-GF Plain Bushings	Anodized Aluminum	Stainless Steel 1.4104	Sintered Bronze	Nitrile Rubber

POSITIONING TIMES WITH HM01-23x80



Minimum positioning times for horizontal motions with different load masses, controlled by an E1100-HC Servo Drive.

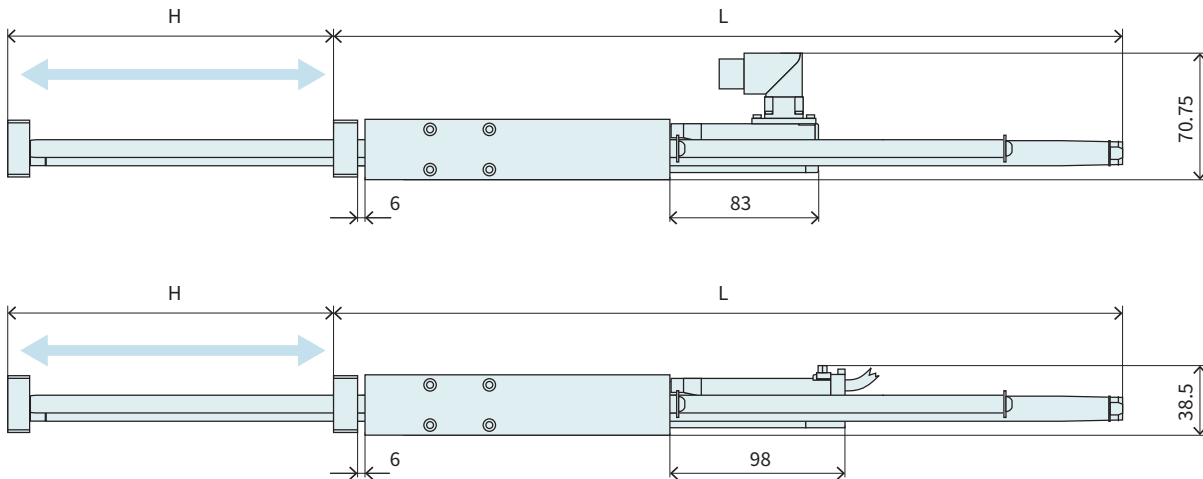
ORDERING INFORMATION

HM01-23x80/60		Linear Module 23x80 with 60 mm Stroke			
→	Linear Guide	H01-23x86/60	H01 for P01-23x80, 60 mm Stroke, Ball Bearings		0150-5014
		H01-23x86/60-GF	H01 for P01-23x80, 60 mm Stroke, Plain Bushings		0150-5074
→	Stator	PS01-23x80-R	Linear motor Stator, connector R - IP67		0150-1233
		PS01-23x80-R20	Linear motor Stator, 0.2 m Cable, connector R - IP67		0150-1241
		PS01-23x80	Linear motor Stator, 1.0 m Cable, connector D		0150-1201
		PS01-23x80F-HP-R	Stator HP with IP67 connector M17/9(m)		0150-1259
		PS01-23x80F-HP-R20	Stator HP, 0.2 m cable, IP67 con. M17/9(m)		0150-1260
→	Slider	PL01-12x190/150-LC	Slider 'standard LC'		0150-2582
		PL01-12x200/160-HP	Slider 'High Performance'		0150-1518
HM01-23x80/160		Linear Module 23x80 with 160 mm Stroke			
→	Linear Guide	H01-23x86/160	H01 for P01-23x80, 160 mm Stroke, Ball Bearings		0150-5015
		H01-23x86/160-GF	H01 for P01-23x80, 160 mm Stroke, Plain Bushings		0150-5075
→	Stator	PS01-23x80-R	Linear motor Stator, connector R - IP67		0150-1233
		PS01-23x80-R20	Linear motor Stator, 0.2 m Cable, connector R - IP67		0150-1241
		PS01-23x80	Linear motor Stator, 1.0 m Cable, connector D		0150-1201
		PS01-23x80F-HP-R	Stator HP with IP67 connector M17/9(m)		0150-1259
		PS01-23x80F-HP-R20	Stator HP, 0.2 m cable, IP67 con. M17/9(m)		0150-1260
→	Slider	PL01-12x290/250-LC	Slider 'standard LC'		0150-2583
		PL01-12x290/250-HP	Slider 'High Performance'		0150-1521
HM01-23x80/260		Linear Module 23x80 with 260 mm Stroke			
→	Linear Guide	H01-23x86/260	H01 for P01-23x80, 260 mm Stroke, Ball Bearings		0150-5016
		H01-23x86/260-GF	H01 for P01-23x80, 260 mm Stroke, Plain Bushings		0150-5076
→	Stator	PS01-23x80-R	Linear motor Stator, connector R - IP67		0150-1233
		PS01-23x80-R20	Linear motor Stator, 0.2 m Cable, connector R - IP67		0150-1241
		PS01-23x80	Linear motor Stator, 1.0 m Cable, connector D		0150-1201
		PS01-23x80F-HP-R	Stator HP with IP67 connector M17/9(m)		0150-1259
		PS01-23x80F-HP-R20	Stator HP, 0.2 m cable, IP67 con. M17/9(m)		0150-1260
→	Slider	PL01-12x420/380-LC	Slider 'standard LC'		0150-2585
		PL01-12x420/380-HP	Slider 'High Performance'		0150-1523

ACCESSORIES

Fan	HV01-23	Fan for H01-23 Linear Guides		0150-5050
MagSpring	MF01-20/H23	Mounting flange for MagSpring M01-20x...		0150-2306
	MA01-20/H23	Mounting adapter for MagSpring M01-20x...		0150-0116
Center Sleeve	HC01-09/04	Center Sleeve D9x4 mm		0150-3251

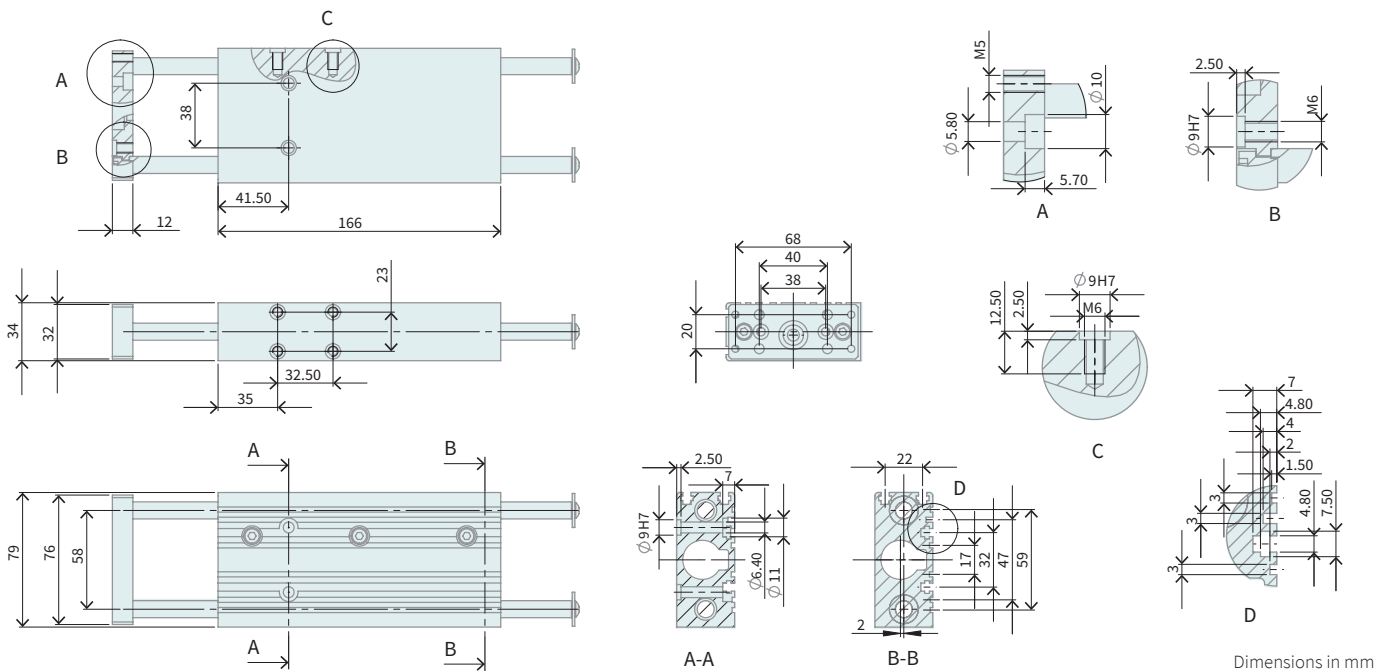
LINEAR MODULE HM01-23x160



Linear Module	Bearing type	Stroke H [mm (inch)]	Moving Parts L [mm (inch)]	Moving Mass ¹ [g (lb)]	Total Weight [g (lb)]
HM01-23x160/80	Ball bearings	80 (3.15)	305.5 (12.03)	610 (1.34)	1890 (4.17)
HM01-23x160/180	Ball bearings	180 (7.09)	435.5 (17.15)	860 (1.90)	2140 (4.72)
HM01-23x160/280	Ball bearings	280 (11.02)	495.5 (19.51)	1020 (2.25)	2300 (5.07)
HM01-23x160/80-GF	Plain Bushings	80 (3.15)	305.5 (12.03)	610 (1.34)	1890 (4.17)
HM01-23x160/180-GF	Plain Bushings	180 (7.09)	435.5 (17.15)	860 (1.90)	2140 (4.72)
HM01-23x160/280-GF	Plain Bushings	280 (11.02)	495.5 (19.51)	1020 (2.25)	2300 (5.07)

¹ Mass with moving slider

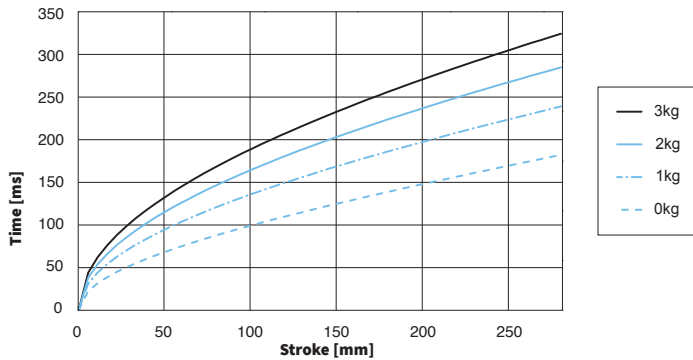
LINEAR GUIDES H01-23x166



Dimensions in mm

Materials	Guide Block & Front Plate	Guide Shaft	Bearing	Wipers
H01-23x166/... Ball Bearings	Anodized Aluminum	Hardened Steel	Steel	Nitrile Rubber
H01-23x166/...-GF Plain Bushings	Anodized Aluminum	Stainless Steel 1.4104	Sintered Bronze	Nitrile Rubber

POSITIONING TIMES WITH HM01-23x160



Minimum positioning times for horizontal motions with different load masses, controlled by an E1100-HC Servo Drive.

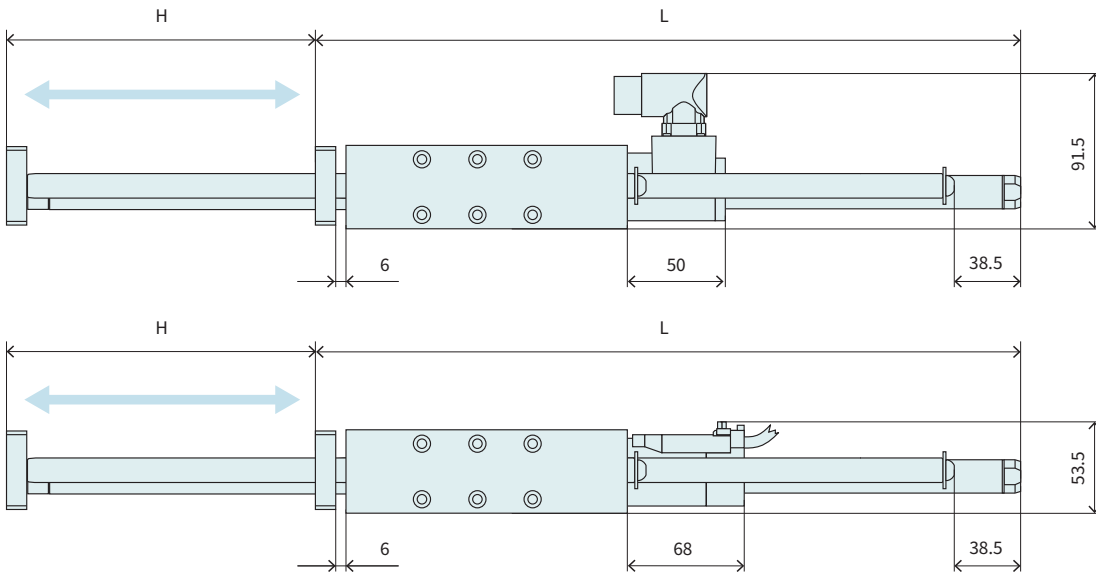
ORDERING INFORMATION

HM01-23x160/80		Linear Module 23x160 with 80 mm Stroke			
Linear Guide	H01-23x166/80	H01 for P01-23x160, 80 mm Stroke, Ball Bearings			0150-5017
	H01-23x166/80-GF	H01 for P01-23x160, 80 mm Stroke, Gleitlager			0150-5077
Stator	PS01-23x160-R	Linear motor Stator, connector R - IP67			0150-1234
	PS01-23x160F-R	Linear motor Stator, connector R - IP67	Fast Winding		0150-1235
	PS01-23x160-R20	Linear motor Stator, 0.2 m Cable, connector R - IP67			0150-1242
	PS01-23x160F-R20	Linear motor Stator, 0.2 m Cable, connector R - IP67	Fast Winding		0150-1243
	PS01-23x160	Linear motor Stator, 1.0 m Cable, connector D			0150-1202
	PS01-23x160H-HP-R	Stator HP with IP67 connector M17/9(m)			0150-1254
Slider	PL01-12x290/250-LC	Slider 'standard LC'			0150-2583
	PL01-12x290/250-HP	Slider 'High Performance'			0150-1521
HM01-23x160/180		Linear Module 23x160 with 180 mm Stroke			
Linear Guide	H01-23x166/180	H01 for P01-23x160, 180 mm Stroke, Ball Bearings			0150-5018
	H01-23x166/180-GF	H01 for P01-23x160, 180 mm Stroke, Gleitlager			0150-5078
Stator	PS01-23x160-R	Linear motor Stator, connector R - IP67			0150-1234
	PS01-23x160F-R	Linear motor Stator, connector R - IP67	Fast Winding		0150-1235
	PS01-23x160-R20	Linear motor Stator, 0.2 m Cable, connector R - IP67			0150-1242
	PS01-23x160F-R20	Linear motor Stator, 0.2 m Cable, connector R - IP67	Fast Winding		0150-1243
	PS01-23x160	Linear motor Stator, 1.0 m Cable, connector D			0150-1202
	PS01-23x160H-HP-R	Stator HP with IP67 connector M17/9(m)			0150-1254
Slider	PL01-12x420/380-LC	Slider 'standard LC'			0150-2585
	PL01-12x420/380-HP	Slider 'High Performance'			0150-1523
HM01-23x160/280		Linear Module 23x160 with 280 mm Stroke			
Linear Guide	H01-23x166/280	H01 for P01-23x160, 280 mm Stroke, Ball Bearings			0150-5019
	H01-23x166/280-GF	H01 for P01-23x160, 280 mm Stroke, Plain Bushings			0150-5079
Stator	PS01-23x160-R	Linear motor Stator, connector R - IP67			0150-1234
	PS01-23x160F-R	Linear motor Stator, connector R - IP67	Fast Winding		0150-1235
	PS01-23x160-R20	Linear motor Stator, 0.2 m Cable, connector R - IP67			0150-1242
	PS01-23x160F-R20	Linear motor Stator, 0.2 m Cable, connector R - IP67	Fast Winding		0150-1243
	PS01-23x160	Linear motor Stator, 1.0 m Cable, connector D			0150-1202
	PS01-23x160H-HP-R	Stator HP with IP67 connector M17/9(m)			0150-1254
Slider	PL01-12x480/440-LC	Slider 'standard LC'			0150-2586
	PL01-12x480/440-HP	Slider 'High Performance'			0150-1524

ACCESSORIES

Fan	HV01-23	Fan for H01-23 Linear Guides		0150-5050
MagSpring	MF01-20/H23	Mounting flange for MagSpring M01-20x...		0250-2306
	MA01-20/H23	Mounting adapter for MagSpring M01-20x...		0250-0116
Center Sleeve	HC01-09/04	Center Sleeve D9x4mm		0150-3251

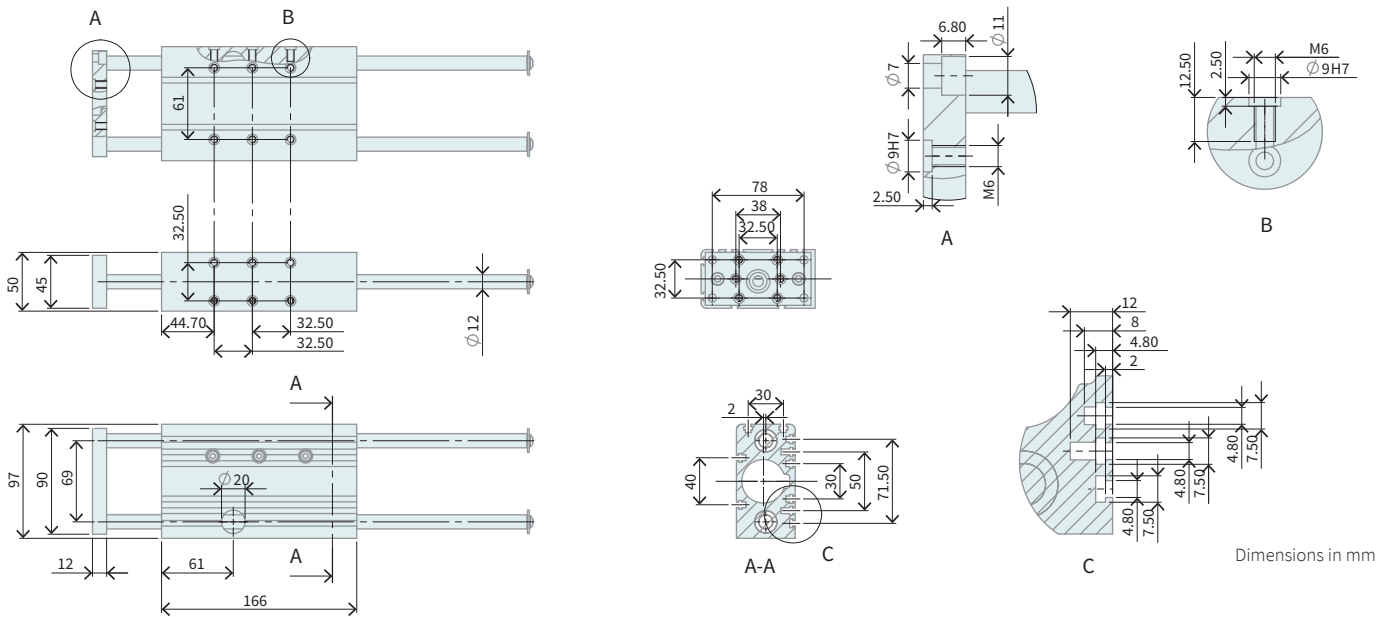
LINEAR MODULE HM01-37x120



Linear Module	Bearing type	Stroke H [mm (inch)]	Moving Parts L [mm (inch)]	Moving Mass ¹ [g (lb)]	Total Weight [g (lb)]
HM01-37x120/80	Ball bearings	80 (3.15)	318 (12.52)	1190 (2.62)	3260 (7.18)
HM01-37x120/180	Ball bearings	180 (7.09)	413 (16.26)	1600 (3.53)	3670 (8.09)
HM01-37x120/280	Ball bearings	280 (11.02)	518 (20.39)	2030 (4.46)	4100 (9.03)
HM01-37x120/80-GF	Plain Bushings	80 (3.15)	318 (12.52)	1190 (2.62)	3260 (7.18)
HM01-37x120/180-GF	Plain Bushings	180 (7.09)	413 (16.26)	1600 (3.53)	3670 (8.09)
HM01-37x120/280-GF	Plain Bushings	280 (11.02)	518 (20.39)	2030 (4.46)	4100 (9.03)

¹ Mass with moving slider

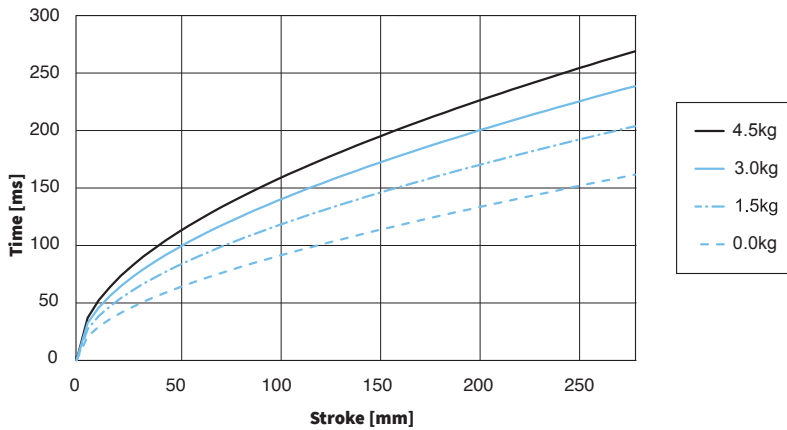
LINEAR GUIDES H01-37x166



Dimensions in mm

Materials	Guide Block & Front Plate	Guide Shaft	Bearing	Wipers
H01-37x166/... Ball Bearings	Anodized Aluminum	Hardened Steel	Steel	Nitrile Rubber
H01-37x166/...-GF Plain Bushings	Anodized Aluminum	Stainless Steel 1.4104	Sintered Bronze	Nitrile Rubber

POSITIONING TIMES WITH HM01-37x120



Minimum positioning times for horizontal motions with different load masses, controlled by an E1100-HC Servo Drive.

ORDERING INFORMATION

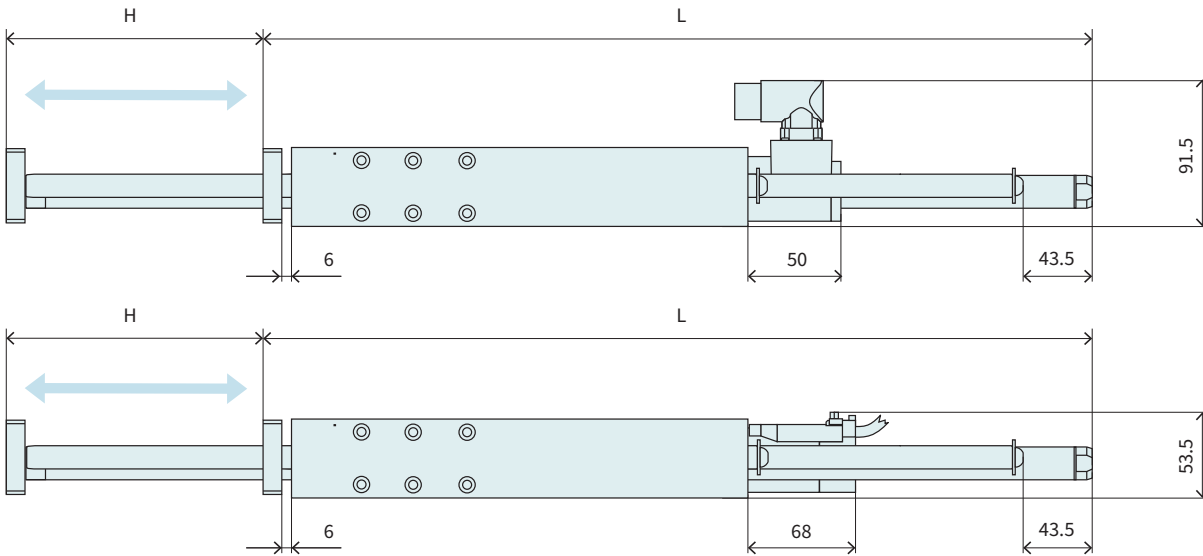
HM01-37x120/80	Linear Module 37x120 with 80 mm Stroke			
Linear Guide	H01-37x166/80	H01 for P01-37x120, 80mm Stroke, Ball Bearings		0150-5020
	H01-37x166/80-GF	H01 for P01-37x120, 80mm Stroke, Plain Bushings		0150-5080
Stator	PS01-37x120-C	Linear motor connector, connector C - IP67		0150-1223
	PS01-37x120-C20	Linear motor connector, 0.2m Cable, connector C - IP67		0150-1237
	PS01-37x120	Linear motor connector, 1.5m Cable, connector P		0150-1204
	PS01-37x120F-HP-C	connector HP with IP67 connector M23/9(m)		0150-1251
	PS01-37x120F-HP-C20	connector HP, 0.2 m cable, IP67 con. M23/9(m)		0150-1252
Slider	PL01-20x300/240-LC	Slider 'standard LC'		0150-2561
	PL01-20x300/240-HP	Slider 'High Performance'		0150-1506

HM01-37x120/180	Linear Module 37x120 with 180 mm Stroke			
Linear Guide	H01-37x166/180	H01 for P01-37x120, 180 mm Stroke, Ball Bearings		0150-5021
	H01-37x166/180-GF	H01 for P01-37x120, 180 mm Stroke, Plain Bushings		0150-5081
Stator	PS01-37x120-C	Linear motor connector, connector C - IP67		0150-1223
	PS01-37x120-C20	Linear motor connector, 0.2m Cable, connector C - IP67		0150-1237
	PS01-37x120	Linear motor connector, 1.5m Cable, connector P		0150-1204
	PS01-37x120F-HP-C	connector HP with IP67 connector M23/9(m)		0150-1251
	PS01-37x120F-HP-C20	connector HP, 0.2 m cable, IP67 con. M23/9(m)		0150-1252
Slider	PL01-20x400/340-LC	Slider 'standard LC'		0150-2562
	PL01-20x400/340-HP	Slider 'High Performance'		0150-1508

HM01-37x120/280	Linear Module 37x120 with 280 mm Stroke			
Linear Guide	H01-37x166/280	H01 for P01-37x120, 280 mm Stroke, Ball Bearings		0150-5022
	H01-37x166/280-GF	H01 for P01-37x120, 280mm Stroke, Plain Bushings		0150-5082
Stator	PS01-37x120-C	Linear motor connector, connector C - IP67		0150-1223
	PS01-37x120-C20	Linear motor connector, 0.2m Cable, connector C - IP67		0150-1237
	PS01-37x120	Linear motor connector, 1.5m Cable, connector P		0150-1204
	PS01-37x120F-HP-C	connector HP with IP67 connector M23/9(m)		0150-1251
	PS01-37x120F-HP-C20	connector HP, 0.2 m cable, IP67 con. M23/9(m)		0150-1252
Slider	PL01-20x500/440-LC	Slider 'standard LC'		0150-2563
	PL01-20x500/440-HP	Slider 'High Performance'		0150-1509

ACCESSORIES				
Brake	HB01-37	Pneumatic Brake for H01-37/600N (4-6Bar)		0150-5052
Fan	HV01-37/48	Fan for H01-37 und -48 Linear Guides		0150-5051
MagSpring	MF01-37/H37	Mounting flange for MagSpring M01-37x...		0250-2307
	MA01-37/H37	Mounting adapter for MagSpring M01-37x...		0250-0117
Center Sleeve	HC01-09/04	Center Sleeve D9x4mm		0150-3251
Wiper	HA01-37/20-F	Wiper for H01-37 guides, front side		0150-5108

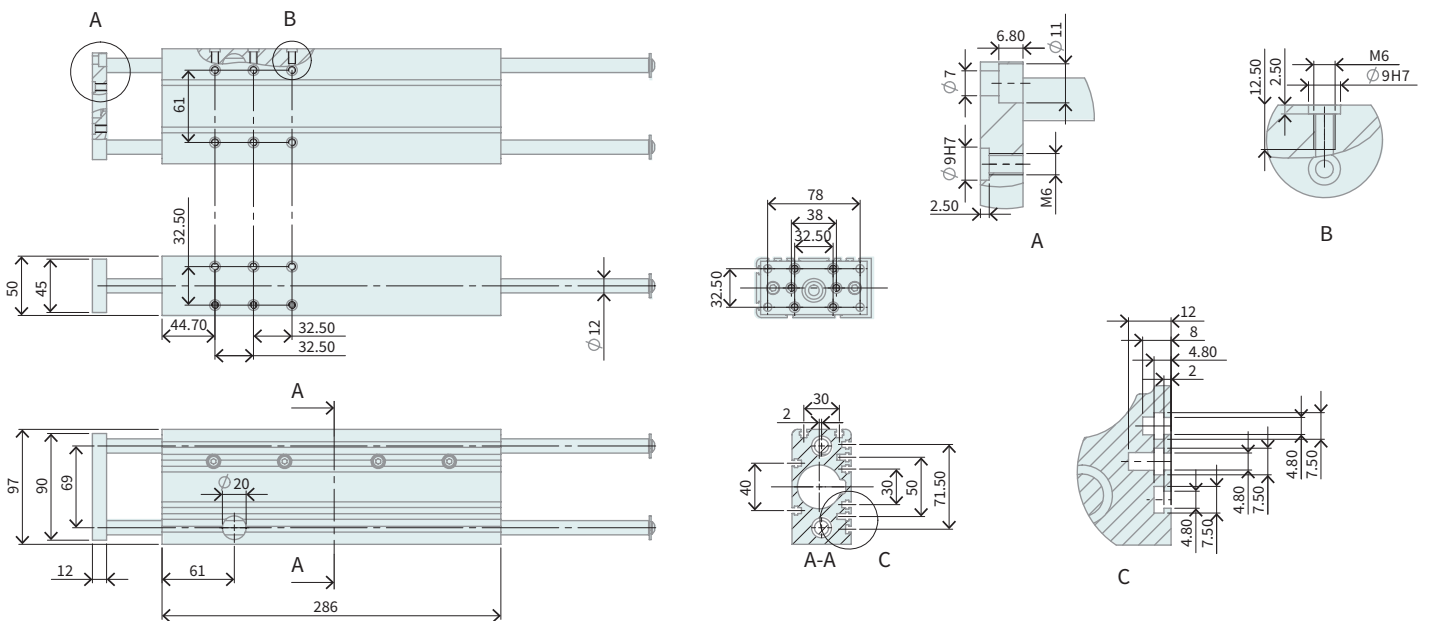
LINEAR MODULE HM01-37x240



Linear Module	Bearing type	Stroke H [mm (inch)]	Moving Parts L [mm (inch)]	Moving Mass ¹ [g (lb)]	Total Weight [g (lb)]
HM01-37x240/60	Ball bearings	60 (2.36)	413 (16.26)	1600 (3.53)	5280 (11.63)
HM01-37x240/160	Ball bearings	160 (6.30)	518 (20.39)	2020 (4.44)	5690 (12.54)
HM01-37x240/260	Ball bearings	260 (10.24)	618 (24.33)	2420 (5.33)	6100 (13.43)
HM01-37x240/60-GF	Plain Bushings	60 (2.36)	413 (16.26)	1600 (3.53)	5280 (11.63)
HM01-37x240/160-GF	Plain Bushings	160 (6.30)	518 (20.39)	2020 (4.44)	5690 (12.54)
HM01-37x240/260-GF	Plain Bushings	260 (10.24)	618 (24.33)	2420 (5.33)	6100 (13.43)

¹ Mass with moving slider

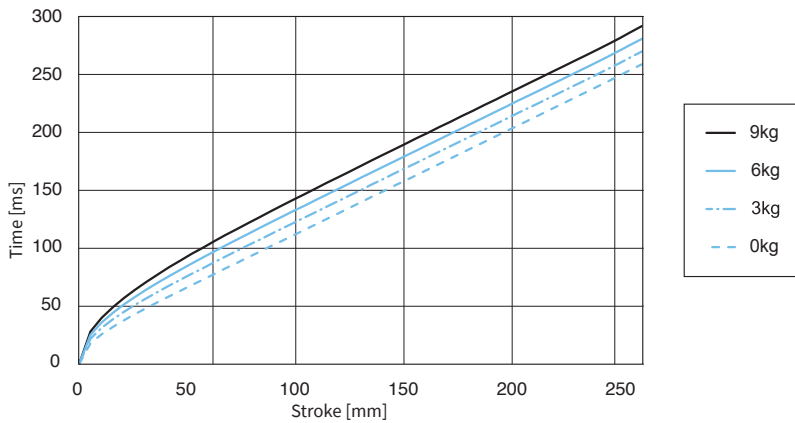
LINEAR GUIDES H01-37x286



Dimensions in mm

Materials	Guide Block & Front Plate	Guide Shaft	Bearing	Wipers
H01-37x286/... Ball Bearings	Anodized Aluminum	Hardened Steel	Steel	Nitrile Rubber
H01-37x286/...-GF Plain Bushings	Anodized Aluminum	Stainless Steel 1.4104	Sintered Bronze	Nitrile Rubber

POSITIONING TIMES WITH HM01-37x240



Minimum positioning times for horizontal motions with different load masses, controlled by an E1100-HC Servo Drive.

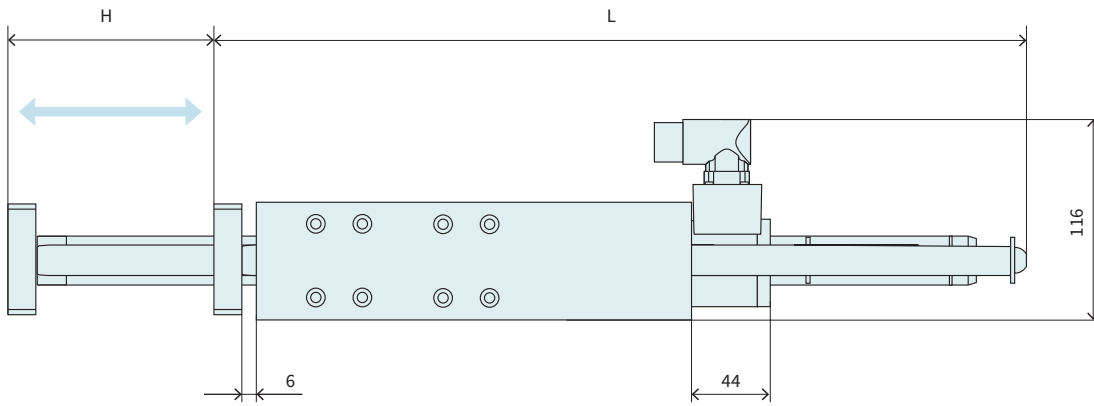
ORDERING INFORMATION

HM01-37x240/60		Linear Module 37x240 with 60mm Stroke			
Linear Guide	H01-37x286/60	H01 for P01-37x240, 60 mm Stroke, Ball Bearings			0150-5023
	H01-37x286/60-GF	H01 for P01-37x240, 60 mm Stroke, Plain Bushings			0150-5083
Stator	PS01-37x240-C	Linear motor Stator, connector C - IP67			0150-1224
	PS01-37x240F-C	Linear motor Stator, connector C - IP67		Fast Winding	0150-1225
	PS01-37x240-C20	Linear motor Stator, 0.2 m Cable, connector C - IP67		Fast Winding	0150-1238
	PS01-37x240F-C20	Linear motor Stator, 0.2 m Cable, connector C - IP67			0150-1239
	PS01-37x240	Linear motor Stator, 1.5 m Cable, connector P			0150-1203
PS01-37x240F	Stator, cable 1.5 m, connector P/10(m)			0150-1256	
Slider	PL01-20x400/340-LC	Slider 'standard LC'			0150-2562
HM01-37x240/160		Linear Module 37x240 with 160 mm Stroke			
Linear Guide	H01-37x286/160	H01 for P01-37x240, 160 mm Stroke, Ball Bearings			0150-5024
	H01-37x286/160-GF	H01 for P01-37x240, 160 mm Stroke, Plain Bushings			0150-5084
Stator	PS01-37x240-C	Linear motor Stator, connector C - IP67			0150-1224
	PS01-37x240F-C	Linear motor Stator, connector C - IP67		Fast Winding	0150-1225
	PS01-37x240-C20	Linear motor Stator, 0.2 m Cable, connector C - IP67		Fast Winding	0150-1238
	PS01-37x240F-C20	Linear motor Stator, 0.2 m Cable, connector C - IP67			0150-1239
	PS01-37x240	Linear motor Stator, 1.5 m Cable, connector P			0150-1203
PS01-37x240F	Stator, cable 1.5 m, connector P/10(m)			0150-1256	
Slider	PL01-20x400/340-LC	Slider 'standard LC'			0150-2563
HM01-37x240/260		Linear Module 37x240 with 260 mm Stroke			
Linear Guide	H01-37x286/260	H01 for P01-37x240, 260 mm Stroke, Ball Bearings			0150-5025
	H01-37x286/260-GF	H01 for P01-37x240, 260 mm Stroke, Plain Bushings			0150-5085
Stator	PS01-37x240-C	Linear motor Stator, connector C - IP67			0150-1224
	PS01-37x240F-C	Linear motor Stator, connector C - IP67		Fast Winding	0150-1225
	PS01-37x240-C20	Linear motor Stator, 0.2 m Cable, connector C - IP67		Fast Winding	0150-1238
	PS01-37x240F-C20	Linear motor Stator, 0.2 m Cable, connector C - IP67			0150-1239
	PS01-37x240	Linear motor Stator, 1.5 m Cable, connector P			0150-1203
PS01-37x240F	Stator, cable 1.5 m, connector P/10(m)			0150-1256	
Slider	PL01-20x600/540-LC	Slider 'standard LC'			150-2564

ACCESSORIES

Brake	HB01-37	Pneumatic Brake for H01-37/600N (4-6Bar)		0150-5052
Fan	HV01-37/48	Fan for H01-37 und -48 Linear Guides		0150-5051
MagSpring	MF01-37/H37	Mounting flange for MagSpring M01-37x...		0250-2307
	MA01-37/H37	Mounting adapter for MagSpring M01-37x...		0250-0117
Center Sleeve	HC01-09/04	Center Sleeve D9x4mm		0150-3251
Wiper	HA01-37/20-F	Wiper for H01-37 guides, front side		0150-5108

LINEAR MODULE HM01-48x240

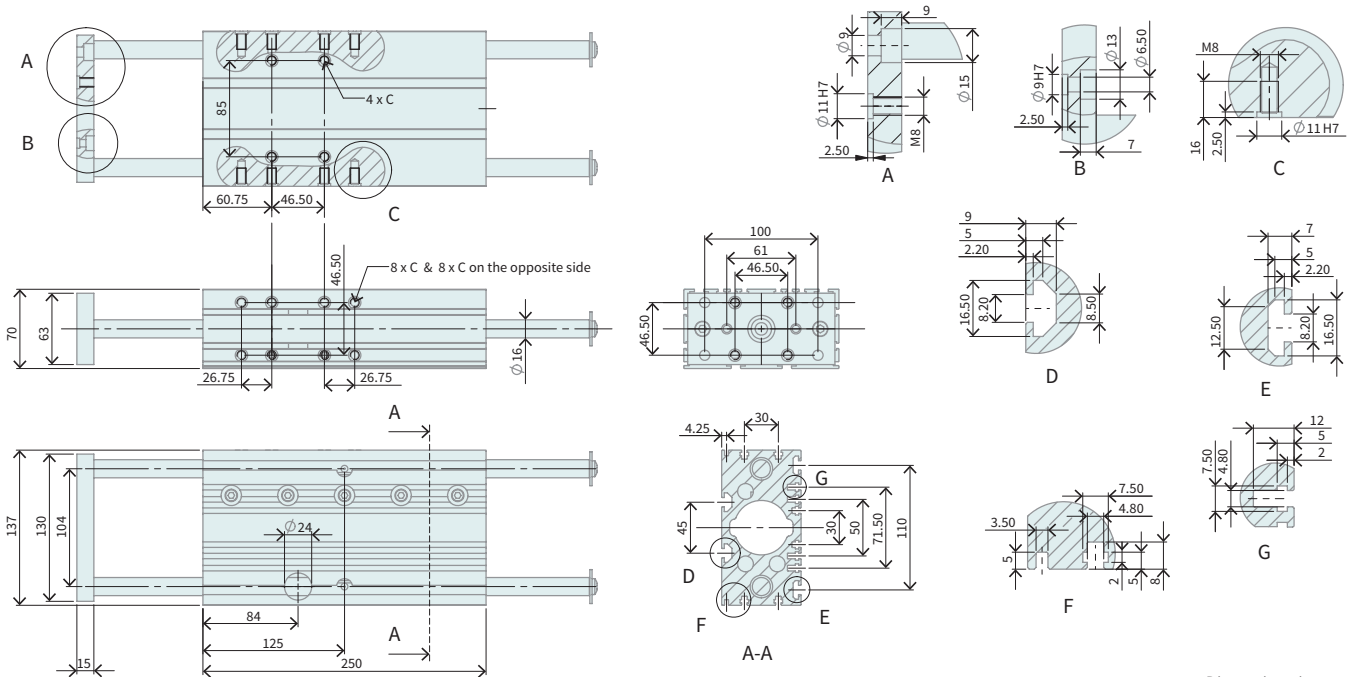


Linear Module	Bearing type	Stroke H [mm (inch)]	Moving Parts L [mm (inch)]	Moving Mass ¹ [g (lb)]	Total Weight [g (lb)]
HM01-48x240/120	Ball bearings	120 (4.72)	460 (18.11)	3400 (7.47)	8950 (19.66)
HM01-48x240/210	Ball bearings	210 (8.27)	550 (21.65)	4100 (9.02)	9650 (21.21)
HM01-48x240/330	Ball bearings	330 (12.99)	670 (26.38)	5050 (11.07)	10600 (23.26)
HM01-48x240/420	Ball bearings	420 (16.54)	760 (29.92)	5750 (12.61)	11300 (24.80)

HM01-48x240/120-GF	Plain Bushings	120 (4.72)	460 (18.11)	3400 (7.47)	8950 (19.66)
HM01-48x240/210-GF	Plain Bushings	210 (8.27)	550 (21.65)	4100 (9.02)	9650 (21.21)
HM01-48x240/330-GF	Plain Bushings	330 (12.99)	670 (26.38)	5050 (11.07)	10600 (23.26)
HM01-48x240/420-GF	Plain Bushings	420 (16.54)	760 (29.92)	5750 (12.61)	11300 (24.80)

¹ Mass with moving slider

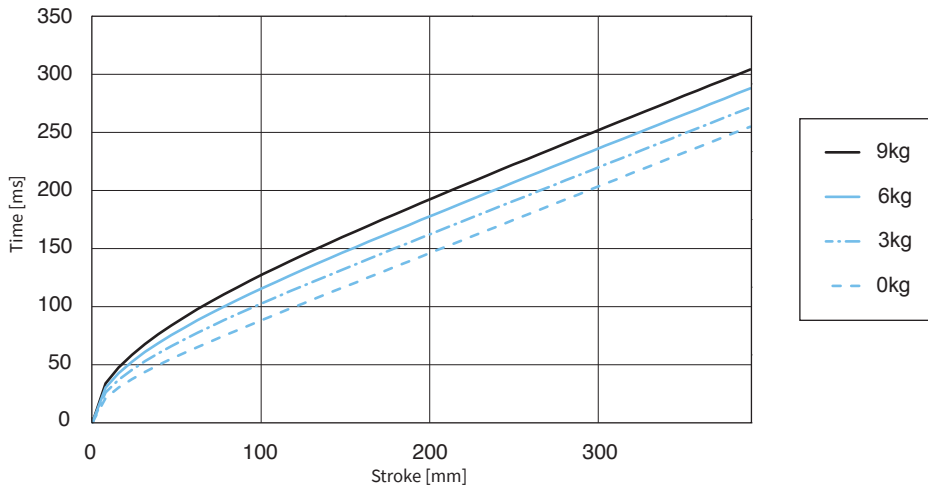
LINEAR GUIDES H01-48x250



Dimensions in mm

Materials	Guide Block & Front Plate	Guide Shaft	Bearing	Wipers
H01-48x250/... Ball Bearings	Anodized Aluminum	Hardened Steel	Steel	Nitrile Rubber
H01-48x250/...-GF Plain Bushings	Anodized Aluminum	Stainless Steel 1.4104	Sintered Bronze	Nitrile Rubber

POSITIONING TIMES WITH HM01-48x240



Minimum positioning times for horizontal motions with different load masses, controlled by an E1100-HC Servo Drive.

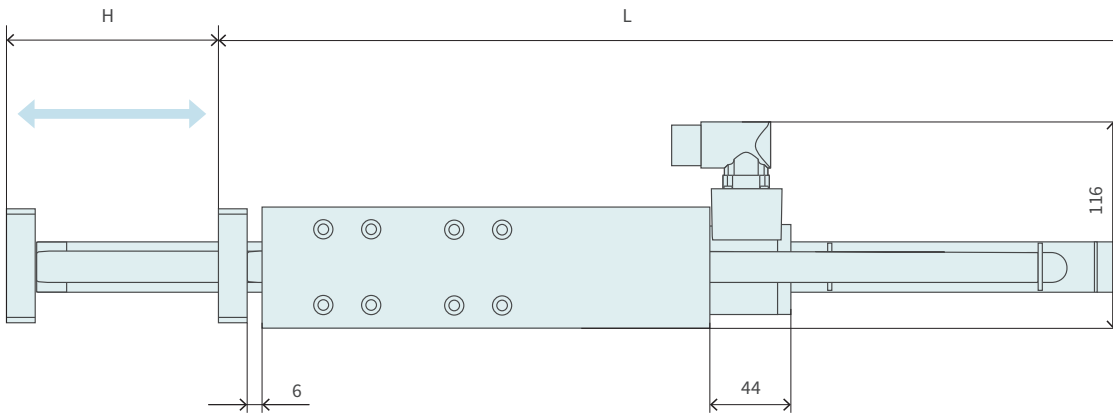
ORDERING INFORMATION

HM01-48x240/120	Linear module 48x240 with 120mm Stroke			
→	Linear Guide	H01-48x250/120	H01 for P01-48x240, 120mm Stroke, Ball Bearings	0150-5100
		H01-48x250/120-GF	H01 for P01-48x240, 120mm Stroke, Plain Bushings	0150-5104
→	Stator	PS01-48x240-C	Linear motor Stator, connector C - IP67	0150-1219
		PS01-48x240F-C	Linear motor Stator, connector C - IP67	Fast Winding 0150-1220
→	Slider	PL01-28x410/330	Standard Slider for H01-48x250/120	0150-1381
HM01-48x240/210	Linear module 48x240 with 210mm Stroke			
→	Linear Guide	H01-48x250/210	H01 for P01-48x240, 210mm Stroke, Ball Bearings	0150-5101
		H01-48x250/210-GF	H01 for P01-48x240, 210mm Stroke, Plain Bushings	0150-5105
→	Stator	PS01-48x240-C	Linear motor Stator, connector C - IP67	0150-1219
		PS01-48x240F-C	Linear motor Stator, connector C - IP67	Fast Winding 0150-1220
→	Slider	PL01-28x500/420	Slider 'standard LC'	0150-1382
HM01-48x240/330	Linear module 48x240 with 330mm Stroke			
→	Linear Guide	H01-48x250/330	H01 for P01-48x240, 330mm Stroke, Ball Bearings	0150-5102
		H01-48x250/330-GF	H01 for P01-48x240, 330mm Stroke, Plain Bushings	0150-5106
→	Stator	PS01-48x240-C	Linear motor Stator, connector C - IP67	0150-1219
		PS01-48x240F-C	Linear motor Stator, connector C - IP67	Fast Winding 0150-1220
→	Slider	PL01-28x620/540	Slider Standard for H01-48x250/330	0150-1383
HM01-48x240/420	Linear module 48x240 with 420mm Stroke			
→	Linear Guide	H01-48x250/420	H01 for P01-48x240, 420mm Stroke, Ball Bearings	0150-5103
		H01-48x250/420-GF	H01 for P01-48x240, 420mm Stroke, Plain Bushings	0150-5107
→	Stator	PS01-48x240-C	Linear motor Stator, connector C - IP67	0150-1219
		PS01-48x240F-C	Linear motor Stator, connector C - IP67	Fast Winding 0150-1220
→	Slider	PL01-28x710/630	Slider Standard for H01-48x250/420	0150-1384

ACCESSORIES

Brake	HB01-48	Pneumatic Brake for H01-48/1000N(4-6Bar)	0150-5098
Fan	HV01-37/48	Fan for H01-37 und -48 Linear Guides	0150-5051
MagSpring	MF01-37/H37	Mounting flange for MagSpring M01-37x...	0250-2307
	MA01-37/H48	Mounting adapter for MagSpring M01-37x...	0250-0118
Sliding Block	PFN01-8/M6	Sliding Block 8mm with M6 Thread	0150-3245
Center Sleeve	HC01-11/05	Central Sleeve D11x5mm	0150-3252
Wiper	HA01-48/28-F	Wiper for H01-48 guides, front side	0150-5109

LINEAR MODULE HM01-48X360

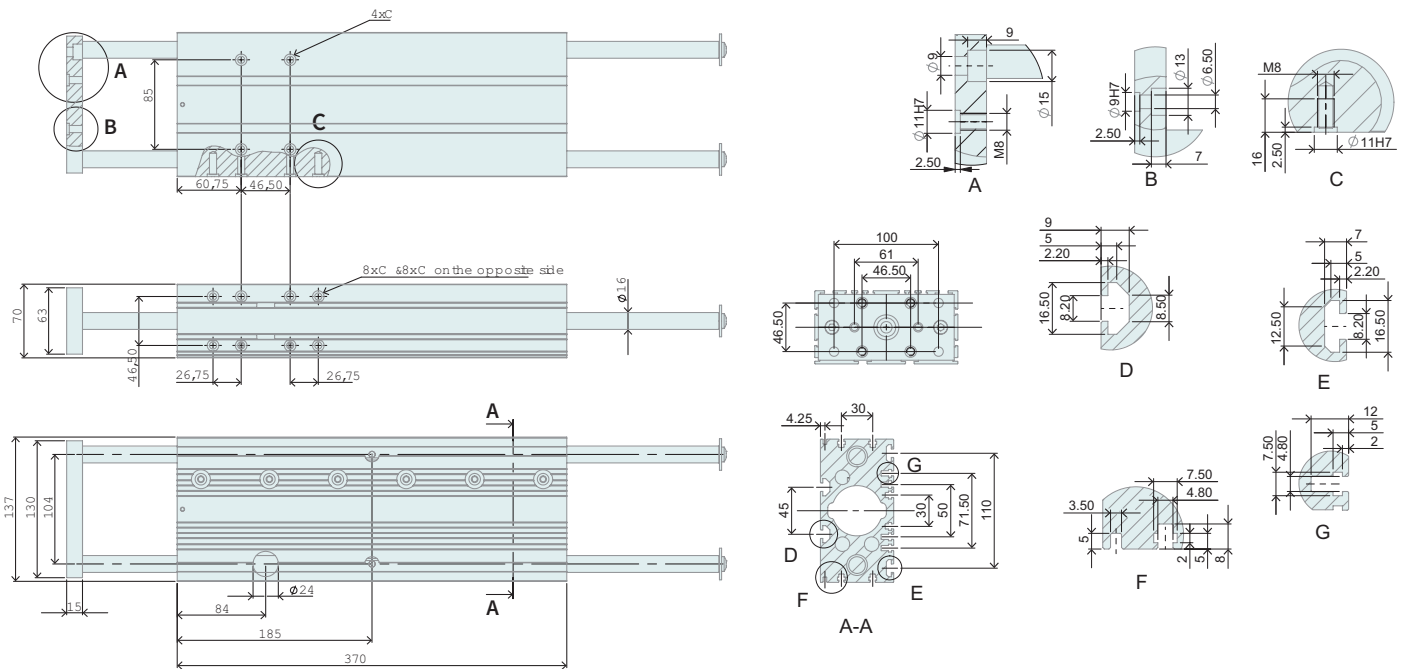


Linear Module	Bearing type	Stroke H [mm (inch)]	Moving Parts L [mm (inch)]	Moving Mass ¹ [g (lb)]	Total Weight [g (lb)]
HM01-48x360/90	Ball bearings	90 (3.54)	521 (20.52)	4000 (8.84)	12300 (27.17)
HM01-48x360/210	Ball bearings	210 (8.27)	641 (25.25)	4910 (10.85)	13210 (29.18)
HM01-48x360/300	Ball bearings	300 (11.82)	731 (28.79)	5630 (12.44)	13930 (30.77)
HM01-48x360/510	Ball bearings	510 (20.01)	941 (37.06)	6980 (15.42)	15280 (33.76)

HM01-48x360/90-GF	Plain Bushings	90 (3.54)	521 (20.52)	4000 (8.84)	12300 (27.17)
HM01-48x360/210-GF	Plain Bushings	210 (8.27)	641 (25.25)	4910 (10.85)	13210 (29.18)
HM01-48x360/300-GF	Plain Bushings	300 (11.82)	731 (28.79)	5630 (12.44)	13930 (30.77)
HM01-48x360/510-GF	Plain Bushings	510 (20.01)	941 (37.06)	6980 (15.42)	15280 (23.76)

¹ Mass with moving slider

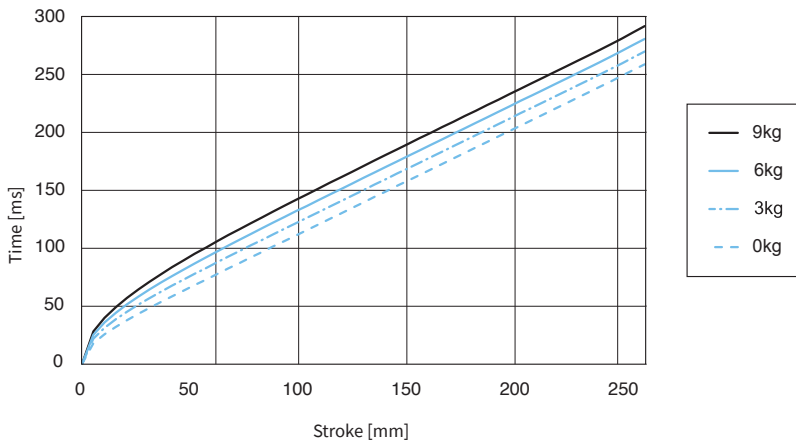
LINEAR GUIDES H01-48x370



Dimensions in mm

Materials	Guide Block & Front Plate	Guide Shaft	Bearing	Wipers
H01-48x370/... Ball Bearings	Anodized Aluminum	Hardened Steel	Steel	Nitrile Rubber
H01-48x370/...-GF Plain Bushings	Anodized Aluminum	Stainless Steel 1.4104	Sintered Bronze	Nitrile Rubber

POSITIONING TIMES WITH HM01-48x360



Minimum positioning times for horizontal motions with different load masses, controlled by an E1100-HC Servo Drive.

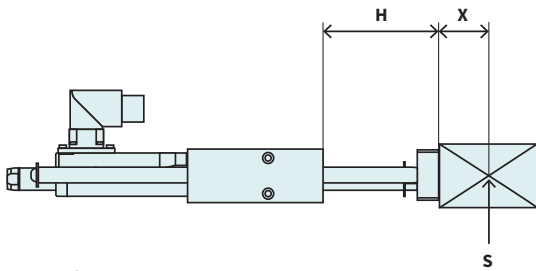
ORDERING INFORMATION

HM01-48x360/90	Linear module 48x360 with 90 mm Stroke			
→	Linear Guide	H01-48x370/90	H01 for P01-48x360, 90 mm Stroke, Ball Bearings	0150-5240
		H01-48x370/90-GF	H01 for P01-48x360, 90 mm Stroke, Plain Bushings	0150-5243
→	Stator	PS01-48x360F-C	Stator with IP67 connector M23/9(m)	0150-1269
→	Slider	PL01-28x500/420	Slider 'standard'	0150-1382
HM01-48x360/210	Linear module 48x360 with 210 mm Stroke			
→	Linear Guide	H01-48x370/210	H01 for P01-48x360, 210 mm Stroke, Ball Bearings	0150-5241
		H01-48x370/210-GF	H01 for P01-48x360, 210 mm Stroke, Plain Bushings	0150-5244
→	Stator	PS01-48x360F-C	Stator with IP67 connector M23/9(m)	0150-1269
→	Slider	PL01-28x620/540	Slider 'standard'	0150-1383
HM01-48x360/300	Linear module 48x360 with 300 mm Stroke			
→	Linear Guide	H01-48x370/300	H01 for P01-48x360, 300 mm Stroke, Ball Bearings	0150-5242
		H01-48x370/300-GF	H01 for P01-48x360, 300 mm Stroke, Plain Bushings	0150-5245
→	Stator	PS01-48x360F-C	Stator with IP67 connector M23/9(m)	0150-1269
→	Slider	PL01-28x710/630	Slider 'standard'	0150-1384
HM01-48x360/510	Linear module 48x360 with 510 mm Stroke			
→	Linear Guide	H01-48x370/510	H01 for P01-48x360, 510 mm Stroke, Ball Bearings	0150-5252
		H01-48x370/510-GF	H01 for P01-48x360, 510 mm Stroke, Plain Bushings	auf Anfrage
→	Stator	PS01-48x360F-C	Stator with IP67 connector M23/9(m)	0150-1269
→	Slider	PL01-28x920/840	Slider 'standard'	0150-1386

ACCESSORIES

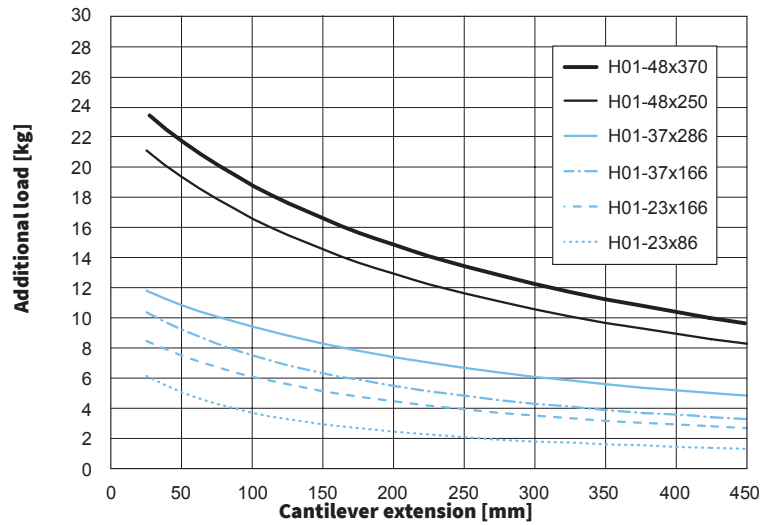
Brake	HB01-48	Pneumatic Brake for H01-48/1000N(4-6Bar)	0150-5098
Fan	HV01-37/48	Fan for H01-37 und -48 Linear Guides	0150-5051
MagSpring	MF01-37/H37	Mounting flange for MagSpring M01-37x...	0250-2307
	MA01-37/H48	Mounting adapter for MagSpring M01-37x...	0250-0118
Sliding Block	PFN01-8/M6	Sliding Block 8mm with M6 Thread	0150-3245
Center Sleeve	HC01-11/05	Central Sleeve D11x5mm	0150-3252
Wiper	HA01-48/28-F	Wiper for H01-48 guides, front side	0150-5109

MAXIMUM LOAD

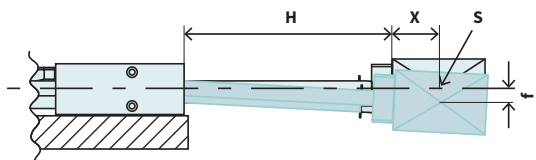


H = Stroke
 X = Distance to center of gravity
 S = Center of gravity
 Cantilever extension = H + X

The maximum load depends on the cantilever extension (maximum stroke A plus distance between the center of gravity of the working load and the mounting surface).

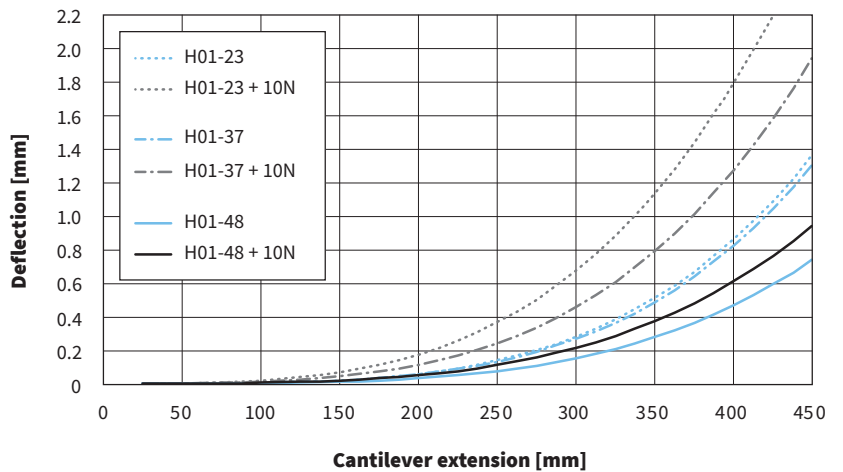


VERTICAL DEFLECTION



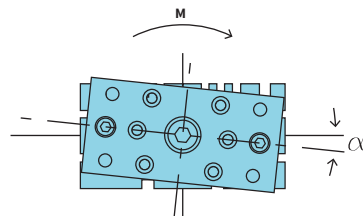
H = Stroke
 S = Center of gravity
 X = Distance to center of gravity
 f = Deflection of theoretical axis

Total deflection =
 Static deflection + deflection under load
 Deflection measured at standstill, with
 10N / 2.25lbf Load.



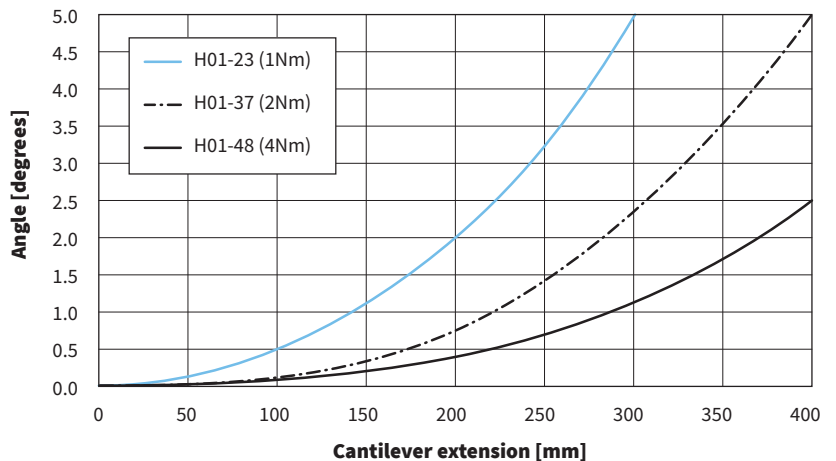
Deflection for smaller or larger load masses
 can be linearly extrapolated using the data
 for 10 N / 2.25 lbf.

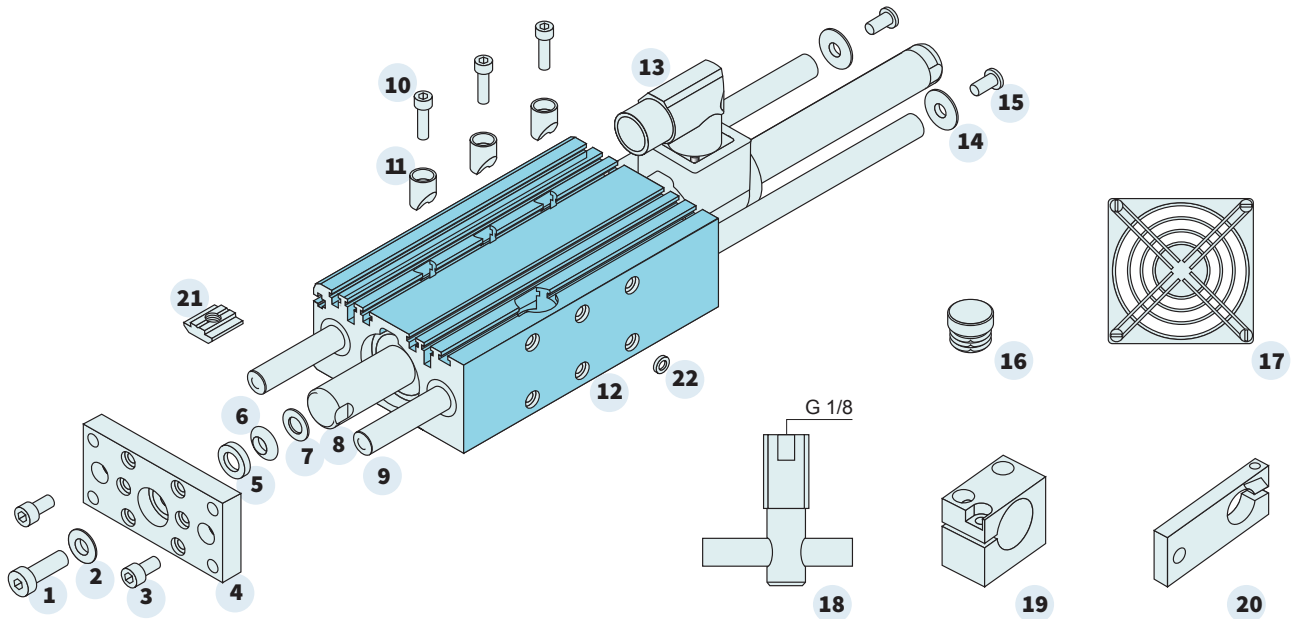
ANGULAR DEFLECTION



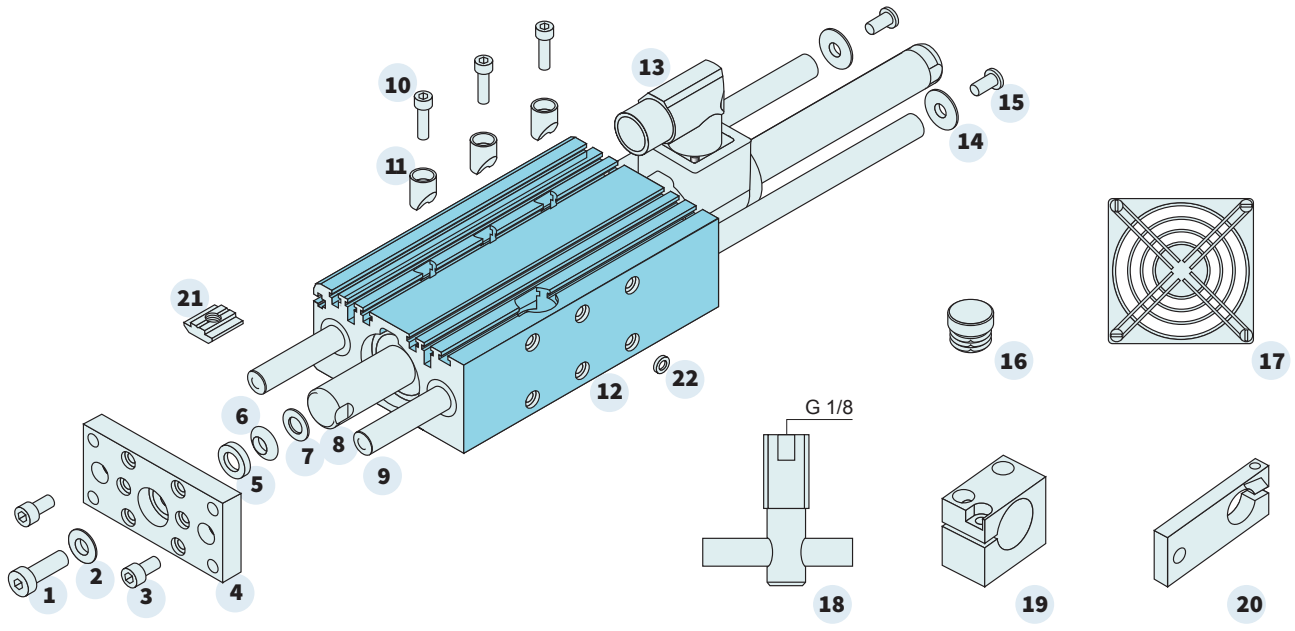
Angular deflection (twist) of the mounting plate depends
 on the torque load to be absorbed and the cantilever exten-
 sion.

The angular deflection for smaller or larger torques can be
 linearly extrapolated from the deflection in the diagram.





PARTS LIST													
Linear Guide H01	H01-23x86		H01-23x166		H01-37x166		H01-37x286		H01-48x250		H01-48x370		
1	Slider screw	ISO 4762 M5x18	ISO 4762 M5x18	DIN7984 M8x25	DIN7984 M8x25	DIN7984 M10x35	DIN7984 M10x35	DIN7984 M10x35	DIN7984 M10x35	DIN7984 M10x35	DIN7984 M10x35	DIN7984 M10x35	
2	Socket washer (f)	DIN 6319 c / M6	DIN 6319 c / M6	DIN 6319 c / M8	DIN 6319 c / M8	DIN 6319 c / M10	DIN 6319 c / M10	DIN 6319 c / M10	DIN 6319 c / M10	DIN 6319 c / M10	DIN 6319 c / M10	DIN 6319 c / M10	
3	Shaft screw	ISO 4762 M5x12	ISO 4762 M5x12	ISO 4762 M6x12	ISO 4762 M6x12	ISO 4762 M8x20	ISO 4762 M8x20	ISO 4762 M8x20	ISO 4762 M8x20	ISO 4762 M8x20	ISO 4762 M8x20	ISO 4762 M8x20	
4	Front plate	0150-5004	0150-5004	0150-5005	0150-5005	0150-5087	0150-5087	0150-5087	0150-5087	0150-5087	0150-5087	0150-5087	
5	Ball washer (r)	DIN 6319 d / M5	DIN 6319 d / M5	DIN 6319 d / M8	DIN 6319 d / M8	DIN 6319 d / M10	DIN 6319 d / M10	DIN 6319 d / M10	DIN 6319 d / M10	DIN 6319 d / M10	DIN 6319 d / M10	DIN 6319 d / M10	
6	Socket washer (r)	DIN 6319 c / M5	DIN 6319 c / M5	DIN 6319 c / M8	DIN 6319 c / M8	DIN 6319 c / M10	DIN 6319 c / M10	DIN 6319 c / M10	DIN 6319 c / M10	DIN 6319 c / M10	DIN 6319 c / M10	DIN 6319 c / M10	
7	Dished washer	DIN 2093A 10/5,2/0,5	DIN 2093A 10/5,2/0,5	DIN 2093A 16/8,2/0,9	DIN 2093A 16/8,2/0,9	DIN 2093A 20/10,2/1,1	DIN 2093A 20/10,2/1,1	DIN 2093A 20/10,2/1,1	DIN 2093A 20/10,2/1,1	DIN 2093A 20/10,2/1,1	DIN 2093A 20/10,2/1,1	DIN 2093A 20/10,2/1,1	
8	Slider	PL01-12x...	PL01-12x...	PL01-20x...	PL01-20x...	PL01-20x...	PL01-20x...	PL01-28x...	PL01-28x...	PL01-28x...	PL01-28x...	PL01-28x...	
9	Hardened steel shafts for ball bearings	HL01-10x...	Art-Nr.	HL01-10x...	Art-Nr.	HL01-12x...	Art-Nr.	HL01-12x...	Art-Nr.	HL01-16x...	Art-Nr.	HL01-16x...	Art-Nr.
		160	0150-5006	260	0150-5007	260	0150-5010	360	0150-5011	440	0150-5090	487	0150-5119
		260	0150-5007	360	0150-5008	360	0150-5011	460	0150-5012	530	0150-5091	607	0150-5120
		360	0150-5008	460	0150-5009	460	0150-5012	560	0150-5013	650	0150-5092	697	0150-5121
									740	0150-5093	920	0150-5234	
	Stainless steel shafts for plain bushings GF	160-GF	0150-5066	260-GF	0150-5067	260-GF	0150-5070	360-GF	0150-5071	440-GF	0150-5094	487-GF	0150-5127
		260-GF	0150-5067	360-GF	0150-5068	360-GF	0150-5071	460-GF	0150-5072	530-GF	0150-5095	607-GF	0150-5128
		360-GF	0150-5068	460-GF	0150-5069	460-GF	0150-5072	560-GF	0150-5073	650-GF	0150-5096	697-GF	0150-5129
									740-GF	0150-5097	920-GF	auf Anfrage	
10	Clamping screw	ISO 4762 M5x18	ISO 4762 M5x18	ISO 4762 M5x18	ISO 4762 M5x18	ISO 4762 M6x25	ISO 4762 M6x25	ISO 4762 M6x25	ISO 4762 M6x25	ISO 4762 M6x25	ISO 4762 M6x25	ISO 4762 M6x25	
11	Clamping cylinder	0150-5053	0150-5053	0150-5053	0150-5053	0150-5053	0150-5053	0150-5053	0150-5053	0150-5053	0150-5053	0150-5053	
12	Guide block with ball bearings	0150-5000	0150-5001	0150-5002	0150-5003	0150-5003	0150-5003	0150-5003	0150-5003	0150-5003	0150-5003	0150-5003	
	Guide block with plain bushing GF	0150-5060	0150-5061	0150-5062	0150-5063	0150-5063	0150-5063	0150-5063	0150-5063	0150-5063	0150-5063	0150-5063	
13	Stator	Typ	Art-Nr.	Typ	Art-Nr.	Typ	Art-Nr.	Typ	Art-Nr.	Typ	Art-Nr.	Typ	Art-Nr.
		PS01-23x80-R	0150-1233	PS01-23x160-R	0150-1234	PS01-37x120-C	0150-1223	PS01-37x240-C	0150-1224	PS01-48x240-C	0150-1219	PS01-48x360F-C	0150-1269
		PS01-23x80-R20	0150-1241	PS01-23x160F-R	0150-1235	PS01-37x120-C20	0150-1237	PS01-37x240F-C	0150-1225	PS01-48x240F-C	0150-1220		
		PS01-23x80	0150-1201	PS01-23x160-R20	0150-1242	PS01-37x120	0150-1204	PS01-37x240-C20	0150-1238				
				PS01-23x160F-R20	0150-1243			PS01-37x240F-C20	0150-1239				
				PS01-23x160	0150-1202			PS01-37x240	0150-1203				



14	Washer	5x20/1,5	5x20/1,5	6x20/1,5	6x20/1,5	8x30/2,0	8x30/2,0
15	Shaft screw	ISO 7380 M5x12	ISO 7380 M5x12	ISO 7380 M6x12	ISO 7380 M6x12	ISO 7380 M8x16	ISO 7380 M8x16
16	Brake hole cap			HDPE 20mm	HDPE 20mm	HDPE 24mm	HDPE 24mm
Fan							
17	Set	0150-5050	0150-5050	0150-5051	0150-5051	0150-5051	0150-5051
Brake							
18	Pneumatic Brake			0150-5052	0150-5052	0150-5098	0150-5098
Magspring							
19	Flange	0250-2306	0250-2306	0250-2307	0250-2307	0250-2307	0250-2307
20	Adapter	0250-0116	0250-0116	0250-0117	0250-0117	0250-0118	0250-0118
Accessories							
21	Sliding Block					0150-3245	0150-3245
22	Center Sleeve	0150-3251	0150-3251	0150-3251	0150-3251	0150-3252	0150-3252
23	Wiper			0150-5108	0150-5108	0150-5109	0150-5109

13