

Cam action indexing plungers

Guide steel, blackened

SPECIFICATION

Types

- Type **A**: without plastic caps
- Type **B**: with plastic caps

Steel

- Blackened
- Plunger pin nitrided

Cap

Plastic (Polyamide PA)
Black, matte



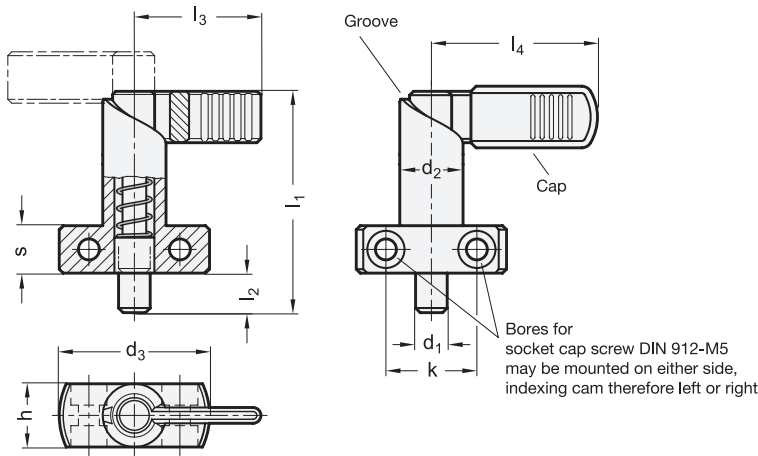
INFORMATION

Cam action indexing plungers GN 612.2 are used in cases where the locking pin must not protude all the time. By rotating the lock through 180° the locking pin withdraws itself. A groove keeps the plunger in this position.

- Range of cam action indexing plungers (see page)

TECHNICAL INFORMATION

- ISO-Fundamental Tolerances (see page)
- Plastic characteristics (see page)
- Load rating information (see page)



GN 612.2

Description	d1 Pin 0/-0.05 Bore H7	d2	d3	h	k	l1	l2	l3	l4	s	Spring load in N ≈ initial	Spring load in N ≈ end	
GN 612.2-6-16-A	6	16	35	16	20	56	10	32	-	12	12	32	62
GN 612.2-8-16-A	8	16	35	16	20	56	10	32	-	12	12	32	84
GN 612.2-8-20-A	8	20	40	20	22	69	12	37	-	15	21	58	167
GN 612.2-10-16-A	10	16	35	16	20	56	10	32	-	12	12	32	86
GN 612.2-10-20-A	10	20	40	20	22	69	12	37	-	15	21	58	169
GN 612.2-12-20-A	12	20	40	20	22	69	12	37	-	15	21	58	170
GN 612.2-6-16-B	6	16	35	16	20	56	10	-	42	12	12	32	85
GN 612.2-8-16-B	8	16	35	16	20	56	10	-	42	12	12	32	86
GN 612.2-8-20-B	8	20	40	20	22	69	12	-	52	15	21	58	170
GN 612.2-10-16-B	10	16	35	16	20	56	10	-	42	12	12	32	90
GN 612.2-10-20-B	10	20	40	20	22	69	12	-	52	15	21	58	173
GN 612.2-12-20-B	12	20	40	20	22	69	12	-	52	15	21	58	180

