

Sold & Serviced by

RIVER BEND



INDUSTRIES

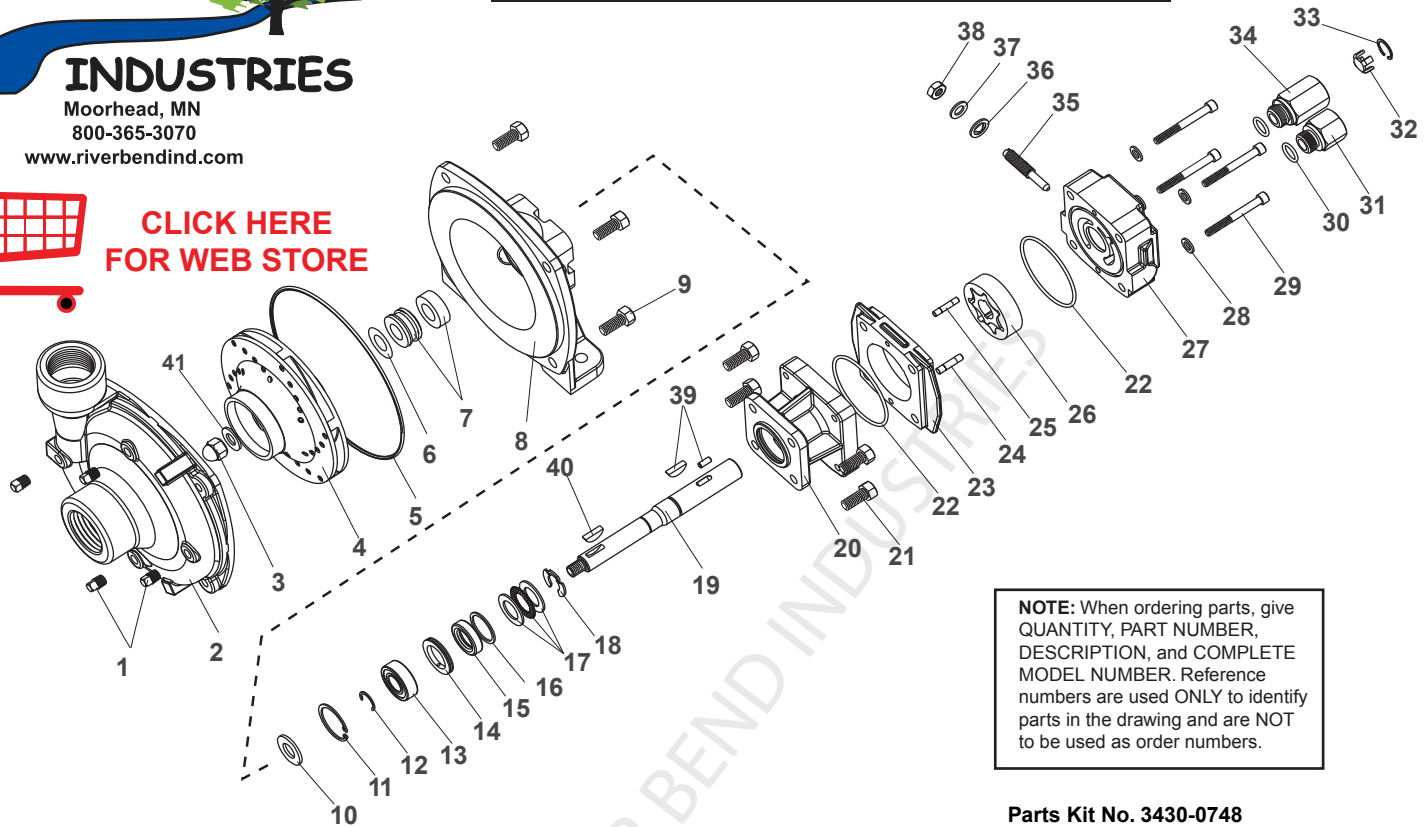
Moorhead, MN
800-365-3070

www.riverbendind.com



**CLICK HERE
FOR WEB STORE**

Also used on 1995 - 2002 854 and
2003-2004 864/1064/1264 Rogators
Replacement Pump for these is 9306C-HM5C



NOTE: When ordering parts, give QUANTITY, PART NUMBER, DESCRIPTION, and COMPLETE MODEL NUMBER. Reference numbers are used ONLY to identify parts in the drawing and are NOT to be used as order numbers.

Repair Parts Kit No. 3430-0332

Contains: One o-ring (Ref. 5), one rubber gasket (Ref 6) and one mechanical seal (Ref 7)

Silicon Seal Kit No. 3430-0589

Contains one each: 1720-0083 o-ring (Ref. 5) and one mechanical seal (silicon carbide) (Ref.7).

Hydraulic Motor Part #s

2500-0009C (HM1C Models)
2500-0011C (HM3C Models)
2500-0018C (HM5C Models)

Parts Kit No. 3430-0748

Contains: One each ball bearing (Ref. 13), motor shaft seal (Ref. 15), thread seal gasket (Ref. 36), and washer (Ref. 37), two each motor housing o-rings (Ref. 22), and port adapter o-rings (Ref. 30).

Ref. No.	Qty. Req'd.	Part No.	Description
1	4	2406-0007	Drain/Vent Plug
2	1	0154-9200C1	Pump Casing (2 x 1-1/2)
3	1	2253-0002	Impeller Nut
4	1	0401-9200P2	Impeller (Nyglass, Standard.)
4	1	0405-9200P	Impeller (Optional Polypropylene)
5	1	1720-0083	O-Ring
6	1	1700-0100	Rubber Gasket
7	1	2120-0009	Mechanical Seal (Viton) (Standard)
7	1	3430-0589	Mechanical Seal (Silicon Carbide) (Optional) Same as John Deere AN206043
8	1	0750-9300C	Mounting Flange
9	4	2210-0020	Hex Head Cap Screw
10	1	1410-0056	Slinger Ring
11	1	1820-0013	Retaining Ring
12	1	1810-0014	Snap Ring
13	1	2000-0010	Ball Bearing
14	1	1410-0073	Spacer
15	1	2104-0010	Shaft Seal
16	1	1410-0074	Seal Spacer
17	1	2029-0014	Thrust Bearing Assembly—Consists of: (1) Thrust Bearing & (2) Thrust Brg. Races
18	1	1810-0026	Snap Ring
19	1	3430-0852	Shaft (HM1C & HM5C Models) 7" Prev 0533-2500
19	1	3430-0855	Shaft (HM3C Models) 7-1/2" Long Prev 0536-2500
20	1	0151-2500C	Motor Body (Includes Main Bearing)
21	4	2210-0005	Hex Head Cap Screw
22	2	1720-0110	O-ring
23	1	0700-2500C	Gerotor Housing (HM1C Models) 1/2" Wide

Ref. No.	Qty. Req'd.	Part No.	Description
23	1	0702-2500C	Gerotor Housing (HM3C Models) 1" Wide
23	1	0704-2500C	Gerotor Housing (HM5C Models) 5/8" Wide
24	1	1600-0044	Dowel Pin (HM1C & HM5C Models)
24	1	1600-0052	Dowel Pin (HM3C Models)
25	1	1600-0037	Dowel Pin (HM1C & HM5C Models)
25	1	1600-0068	Dowel Pin (HM3C Models)
26	1	3900-0022	Gerotor (HM1C Models)
26	1	3900-0024	Gerotor (HM3C Models)
26	1	3900-0048	Gerotor (HM5C Models)
27	1	0251-2500C	Motor End Plate (Includes Main Bearing)
28	4	2270-0039	Washer
29	4	2220-0021	Cap Screw (HM1C Model)
29	4	2220-0032	Cap Screw (HM5C Model)
29	4	2220-0044	Cap Screw (HM3C Model)
30	2	1720-0108	O-Ring
30	1	0251-2500C	Motor End Plate (Includes Main Bearing)
31	1	3360-0021	Pressure Port Adapter
32	1	3260-0039	Poppet
33	1	1820-0023	Retaining Ring
34	1	3320-0016	Tank Port Adapter
35	1	3220-0029	Bypass Adjusting Screw
36	1	1700-0047	Gasket
37	1	2270-0027	Washer
38	1	2250-0038	Lock Nut
39	1	1610-0031	Roll Pin (HM1C & HM5C Models)
39	1	1610-0030	Woodruff Key (HM3C)
40	1	1610-0012	Woodruff Key
41	1	2270-0071	Washer