



Heat Detector, 84°C

Salwico NS-AH/CS

Part no. N11232

System: Salwico CS3000*, CS4000, NSAC-1 fire alarm system

Description

The NS-AH/CS is an analogue addressable heat detector for Salwico addressable fire alarm systems. It has a pre-programmed static alarm level of 84°C and it also gives a rate of rise pre-alarm. The detector is marked with a red spot.

This low profile heat detector uses a high quality electronic sensing element of low thermal mass, which gives very accurate and fast temperature readings. The temperature can be displayed on the fire alarm panel.

When the detector is in alarm condition, a red LED on the detector will be lit. The LED is lit until the alarm has been reset.

The detector is polarity independent. However, if the remote output shall be used, the loop has to be connected according to the drawing below.

The address is set with a DIP switch. An external LED indicator, buzzer etc. can be connected to the remote output.

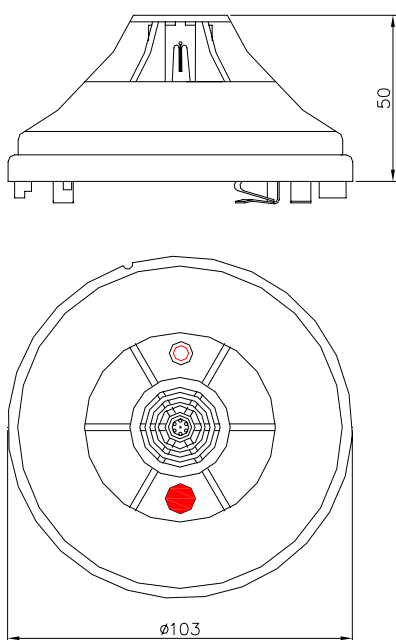
Data

Function	Analogue, addressable
Nominal voltage	24 VDC
Working voltage	15 - 35 VDC
Working current	
- supervising	0.2 mA
- alarm	2.5 mA
Remote output	max 2 mA
Operating temperature	84°C
Pre-alarm temp level	>70°C and rate of rise >10°C/min
Temperature range	-25°C to +90°C
Ambient humidity	0 to 95% RH
Colour	White
Weight	~95 g ~160 g (with IP22 base) ~510 g (with IP55 base)

For information about suitable base plates, see separate document "Base matrix Salwico units".

*Only with SPK-2 for NOSE based detectors.

Dimensions (mm)



Connection

