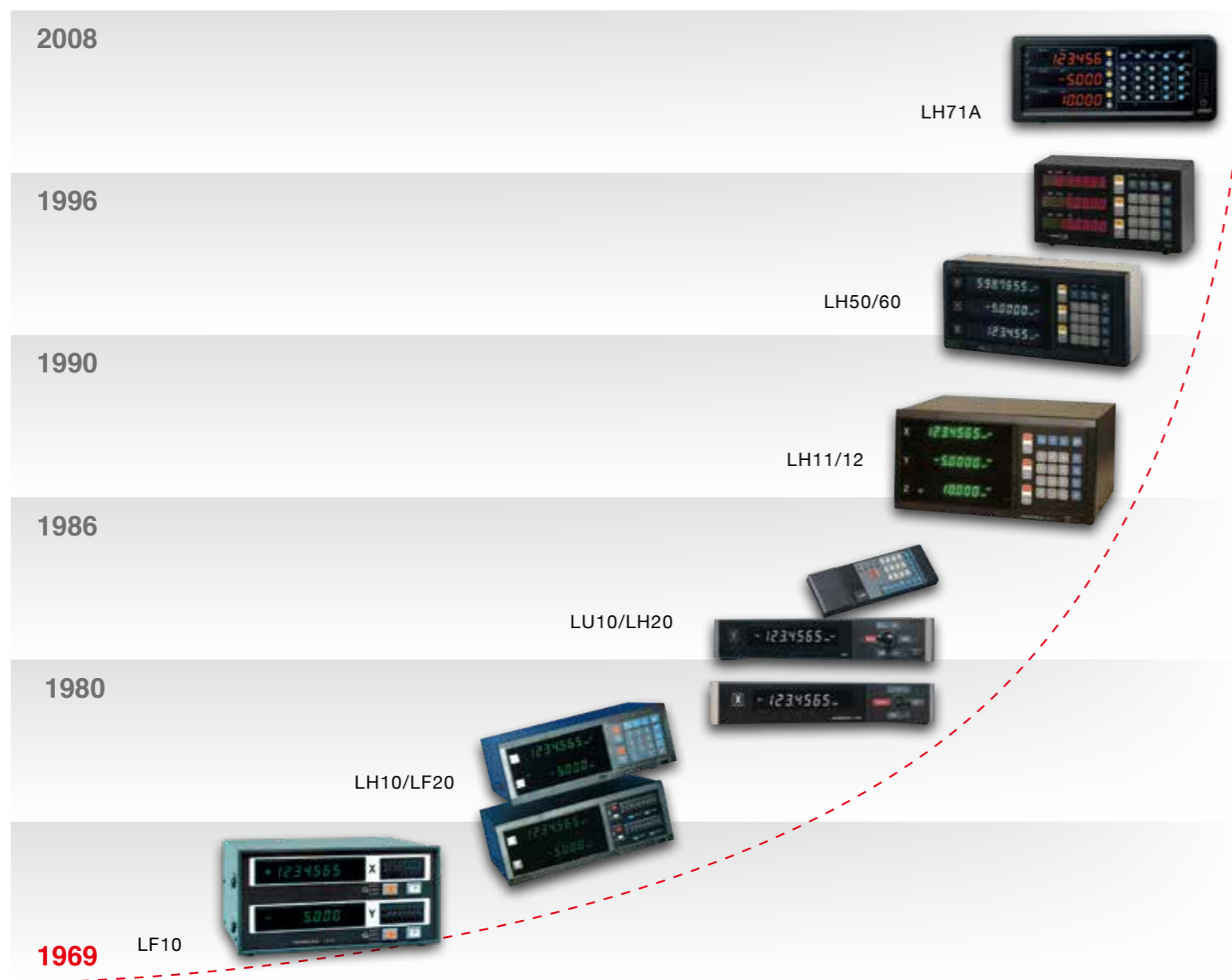


SPEED X PRECISION

Over Fifty Years of Legendary Reliability Magnescale counter history



Some old models may require adapter or other accessories. If you have any question, please contact us.

Magnescale Co., Ltd.

International Sales Department	3-1-4 Edagawa, Koto-ku, Tokyo 135-0051, Japan	TEL.+81(0)3-6632-7924	FAX.+81(0)3-6632-7928	E-mail : info-mgs-eng@magnescale.com
Magnescale Americas Inc.	1 Technology Drive, Suite F217, Irvine, CA 92618, USA	TEL.+1(949)727-4017	FAX.+1(949)727-4047	E-mail : info-am@magnescale.com
Magnescale Europe GmbH	Antoniusstrasse 14, 73249 Wernau, Germany	TEL.+49(0)7153-934-291	FAX.+49(0)7153-934-299	E-mail : info-eu@magnescale.com
Service & Parts	45 Suzukawa, Isehara-shi, Kanagawa 259-1146, Japan	TEL.+81(0)463-92-2132	FAX.+81(0)463-92-3090	E-mail : info-css@magnescale.com

<http://www.magnescale.com>

MAGNESCALE is a trademark or registered trademark of Magnescale Co., Ltd., Japan.
The contents of this literature are as of December 2019. Magnescale reserves the right to change product specifications without prior notice.
This catalog is printed with soy ink.
DRO-EA01C
C.1912.CB.1000



Digital Readout

Magnescale Co., Ltd.

**For over 50 years,
Magnescale has been providing
superior accuracy and
legendary reliability to
customers around the world.**

Magnescale magnetic scale technology can maintain high accuracy even under the harsh environments without being affected by condensation, oil or coolant.

With a wide range of capability and installation options, Magnescale magnetic scale technology is suitable for all types of machines.

The Advantages of Magnetic Scales:

- Resistant to oil, dust, vibration and shock
- Easy installation

Suitable for a wide range of applications:

- Grinding machines
- Milling machines
- Lathes
- Drilling machines
- Measuring machines
- Measuring fixtures

Digital Readouts



Multifunction counters LG20, LH70, LH71, LH71A, LH72

The LH70 Series are position counters developed for general-purpose machine tools. LH71A-3 can be used for milling machines and lathes applications by switching initial settings. LH72 is designed for lathes.

Multifunction units LG20 / LH70/71/72 series				
	LG20	LH70	LH71 / LH71A	LH72
Display axes	1, 2, 3			2
Display	7 digits, orange LEDs, floating minus sign			
Display resolution	0.1/0.5/1/5/10 μm	0.1/0.5/1/5/10 μm 1 s /10 s/ 1 min/10 min		
Input signal	A/B quadrature/Z signal (EIA-422)			
Compatible measuring systems	GB-ER, SJ700A and PL20C with SL110 / 130			
Power supply	12 VDC using separate power supply unit PSC-2*A with 100-240 VAC			
Mass	1.5 kg			

Functions at a glance

Model	LG20	LH70	LH71	LH71A	LH72
Reset	■	■	■	■	■
Preset	■	■	■	■	■
Absolute/Incremental		■	■	■	■
Diameter display	■	■	■	■	■
Angle display		■	■	■	■
Alarm display	■	■	■	■	■
Zero point detection		■	■	■	■
Datum points		10	150	150	
Tool memory*		12	99	99	99
Midpoint calculation		■	■	■	■
Scaling			■	■	■
Addition function*		■	■	■	■
Programming function			■	■	■
Bolt hole circle		■	■	■	
Line hole			■	■	
Simple R cutting		■	■	■	
Linear error compensation	■	■	■	■	■
Segment error compensation			■	■	■
Data storage	■	■	■	■	■
Energy saving function	■	■	■	■	■
Navigation function		■	■	■	■
External reset				■	■
Touch sensor function				■	

* only 3 axis display

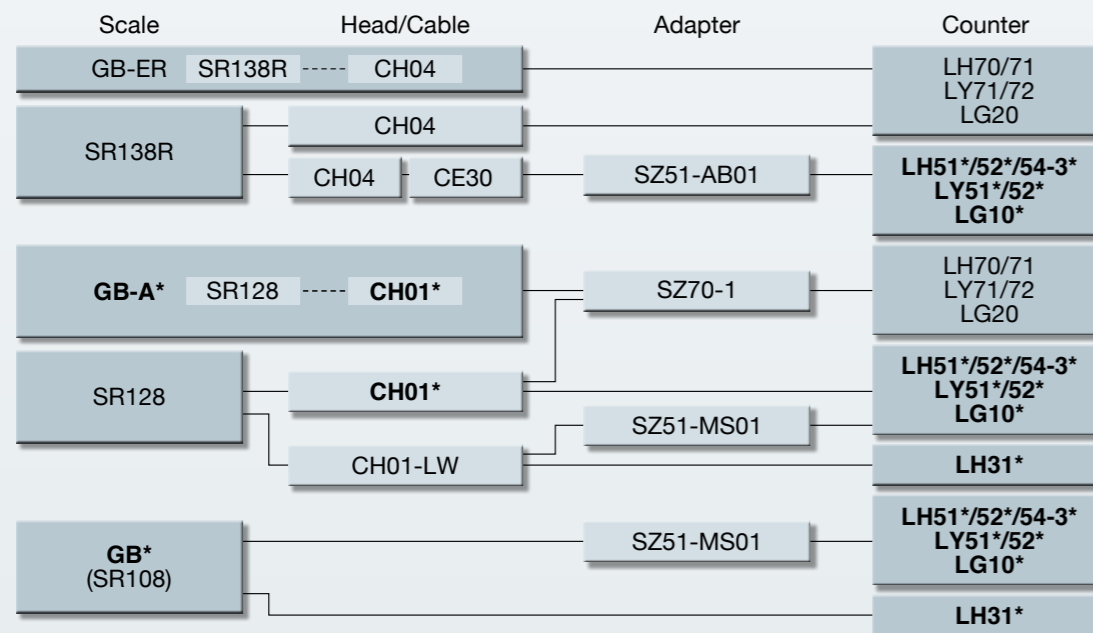
GB-ER

Renowned for its legendary accuracy and reliability, the GB-ER is suitable for precise, high-resolution applications.

- Excellent durability against workshop conditions - resistant to oil, dirt, shock and vibration
- Compact design for easy installation
- Resolution: 0.5 μm
- Accuracy: (5+5L/1000) μm
- Output signal : A/B quadrature, Z signal



GB Series Connection Chart



Products marked * are discontinued

SJ700A

Reliable magnetic scale general purpose applications

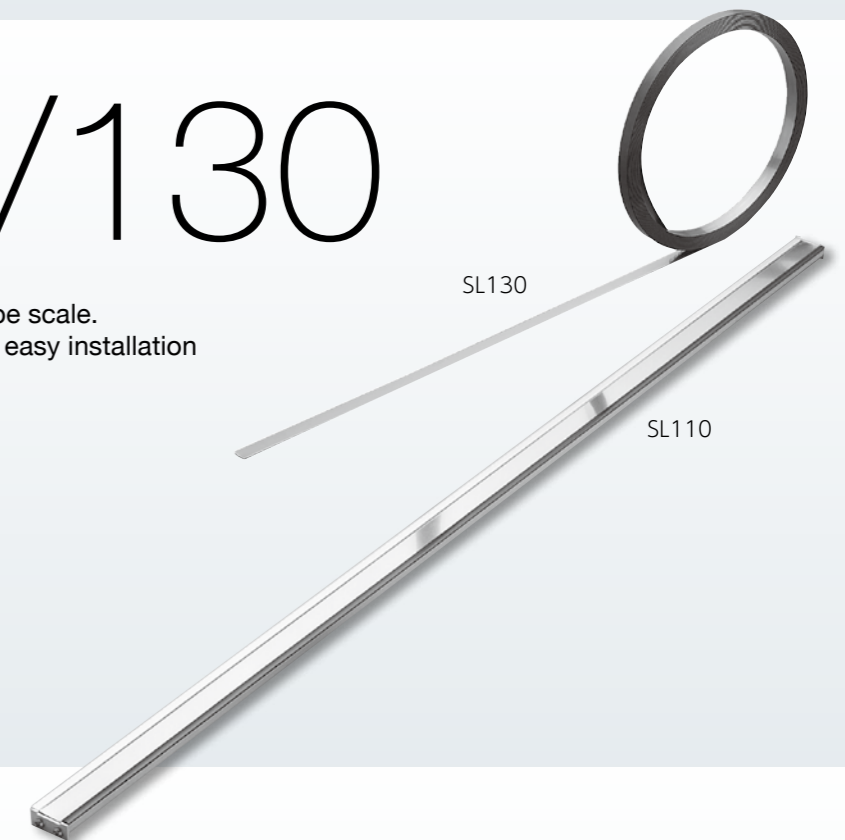
- Same coefficient of expansion as machine tools
- Measuring length: 150 mm to 1600 mm / 5.9" to 62.9"
- Resolution: 5 μm
- Accuracy: $\pm 10 \mu\text{m}$, $\pm 15 \mu\text{m}$
- Output signal: A/B quadrature



SL110/130

Digiruler is a non-contact, flexible magnetic tape scale. This design creates unparalleled durability and easy installation for all types of measurement applications.

- Available in lengths up to 30 m (SL130)
- Cost efficient for applications from woodworking to metal cutting
- Resolution: 10 μm (with PL20C)
- Max. response speed: 300 m/min (with PL20C)



PL20C

Reader Head with Cable (for SL110/SL130)

- Excellent resistance to workshop conditions (IP65)
- Resistant to oil, dirt, vibration, and shock
- Resolution: 10 μm (with SL110/130)
- Max. response speed: 300 m/min
- Output signal: A/B quadrature



GB-ER

Specifications		GB-ER
Model	GB-ER	
Measurement Length (ML) L: mm(inch)	50 (1.9"), 100 (3.9"), 150 (5.9"), 200 (7.8"), 250 (9.8"), 300 (11.8"), 350 (13.7"), 400 (15.7"), 450 (17.7"), 500 (19.6"), 550 (21.6"), 600 (23.6"), 650 (25.5"), 750 (29.5"), 850 (33.4"), 950 (37.4"), 1050 (41.3"), 1250 (49.2"), 1400 (55.1"), 1600 (62.9"), 1850 (72.8"), 2050 (80.7"), 2200 (88.6")	
Overall length	Measuring length + 104 mm (4.1") (ML : 50 to 200 mm) Measuring length + 120 mm (4.7") (ML : 250 to 2200 mm)	
Max. travel	L + 14 mm (ML : 50 to 200 mm) L + 30 mm (ML : 250 to 2200 mm)	
With or without Centerfootplate	Included with ML: 1050 mm to 2200 mm Excluded ML: 50 mm to 950 mm	
Accuracy at 20 °C	(5 + 5L / 1000) μm	
Resolution	0.5 μm	
Max. response speed (scale signal, reference signal)	60 m/min	
Reference point	Standard:Center of scale, User-defined position also available	
Mounting parallelism	± 0.1 mm	
Thermal expansion coefficient	(11±1) × 10 ⁻⁶ /°C	
Operating temperature	0 °C to 40 °C/ 32 °F to 104 °F	
Storage temperature	-10 °C to 50 °C/ 14 °F to 122 °F	
Head cable length	0.3 m	
Cable length	3 m	
Protection grade	Scale: IP65 (Interpolation Unit: IP30)	
Input/Output signal	Output signal	A/B quadrature signal, Z signal
	Power supply	+5 VDC ±5 %
	Connector	D-sub 9 pin
Power consumption	Max. 200 mA	

SJ700A

Specifications		SJ700A
Model	SJ700A	
Measurement Length (ML) L: mm(inch)	150 (5.9"), 250 (9.8"), 350 (13.7"), 400 (15.7"), 500 (19.6"), 650 (25.5"), 800 (31.5"), 950 (37.4"), 1050 (41.3"), 1250 (49.2"), 1400 (55.1"), 1600 (62.9")	
Overall length	Measuring length + 120 mm (4.73")	
Max. travel	Measuring length + 20 mm (0.78")	
With or without Centerfootplate	Included with ML: 1250 mm to 1600 mm Excluded ML: 150 mm to 1050 mm	
Accuracy at 20 °C	±10 μm (Measuring length 1250 mm (49.21") or less) ±15 μm (Measuring length 1400 mm (55.12") or more)	
Resolution	5 μm	
Thermal expansion coefficient	(12 ±1) × 10 ⁻⁶ /°C	
Operating temperature	0 °C to 40 °C/ 32 °F to 104 °F	
Storage temperature	-20 °C to 60 °C/ -4 °F to 140 °F	
Cable length	3 m (SJ700A-015 to 080) 5 m (SJ700A-095 to 160)	
Protection grade	IP54 (except interpolation unit)	
Input/Output signal	Output signal	A/B quadrature signal
	Power supply	+5 VDC ±5 %
	Connector	D-sub 9 pin
Power consumption	Max. 200 mA	

SL110/130

Specifications	SL110		SL130	
	-20 to -200		-20 to -700	-800 to -3000
Measurement length L mm (inch)	200/300/400/500/600/700/800/1000/1200/1500/1600/1700/1800/2000 (7.8/11.8/15.7/19.6/23.6/27.5/31.4/39.3/47.2/59.0/62.9/66.9/70.8/78.7)		200/300/400/500/600/700/800/1000/1200/1500/1600/1700/1800/2000/2500/3000/4000/5000/6000/7000 (7.8/11.8/15.7/19.6/23.6/27.5/31.4/39.3/47.2/59.0/62.9/66.9/70.8/78.7/98.4/118.1/157.4/196.8/236.2/275.5)	8000/9000/10000/20000/30000 (314.9/354.3/393.7/787.4/1181.1)
Overall length	L+103 mm (4.1")		L+100 mm (3.9")	
Accuracy at 20 °C	± (25 + 5L / 1000) μm		± (25 + 5L / 1000 + 10N) μm N=1 when L=8000 / 9000 / 10000, N=2 when L=20000, N=3 when L=30000	
Resolution	10 μm		10 μm	
Max. response speed	300 m/min		300 m/min	
Thermal expansion coefficient	(10.4 ± 1) × 10 ⁻⁶ /°C		(10.4 ± 1) × 10 ⁻⁶ /°C	
Operating temperature	-5 °C to 45 °C / 23 °F to 113 °F		-5 °C to 45 °C / 23 °F to 113 °F	
Storage temperature	-10 °C to 50 °C / 14 °F to 122 °F		-10 °C to 50 °C / 14 °F to 122 °F	
Compatible reader head	PL20C		PL20C	

*Accuracy shows the value when used with PL20C reader head.

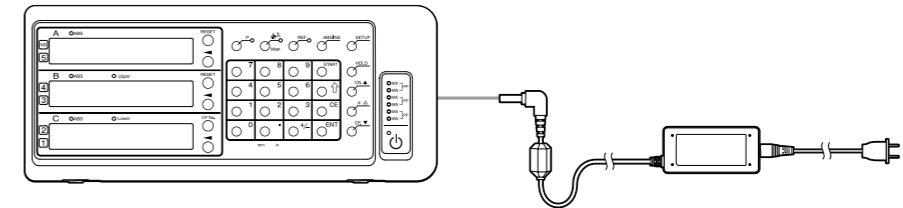
PL20C

Specifications						
Model	PL20C-3/-3C	PL20C-5/-5C	PL20C-10/-10C	PL20C-15/-15C	PL20C-20/-20C	PL20C-30
Cable length	3 m	5 m	10 m	15 m	20 m	30 m
Output signal	AB quadrature signal					
Resolution	10 μm					
Max. response speed	300 m/min					
Protection grade	IP65 (except interpolation unit)					
Head mtg. screw tightening torque	0.7 to 1.1 N·m					
Operating temperature	0 °C to 45 °C/32 °F to 113 °F					
Storage temperature	-10 °C to 50 °C/14 °F to 122 °F					

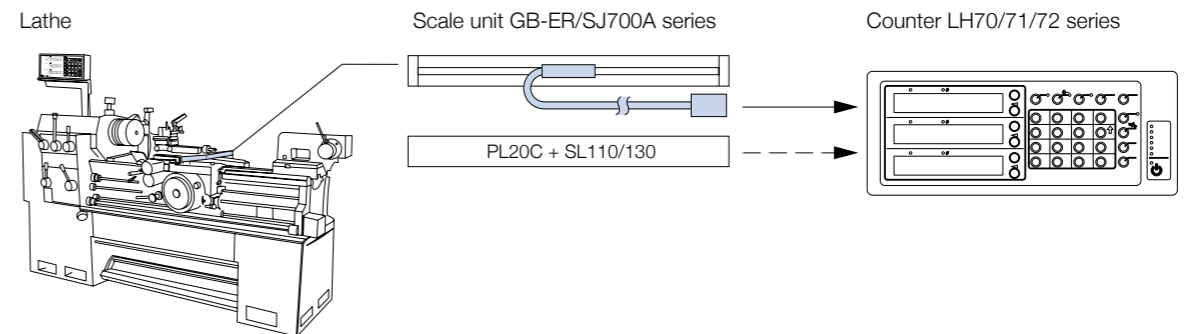
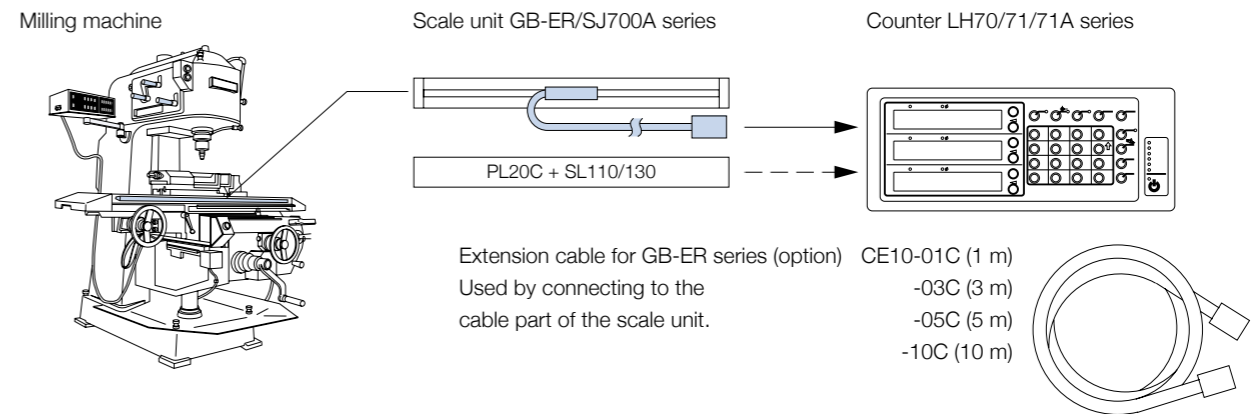
Accessories

Power supply adapter

- PSC-21A (For Japan only) 100 V
 - PSC-22A (For U.S. only) 120 V
 - PSC-23A (For Europe and other countries.) 220 to 240 V
- Please contact our sales for corresponding region.



System configuration



How to order

