



2½" BSP Super Maxi Mk3 Emergency Relief Valve - 2½" BSP male connection with 65mm nominal bore. Suitable for a pressure range of between 3 - 66 PSI (0.21 - 4.55 bar) and a vacuum range of between 0 - 24" Hg (0 - 0.81 bar). Contact parts manufactured in 316 stainless steel. Fitted with Fortyt seals as standard. Complete with rubber/PTFE tank seal.

**Options** - pressure only version. Flanged connections available. Range of high pressure extended body valves. Manual vent button option. A range of alternative seal materials are available.

## Specification

Weight 2.2 Kg  
Design Temperature 200°C (392°F)

Design approval by Lloyds Register of Shipping

Test certificates supplied as standard. Please see separate data sheets for details on flow rates.

Tests may be witnessed and valves individually stamped by an independent inspectorate by arrangement.

Additional range of flanges available.

## Range

Part No.	Pressure	Vacuum
010/13212	31.8 PSI (2.19 bar)	6.2" Hg (-0.21 bar)
010/14812	48 PSI (3.31 bar)	6.2" Hg (-0.21 bar)
010/15412	53.8 PSI (3.71 bar)	6.2" Hg (-0.21 bar)
010/16312	63.8 PSI (4.40 bar)	6.2" Hg (-0.21 bar)

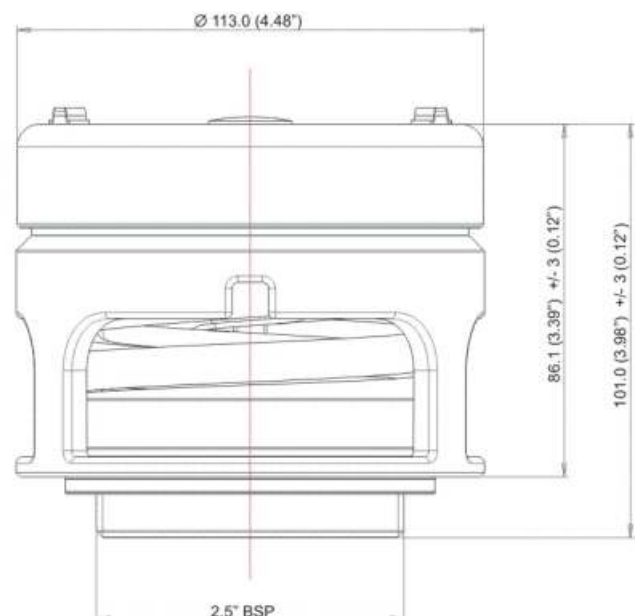
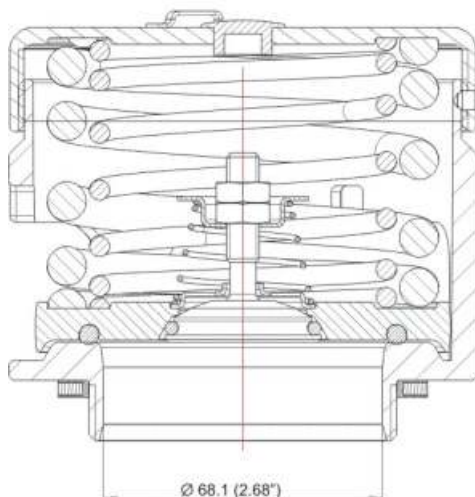
**NB** Above part number varies according to valve pressure and vacuum settings. These are standard settings.

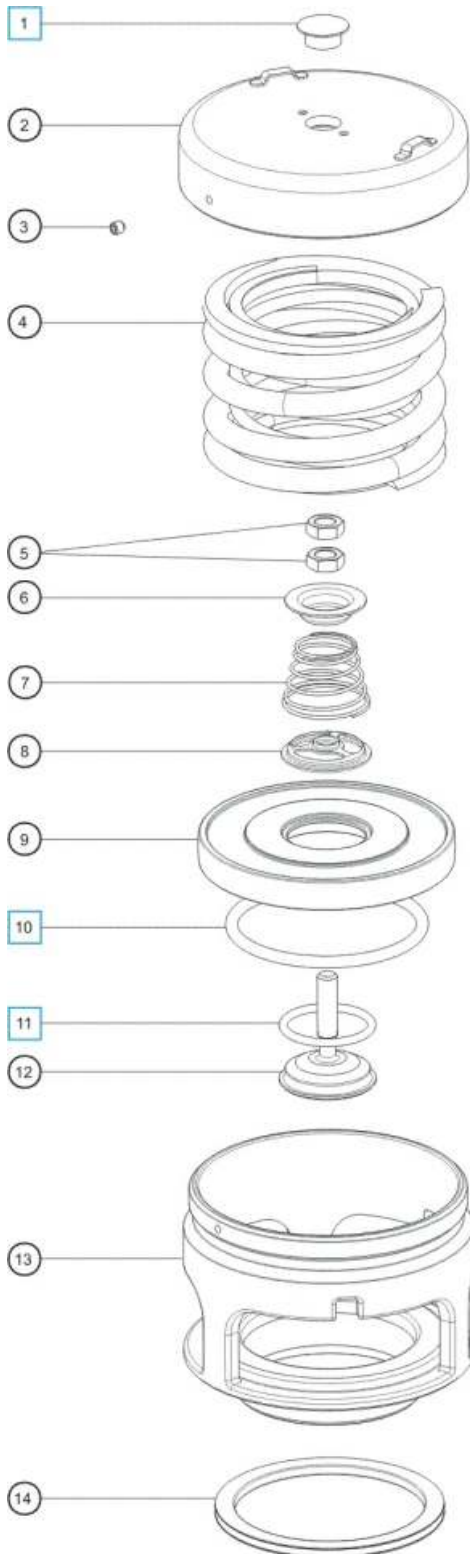
## Associated Parts

Part No.	Associated Parts
600/1000	2½" BSP weld-in socket
176/7020	Adaptor assembly for bursting disc
176/3150	Tank weld-in pad
176/7001	Adaptor flange for bursting disc
862/XXXX	65mm bursting disc – full range available
5005-398	CNAF/PTFE gasket to suit weld-in pad/adaptor flange
921/07BBSP	0-100 PSI pressure gauge, bottom entry, brass internal parts
921/07RBSP	0-100 PSI pressure gauge, rear entry, brass internal parts
920/07BBSP	0-100 PSI pressure gauge, bottom entry, stainless steel internal parts
176/2900	Removeable flameproof gauze
176/6000	Gauzed cowl

## Fitting Details

Example shown : 010/1XXXX



**Parts drawing**


Item	Description	Part No.
1	Plastic plug	10978 <input type="checkbox"/>
2	Cap	1760/0005
3	Setting locking grub screw	5121-001
4	Pressure spring pair <i>see below</i>	6104-XXXX
5	M8 nut (2)	5112-004
6	Vacuum spring pad	1860/0005
7	6" Hg vacuum spring	7104-012
8	Spring pad	10986/3
9	Pressure plate	1860/0056
10	Fortyt pressure O ring	5005-101 <input type="checkbox"/>
11	Fortyt vacuum O ring	5005-108H <input type="checkbox"/>
12	Vacuum poppet	10983V/3
13	Body	1860/0100
14	Rubber/PTFE envelope seal	5005-046

**SEAL KIT**

 Part number **000/1PVSK** contains all parts marked 

Pressure setting	Pressure springs
31.8 PSI	6104-0252
48 PSI	6104-0112 & 6104-0252
53.8 PSI	6104-0422
63.8 PSI	6104-0485


**C SPANNER - PART NUMBER 400/3000**

 For relief valve fitting and removal.  
 Size range 1¼" to 3".

Visual inspection and service (where necessary) is recommended on a 6 monthly basis.

A detailed step-by-step repair manual is now available for our Super Maxi Relief Valves both in printed and CD format. Please contact our Sales team for further information.