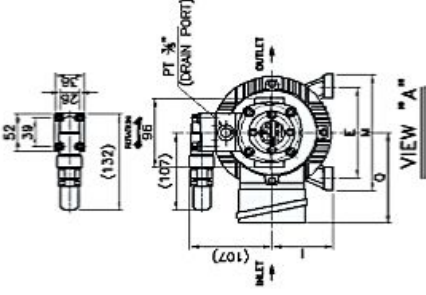
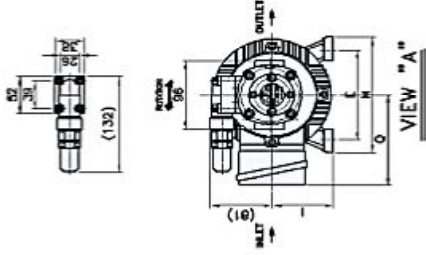
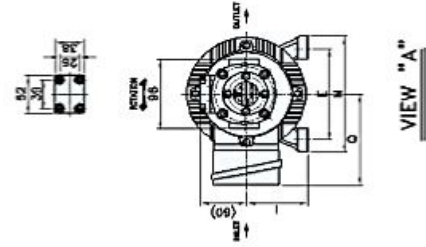
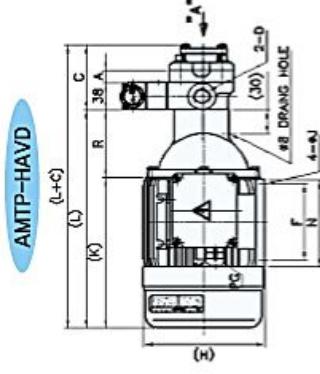
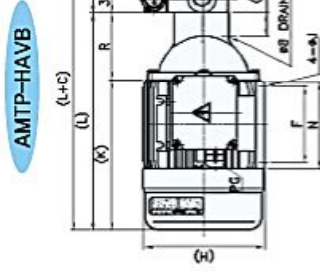
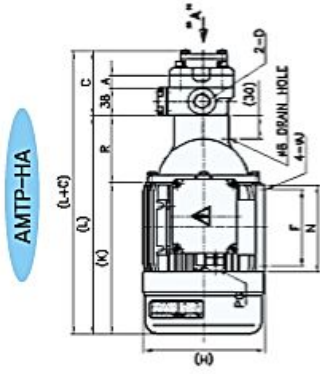


AMTP-HA Series

DST
Double Seal Type

External dimensions 외형도



Type	E	F	H	I	J	K	L	M	N	Q	R	PG
400W	112	90	142	71	7	189	281.5	145	114	108	92.5	PG 11
750W	125	100	160	80	10	209	301.5	160	122	132	92.5	PG 13.5
1500W	140	125	178	90	10	271	360	178	158	140	89	PG 13.5

Type	A	C	D (Port dia)	
			In/Outlet	
AMTP-204 HA HAVB HAVD	7	83.5	PT 1/2"	
AMTP-206 HA HAVB HAVD	10	86.5	PT 1/2"	
AMTP-208 HA HAVB HAVD	14	90.5	PT 1/2"	
AMTP-210 HA HAVB HAVD	17	93.5	PT 3/4"	
AMTP-212 HA HAVB HAVD	20	96.5	PT 3/4"	
AMTP-216 HA HAVB HAVD	27	103.5	PT 3/4"	
AMTP-220 HA HAVB HAVD	33	109.5	PT 3/4"	

Type	Motor 출력 kW	Motor speed 회전수 rpm	Fre - quency 주파수 Hz	Phase 3Ø, Poles 4P Free voltage		
				Rated voltage 전압 V	Current 전류 A	Net weight 중량 kg
400W	0.37	1420	50	200	2.2	13.2
				380	1.3	
				415	1.1	
	0.37	1710	60	220	2.0	13.2
				380	1.2	
				440	1.0	
750W	0.75	1440	50	200	3.5	17.6
				380	2.0	
				415	1.8	
	0.75	1720	60	220	3.2	17.6
				380	1.9	
				440	1.7	
1500W	1.5	1430	50	200	6.0	23.6
				380	3.5	
				415	3.3	
	1.5	1730	60	220	5.5	23.6
				380	3.2	
				440	3.0	