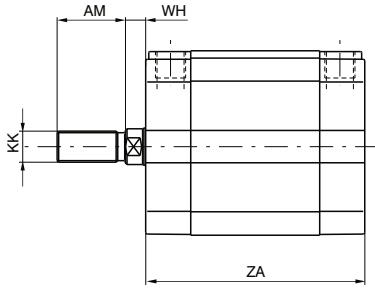
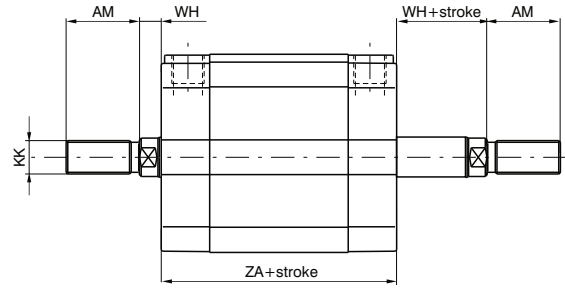


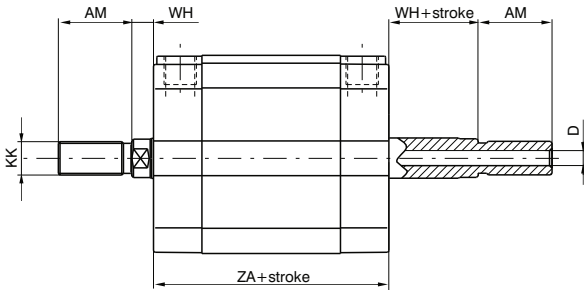
**Basic version male piston rod**



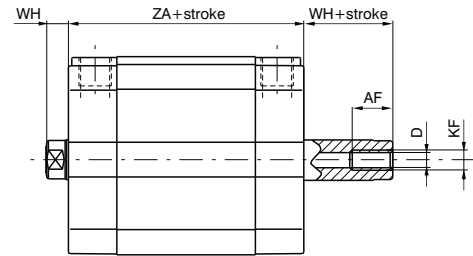
**Push - pull version male rod**



**Push - pull version bored male piston rod**

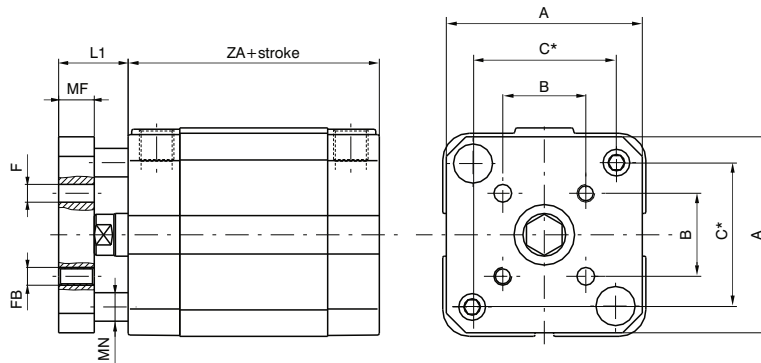


**Push - pull version bored female piston rod**



Maximum allowed stroke = ZB (see table)

**Non-rotating version**



\* = Distance between rods centres

Bore	12	16	20	25	32	40	50	63	80	100
A	28.5	28.5	35.5	39.5	45	55	65	80	100	120
AF	6	8	10	10	12	12	12	12	16	20
AM	16	20	22	22	22	22	24	24	32	40
B	9.9	9.9	12	15.6	19.8	23.3	29.7	35.4	46	56.6
C	18	18	22	26	34	40.5	49	59.5	77	94
D	2.3	3.2	3.8	3.8	4.5	4.5	6	6	8	10
F	3	3	4	5	5	5	6	6	8	10
FB	M 3	M 3	M 4	M 5	M 5	M 5	M 6	M 6	M 8	M 10
KF	M 3	M 4	M 5	M 5	M 6	M 6	M 8	M 8	M 10	M 12
KK	M6X1	M8X1.25	M10X1.25	M10X1.25	M10X1.25	M10X1.25	M12X1.25	M12X1.25	M16X1.5	M20X1.5
L1	10.5	10.5	12.5	13.5	16	16.5	19.5	19.5	22	24
MF	6	6	8	8	10	10	12	12	14	14
MN	5	5	6	6	8	8	10	10	12	12
WH	4.5	4.5	4.5	5.5	6	6.5	7.5	7.5	8	10
ZA	38	38	38	39.5	44.5	45.5	45.5	50	56	66.5
ZB	20	25	50	50	50	50	75	75	80	80