

CENTRIFUGAL BLOWERS

JET SERIES

Jet Series centrifugal blowers are ideal for air knife drying, vacuum, cooling, & exhaust applications.

JetAir's blowers feature belt-free DirectDrive[™] technology. They are enabled by a high-speed motor and an aerodynamically designed impeller. DirectDrive[™] enhances reliability and boosts performance by eliminating belts, tensioning devices, and complex spindle assemblies. Jet Series blowers are engineered for moderate flow and pressure applications from 10HP to 40HP [7.5-30kW]. Their compact design enables them to fit into the widest range of OEM equipment.

MEET THE FAMILY

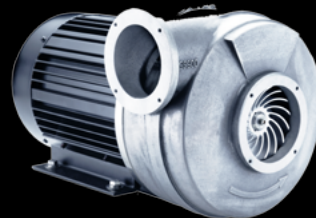
JET-2G[™]



JET-1[™]



JET-5[™]



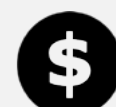



JET-3[™]









	JET-1 [™]	JET-2G [™]	JET-3 [™]	JET-5 [™]
POWER	5-10HP [3.7-7.5kW] Flow: 760cfm [1280M3Hr] Pressure: 65"WG [160mBar] Vacuum: 58"WG [145mBar]	10-20HP [7.5-15kW] Flow: 1350cfm [2300M3Hr] Pressure: 95"WG [240mBar] Vacuum: 85"WG [210mBar]	10-20HP [7.5-15kW] Flow: 1200cfm [2040M3Hr] Pressure: 110" WG [275mBar] Vacuum: 96" WG [240mBar]	30-40HP [22-30kW] Flow: 2200cfm [3738M3Hr] Pressure: 140" WG [350mBar] Vacuum: 120" WG [300mBar]
DIM.	11.34"[288]W 17.60"[447]L 9.91"[251.6]H	13.70"[348]W 18.32"[465]L 12.84"[326]H	13.70"[348]W 12.10"[485]L 12.27"[311]H	15.89"[403]W 23.04"[585]L 14.00"[356]H
MOTOR	TEFC, IP54, External Junction Box 3-Phase, 190-220, 390-480VAC, 50/60Hz, Thermistor, 105°F [40°C] Ambient	TEFC, IP54, External Junction Box 3-Phase, 190-220, 390-480VAC, 50/60Hz, Thermistor, 105°F [40°C] Ambient	TEFC, IP54, External Junction Box 3-Phase, 190-220, 390-480VAC, 50/60Hz, Thermistor, 105°F [40°C] Ambient	TEFC, IP54, External Junction Box 3-Phase, 190-220, 390-480VAC, 50/60Hz, Thermistor, 105°F [40°C] Ambient
CXN	Inlet: 4"Ø [102mm] Outlet: 4"Ø [102mm] 360° Rotation	Inlet: 5"Ø [126mm] Outlet: 4"Ø [102mm] 360° Rotation	Inlet: 5"Ø [126mm] Outlet: 4"Ø [102mm] 360° Rotation	Inlet: 5"Ø [126mm] Outlet: 4"Ø [102mm] 360° Rotation
WT.	67 lbs. [31 kg]	79 lbs. [36 kg]	79 lbs. [36 kg]	180 lbs. [82 kg]
DIRECTDRIVE	 <p><i>DIRECTDRIVE SIDE VIEW</i></p> <p>Jet Series Advantages: More reliability • More efficiency • More compact Lower maintenance costs • Lower electrical consumption Overnight delivery • Single stage centrifugal compressor Oil-less, spindle free design</p>			

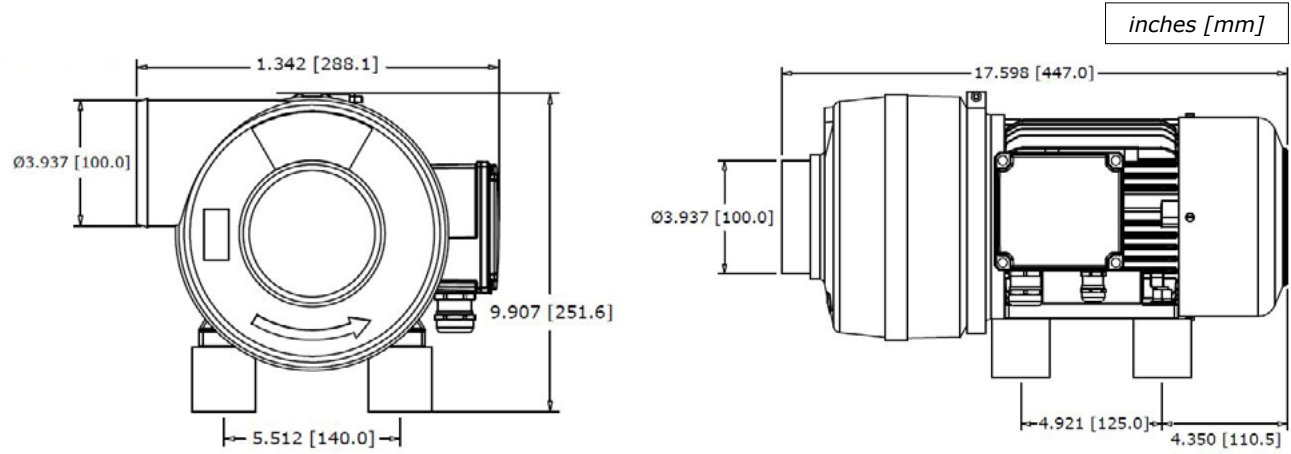
Blower Highlights

 RELIABLE Jet Series blowers include: <ul style="list-style-type: none"> Built-in motor protection Ultra-precise balancing Air cooled Fewer parts Long service life Low maintenance costs No belts Warranty 	 SMART Variable Frequency Drive (VFD) control enables: <ul style="list-style-type: none"> Precise airflow settings Lower utility expenses PLC connectivity Motor protection Nonspiking soft-starts 	 EFFICIENT Jet Series blowers offer: <ul style="list-style-type: none"> 1 year payback 85% savings over compressed air Belt-free reliability 10-12% more efficiency than other blowers The lowest delivery costs 	 WELL DESIGNED IMPELLER: <ul style="list-style-type: none"> 5 axis C355 aluminium BLOWER: <ul style="list-style-type: none"> A356-T6 aluminum with integrated lifting eye Wash-down cover available FOOTPRINT: <ul style="list-style-type: none"> 10-40HP in less than 24"
--	--	--	---

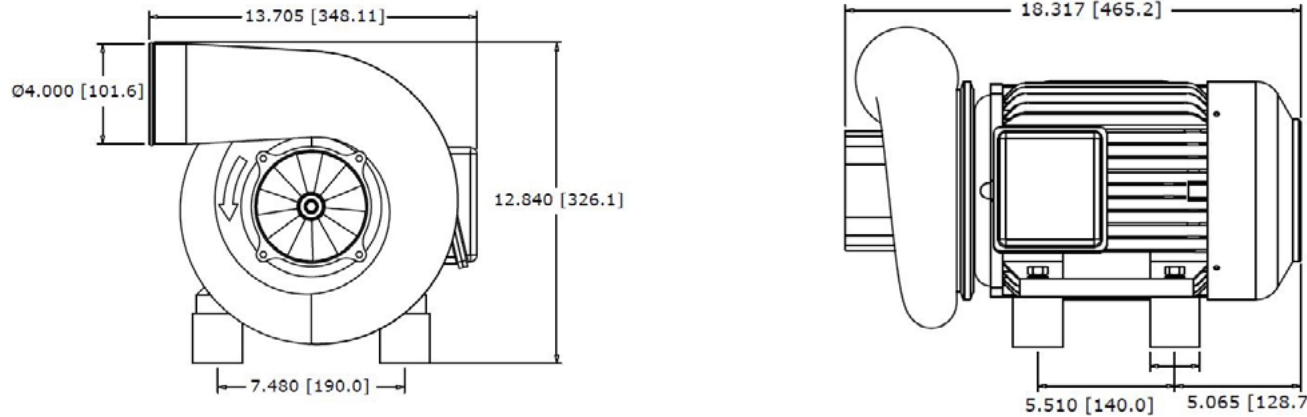
Blower Usage

BEVERAGE	 <ul style="list-style-type: none"> Dry for labeling, coding, inspection, & secondary packaging Single file or mass flow Clean containers using ionized air before filling 	POWDER	 <ul style="list-style-type: none"> Dry powder blenders of any size Remove statically charged powder from container interiors and exteriors
FOOD	 <ul style="list-style-type: none"> Dry for labeling, coding, & secondary packaging Smooth & cure coatings Remove loose product Remove excess water Dry conveyors Move product 	PHARMA	 <ul style="list-style-type: none"> Dry pouches - gusseted, pillow, etc. Air rinse and/or dry containers with HEPA-filtered air Remove debris Dry IV bags
INDUSTRIAL	 <ul style="list-style-type: none"> Machine tool coolant removal Dry sheets, crates, & wire Dry large applications Debris, bead blast, & casting sand removal Dry before coding Edge curing Cooling 	MORE	 <ul style="list-style-type: none"> Automotive: Battery process drying, pre-paint ionized air rinse, parts blow-off Textile: Vacuum cutting tables Customized Solutions: Engineered-to-order systems for drying and air rinsing applications

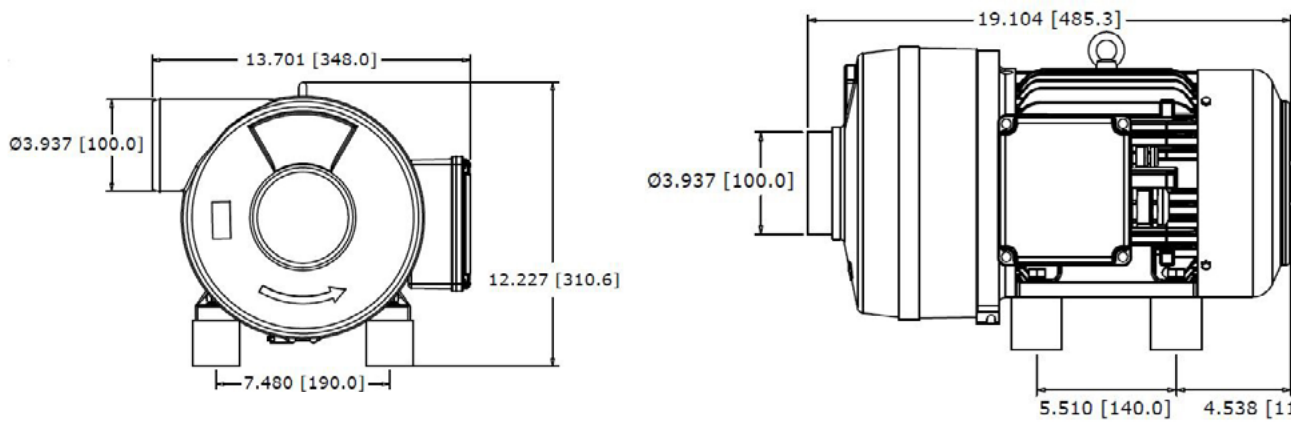
JET-1™



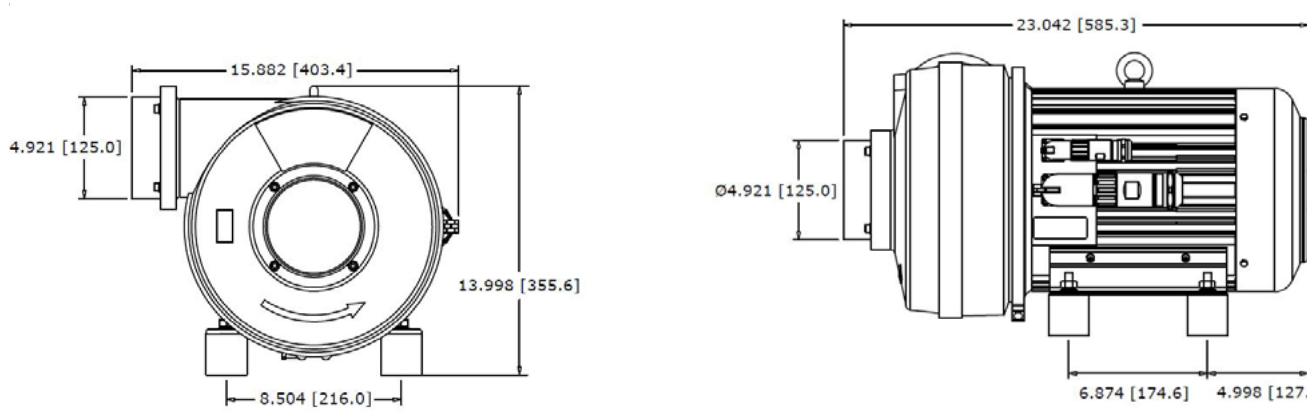
JET-2G™



JET-3™



JET-5™



Blower Curves

Variable frequency drive allows blowers to run at different speeds as shown below.

