

Filterfan® PF1.000



PF 1.000

For versatile incorporation into equipment. Examples are in the medical industry, in EDP equipment, warning and control enclosures and also for low power applications.



System of protection



Click & fit



Germanischer Lloyd certified



Colour

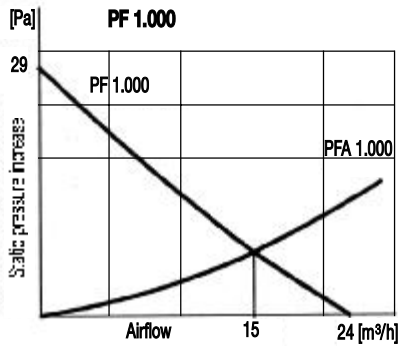
Airflow data:	PF1.000
Filter material (standard grade)	150 g/m ²
Unimpeded airflow	24 m ³ /h; 50 Hz / 28 m ³ /h; 60 Hz
Capacity* free-flow	8 W/K / 9 W/K
Airflow in combination (Filterfan® + Exhaust Filter)	15 m ³ /h; 50 Hz / 17 m ³ /h; 60 Hz (PF 1.000 + PFA1.000)
Capacity* in combination (Filterfan® + Exhaust Filter)	5 W/K / 6 W/K (PF 1.000 + PFA1.000)
Max. static pressure (Airflow = 0 m ³ /h)	29 Pa
Filtration efficiency	73%
Filter material grade (DIN 24 185)	EU 2
Noise level (DIN 45 635)	39 dB(A)
Duty cycle	100%

* based on 10 K difference in temperature

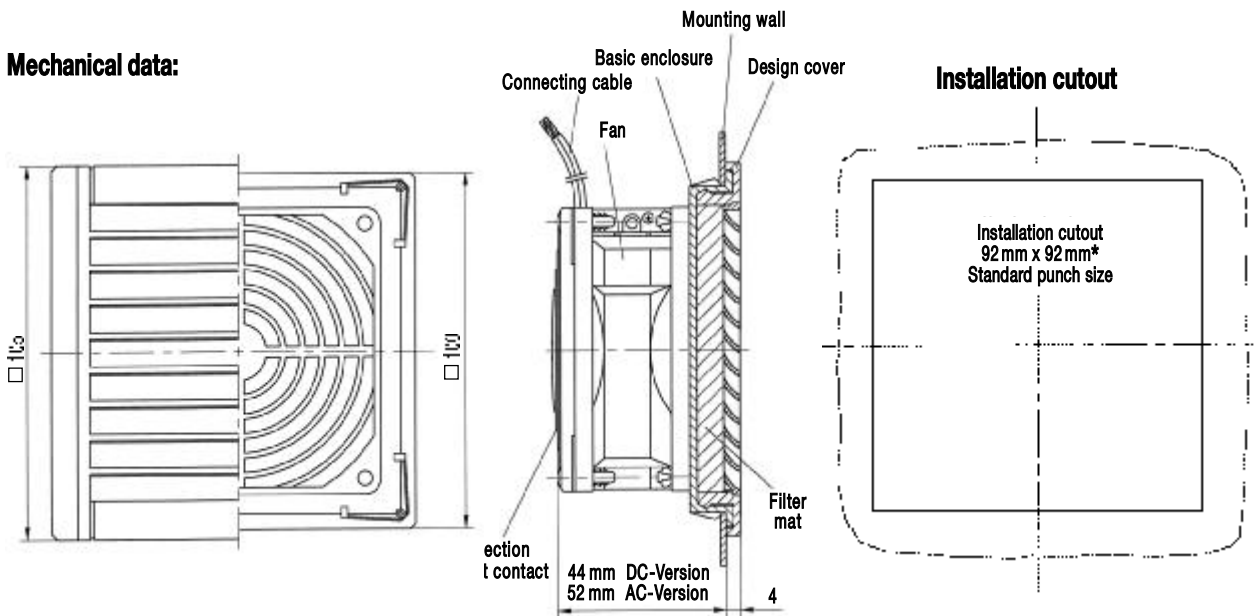
Technical data:	PF1.000	
	AC	DC
Outside dimensions in mm (Height x Width x Installation depth)	105 x 105 x 52	105 x 105 x 44
Bearing type	sleeve bearings	ball bearings
Fitting position	horizontal – vertical	any
Construction	housing and guard of sprayed thermoplastic (PC-FR) self-extinguishing, UL 94 VO	
Weight	0.60 kg	0.45 kg
Safety protection	in accordance with DIN 31 001	
Colour	RAL 7032 (European grey) or black; other colours on request	
Connections	2 wires, 310 mm long	

Electrical data:	PF1.000		
	AC 50 Hz/60Hz		DC
Rated voltage	230V	115V	12V 24V 48V
Range of operation	187V...253V	97V...127V	7V...15V 14V...28V 36V...56V
Power consumption	12W / 11W	12W / 11W	2.4W 2.4W 2.6W

Airflow data:



Mechanical data:



Supplementary data:	AC	DC
Climatic data		
Operating temperature	-10 °C to +60 °C	-20 °C to +60 °C
Storage temperature	-20 °C to +70 °C	
Max. relative humidity	90%	
Protection rating	IP43 (EN 60 529), when installed as specified, not for outdoor-application!	
Basic parts kit	standard filter, mounting- and user manual	
Accessories	radiant heater, fan heater, thermostat, see accessories	
Approvals	German Lloyd (GL)	
* Tolerance installation cutout	92 \pm 1 0	

Filterfan® PF2.000



PF2.000

For a broad range of applications in electronics as well as conventional switchgear installations; a wide range of operating voltages ensures universal usability.

- With integrated foamed seal to enclosure



System of protection



System of protection (see page 64)



Click & fit



UL-Approval



Colour

Airflow data:	PF 2.000
Filter material*	150 g/m ²
Unimpeded airflow	58 m ³ /h; 50 Hz / 65 m ³ /h; 60 Hz
Capacity** free-flow	19 W/K / 22 W/K
Airflow in combination (Filterfan® + Exhaust Filter)	43 m ³ /h; 50 Hz / 49 m ³ /h; 60 Hz (PF2.000 + PFA2.000)
Capacity** in combination (Filterfan® + Exhaust Filter)	14 W/K / 16 W/K (PF2.000 + PFA2.000)
Max. static pressure (Airflow = 0 m ³ /h)	61 Pa
Filtration efficiency	73%
Filter material grade (DIN 24 185)	EU 2
Noise level (DIN 45 635)	49 dB(A)
Duty cycle	100%

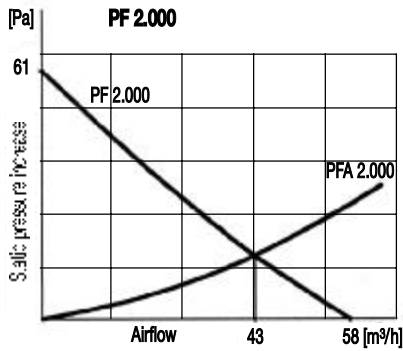
* Standard filter mat 150 g/m² (alternative filter mat in 350 g/m², 500 g/m²)

** based on 10 K difference in temperature

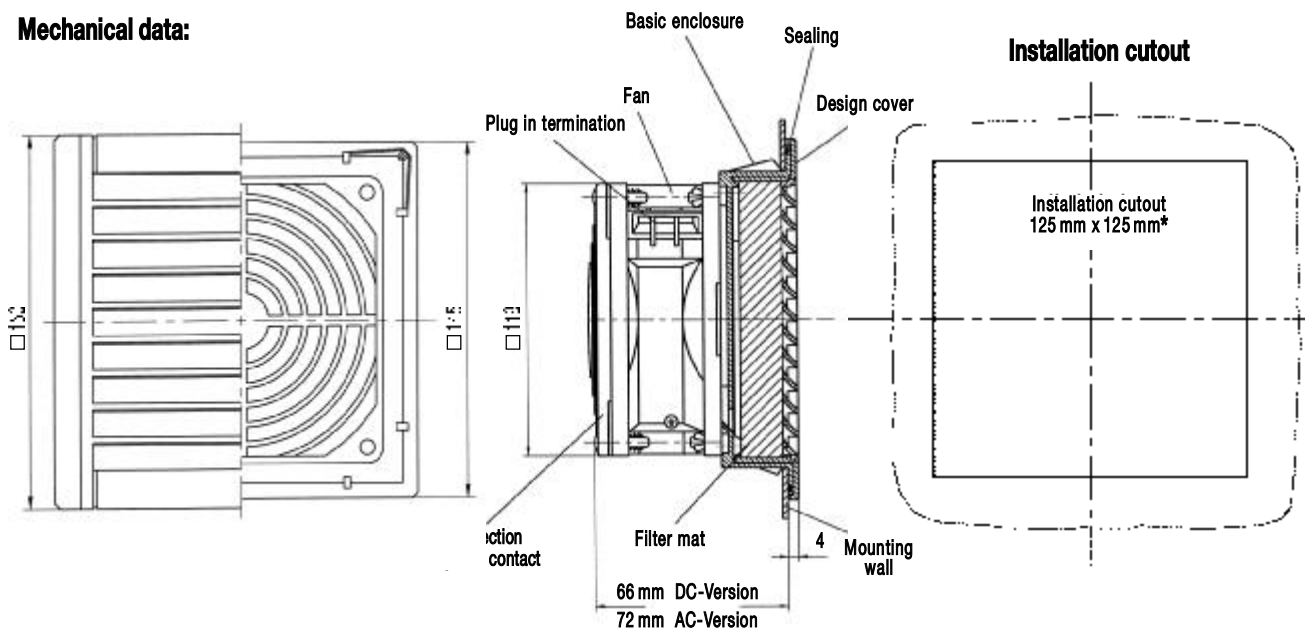
Technical data:	PF 2.000	
	AC	DC
Outside dimensions in mm (Height x Width x Installation depth)	150 x 150 x 72	150 x 150 x 66
Bearing type	sleeve bearings	ball bearings
Fitting position	horizontal – vertical	any
Construction	housing and guard of sprayed thermoplastic (ABS-FR) self-extinguishing, UL 94 VO	
Weight	0.735 kg	0.385 kg
Safety protection	in accordance with DIN 31 001	
Colour	RAL 7032 (European grey) or black; other colours on request	
Connections	terminal strip	2 wires, 310 mm long

Electrical data:	PF 2.000				
	AC 50 Hz/60Hz		DC		
Rated voltage	230V	115V	12V	24V	48V
Range of operation	187V...253V	97V...127V	6V...14V	18V...30V	36V...56V
Power consumption	19W / 18W	20W	5W	5W	5W

Airflow data:

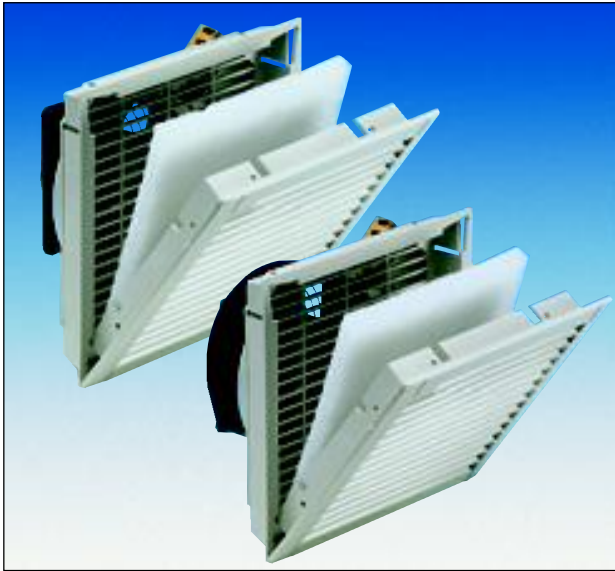


Mechanical data:



Supplementary data:	AC	DC
Climatic data		
Operating temperature	-10 °C to +55 °C	-20 °C to +55 °C
Storage temperature	-20 °C to +70 °C	
Max. relative humidity	90%	
Protection rating	IP 54 (EN 60529), when installed as specified, not for outdoor-application!	
Basic parts kit	standard filter, mounting- and user manual	
Accessories	radiant heater, fan heater, thermostat, see accessories	
* Tolerance installation cutout	125 \pm 1 thickness of material to 2 mm 126 \pm 1 thickness of material > 2 mm < 3 mm	

Filterfan® PF2.500, PF3.000



PF 2.500

For medium range applications in plant and machine equipment.

PF 3.000

The same size PF2.500 but with a more powerful fan.

- With integrated foamed seal to enclosure (PF 2.500, PF 3.000)



System of protection



System of protection (see page 64)



AC



DC



Click & fit



Output compatibility



Germanischer Lloyd certified (PF 3000)



UL-Approval granted/applied for



Colour

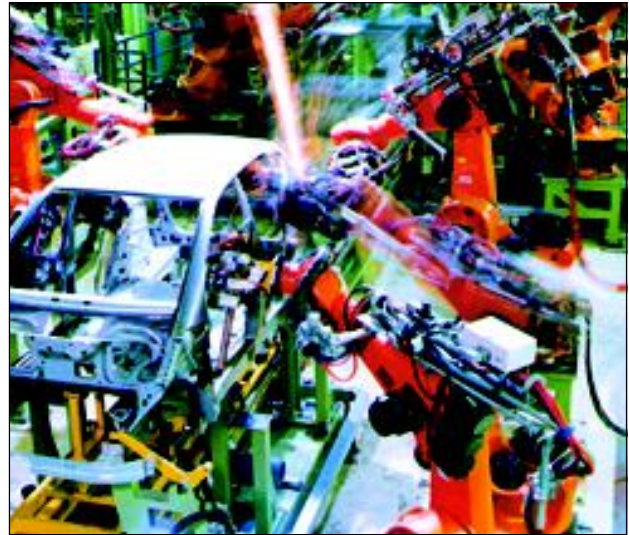
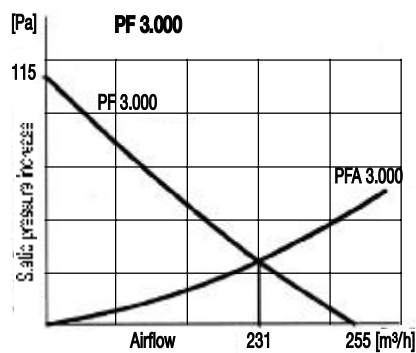
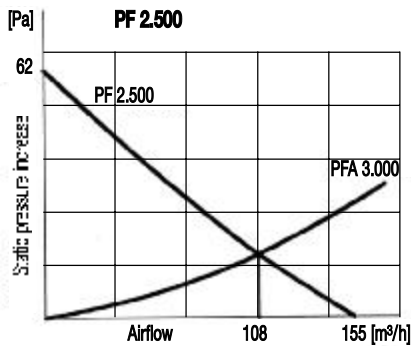
Airflow data:	PF 2.500	PF 3.000
Filter material*	150 g/m ²	150 g/m ²
Unimpeded airflow	155 m ³ /h; 50 Hz / 170 m ³ /h; 60 Hz	255 m ³ /h; 50 Hz / 292 m ³ /h; 60 Hz
Capacity** free-flow	52 W/K / 57 W/K	85 W/K / 97 W/K
Airflow in combination (Filterfan® + Exhaust Filter)	108 m ³ /h; 50 Hz / 118 m ³ /h; 60 Hz (PF 2.500 + PFA 3.000)	231 m ³ /h; 50 Hz / 265 m ³ /h; 60 Hz (PF 3.000 + PFA 3.000)
Capacity** in combination (Filterfan® + Exhaust Filter)	36 W/K / 39 W/K (PF 2.500 + PFA 3.000)	77 W/K / 88 W/K (PF 3.000 + PFA 3.000)
Max. static pressure (Airflow = 0 m ³ /h)	62 Pa	115 Pa
Filtration efficiency	73%	
Filter material grade (DIN 24 185)	EU 2	
Noise level (DIN 45 635)	53 dB (A)	55 dB (A)
Duty cycle	100%	

* Standard filter mat 150 g/m² (alternating filter mat in 350 g/m², 500 g/m²) ** based on 10K difference in temperature

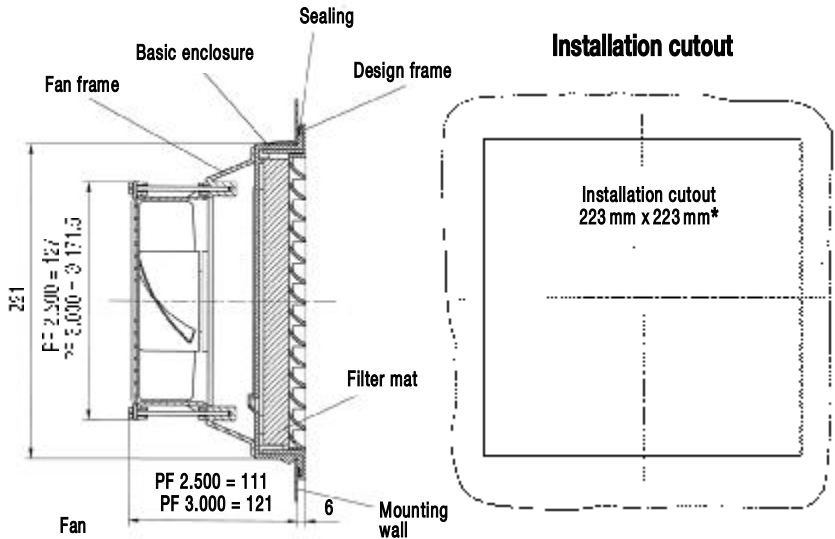
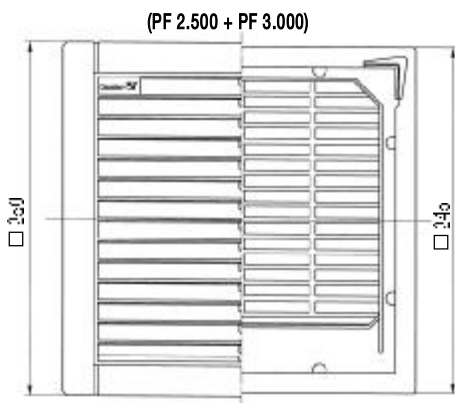
Technical data:	PF 2.500 AC/DC	AC	PF 3.000	DC
Outside dimensions in mm (Height x Width x Installation depth)	250 x 250 x 111	250 x 250 x 121		
Bearing type	ball bearings			
Fitting position	any, horizontal airflow preferred			
Construction	housing and guard of sprayed thermoplastic (ABS-FR) self-extinguishing, UL 94 V0			
Weight	1.75 kg	1.75 kg	1,50 kg	
Safety protection	in accordance with DIN 31 001			
Colour	RAL 7032 (European grey) or black; other colours on request			
Connections	terminal strip			

Electrical data:	AC 50 Hz/60 Hz		PF 2.500			
			DC			
Rated voltage	230V	115V	12V	24V	48V	
Range of operation	187V...253V	97V...127V	8V...14V	18V...30V	36V...56V	
Power consumption	18W / 17W	18W / 17W	5W	4.7W	4.6W	
	AC 50 Hz/60 Hz		PF 3.000			
			DC			
Rated voltage	400V / 440V	230V	115V	12V	24V	48V
Range of operation	369V...484V	187V...253V	97V...127V	8V...15V	18V...30V	36V...56V
Power consumption	41W / 38W	45W / 39W	40W	12W	18W	17W

Airflow data:



Mechanical data:



Supplementary data:	AC	DC
Climatic data		
Operating temperature	-10 °C to +55 °C	-20 °C to +55 °C
Storage temperature	-20 °C to +70 °C	
Max. relative humidity	90%	
Protection rating	IP 54 (EN 60 529), when installed as specified, not for outdoor-application!	
Basic parts kit	standard filter, mounting- and user manual	
Accessories	radiant heater, fan heater, thermostat, see accessories	
Approvals	PF3.000 German Lloyd (GL)	
* Tolerance installation cutout	223 ⁺¹ / ₋₀ thickness of material ≤ 2 mm 224 ⁺¹ / ₋₀ thickness of material > 2 mm ∴ 3 mm	