

Profile P Floating position encoders

Position encoder	Position encoder	Position encoder	Magnetic tape position encoder
Profile P BTL Floating	Profile P BTL Floating	Profile P BTL Floating	Profile P BTL Floating
BAM014M	BAM014T	BAM014P	BAM013E
BTL5-P-3800-2	BTL5-P-5500-2	BTL5-P-4500-1	BTL-A-TM01-M1000
Plastic approx. 12 g any	Plastic approx. 40 g any	Plastic approx. 90 g any 24 V DC 100 mA	Plastic approx. 50 g any
-40...+85 °C Position encoder 2 fastening screws DIN 84 M4x35-A2 with washers and nuts	-40...+85 °C Position encoder	-40...+60 °C Position encoder	-40...+85 °C Magnetic tape
		Connector, straight* BCC M415-0000-1A-014-PS0434-... Connector, angle* BCC M425-0000-1A-014-PS0434-...	Cover strip (optional) BML-A013-T0200



Micropulse Transducers
Profile P BTL7
General Data
Analog Interface
Programming
EtherCAT

Profile P BTL5
General Data
Analog Interface
Digital Pulse Interface
SSI Interface
CANopen Interface
DeviceNet Interface
Profibus DP Interface

Floating Position Encoders
Captive Position Encoders

Profile PF
Profile AT
Profile BIW

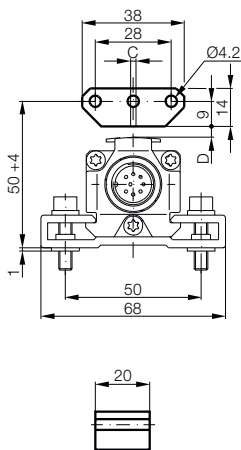
Rod
Rod Compact and Rod AR

Rod EX, T Redundant and CD

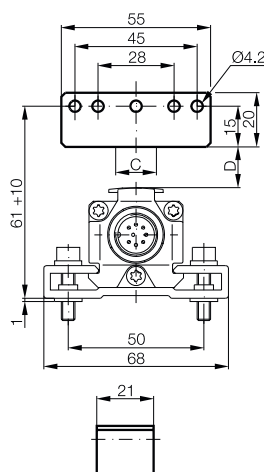
Filling Level Sensor SF

Accessories

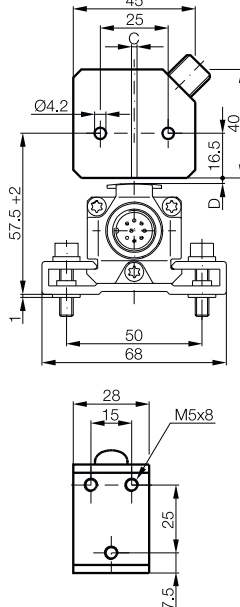
Basic Information and Definitions



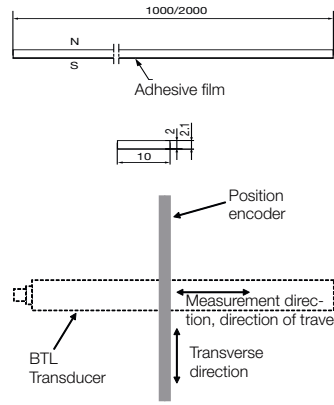
Lateral offset:
C = ±2 mm
Distance of position encoder:
D = 0.1...4 mm



Lateral offset:
C = ±15 mm
Distance of position encoder:
D = 5...15 mm



Lateral offset:
C = ±2 mm
Distance of position encoder:
D = 0.1...2 mm



Offset in transverse direction:
C = Magnetic tape length
Distance of magnetic tape:
D = 0...4 mm

* Please include the cable length code in the part number.
020 = 2 m, 050 = 5 m, 100 = 10 m

