
ebm-papst Mulfingen GmbH & Co. KG

Bachmühle 2
 74673 Mulfingen
 Phone: +49 7938 81-0
 Fax: +49 7938 81-110
 www.ebmpapst.com
 info1@de.ebmpapst.com

Nominal data

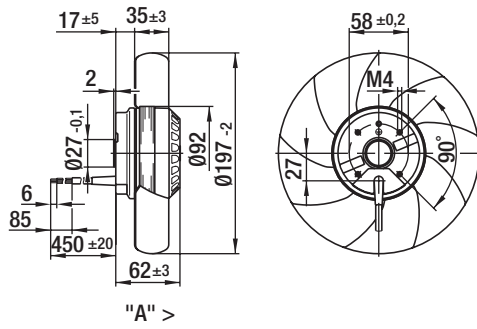
| | | | |
|-------------------------------|-----------------------|------|------|
| Type | A2E200-AI38-01 | | |
| Motor | M2E068-BF | | |
| Phase | | 1~ | 1~ |
| Nominal voltage | [V] | 230 | 230 |
| Frequency | [Hz] | 50 | 60 |
| Type of data definition | | rfa | rfa |
| Valid for approval / standard | | CE | CE |
| Speed | [min ⁻¹] | 2600 | 2900 |
| Power input | [W] | 64 | 78 |
| Current draw | [A] | 0.3 | 0.34 |
| Motor capacitor | [μF] | 1.5 | 1.5 |
| Capacitor voltage | [VDB] | 450 | 450 |
| Max. back pressure | [Pa] | 150 | 150 |
| Max. ambient temperature | [°C] | 65 | 65 |
| Air flow | [m ³ /h] | 890 | 990 |
| Back pressure | [Pa] | 0 | 0 |
| Sound pressure level | [dB(A)] | 65 | 68 |

ml = max. load · me = max. efficiency · rfa = running at free air · cs = customer specs · cu = customer unit
 Subject to alterations

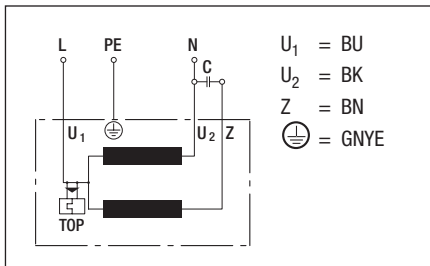
Technical features

| | |
|--|---|
| Size | 200 mm |
| Operation mode | Continuous operation (S1) |
| Direction of air flow | "A" |
| Insulation class | "B" |
| Cable exit | Variable |
| Bearing-motor | Ball bearing |
| Mass | 1.4 kg |
| Material of electronics housing | Rotor: Coated in black |
| Material of impeller | Sheet steel, coated in black |
| Motor protection | Thermal overload protector (TOP) wired internally |
| Product conforming to standard | CE |
| Number of blades | 9 |
| Type of protection | IP 44 |
| Protection class | I |
| Approval | CCC |

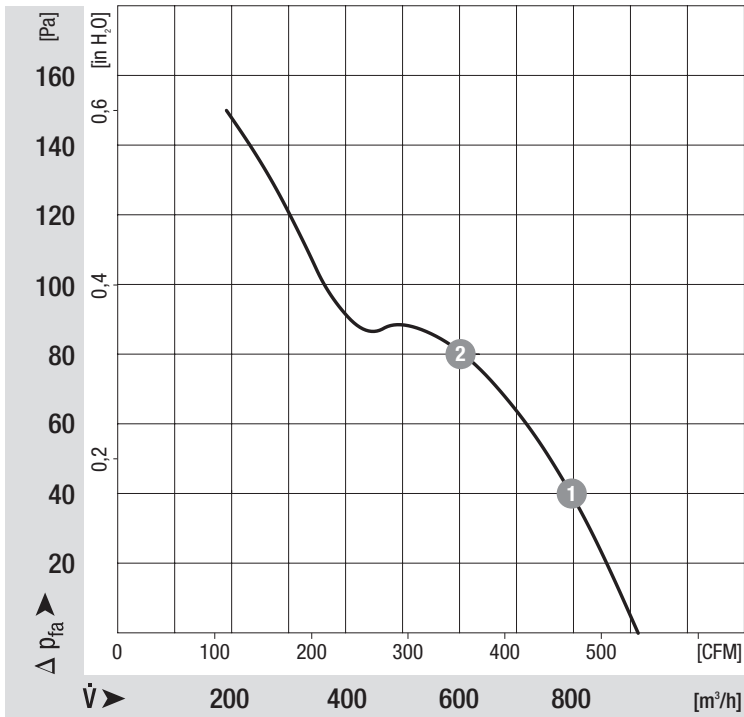
Product drawing



Connection screen



Charts: Air flow 50 Hz



| | n | P ₁ | I |
|---|----------------------|----------------|------|
| | [min ⁻¹] | [W] | [A] |
| 1 | 2555 | 67 | 0.31 |
| 2 | 2465 | 70 | 0.32 |

Charts: Air flow 60 Hz

