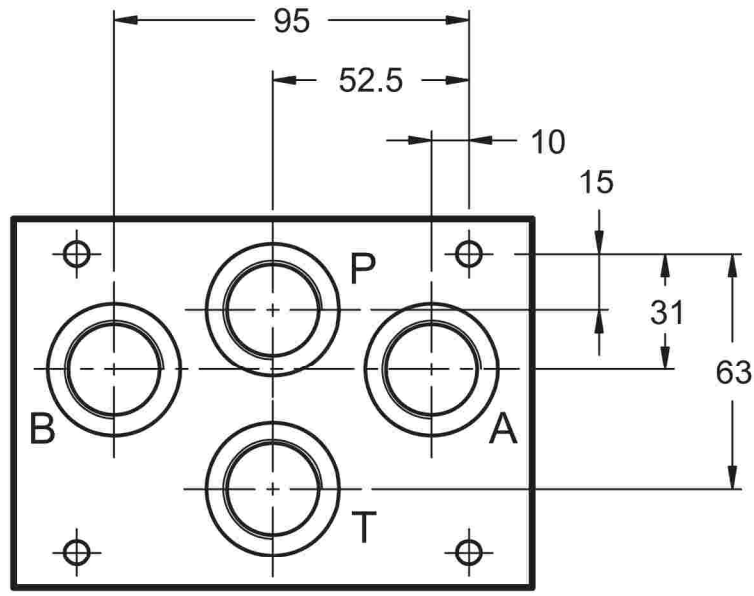
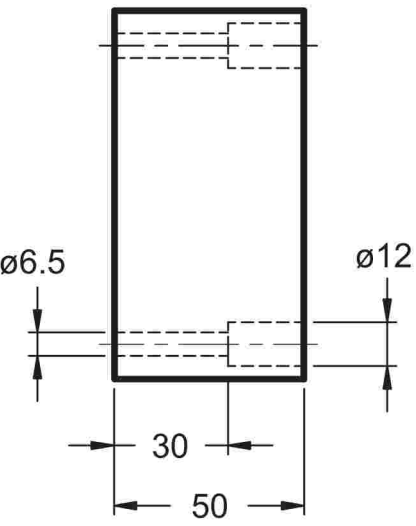
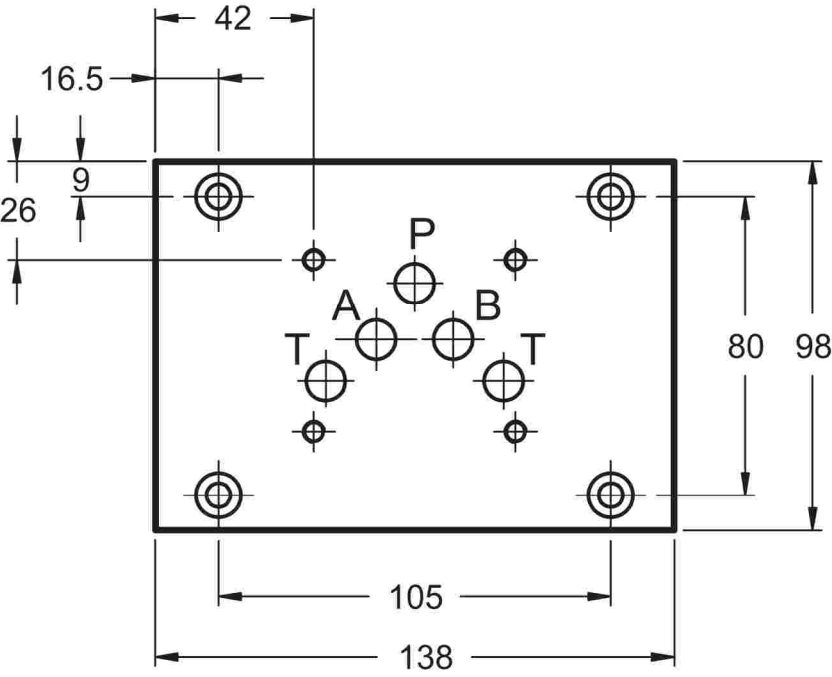


16 - OVERALL AND MOUNTING DIMENSIONS PMD4-AI4G/20 (cod. 1961271)

ISO 4401-05-04-0-05
(CETOP 4.2-4-05-350)

dimensions in mm



Ports on rear.
Threading of ports: P-T-A-B 3/4" BSP

p max 350 bar Mass: kg 4,2