

Air Preparation Units Models SH & SC

(Up to and including 145 psi / 10 bar operating pressure)



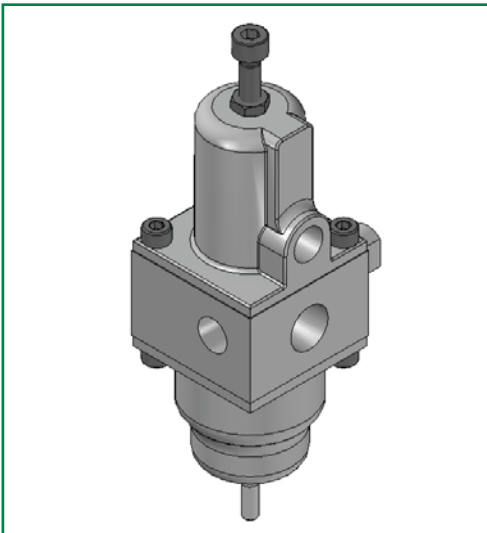
Superior Performance Throughout the Full Operational Range

- Compact Design
- High stability
- Up to 145 psi / 10 bar Working Pressure
- Arctic Service Options to -60°C
- Valve Body 316L Stainless Steel
- NACE MR-01-75 Internal Wetted and Body Materials (Option)
- High Flow - up to 11.2 Cv



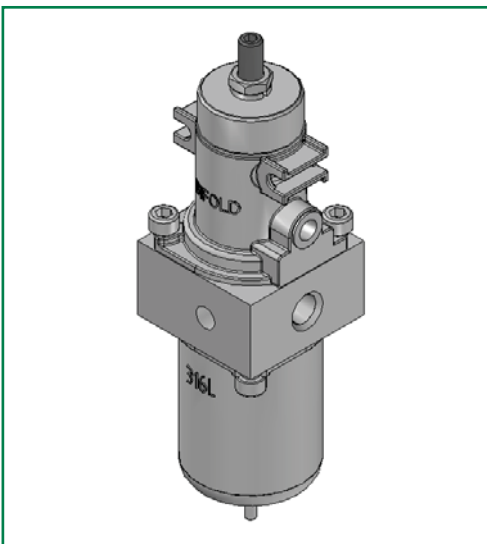
- SC & SH - Compact / Air Preparation Unit Range - Features & Benefits.....3
- SC & SH - Compact / Air Preparation Unit Range - Features & Benefits.....4
- SC & SH - Compact / Air Preparation Unit Range - Preferred Range.....5
- SH - Air Preparation Unit Range - Preferred Range.....6
- SH - Air Preparation Unit Range - Preferred Range.....7
- SC - Compact Air Preparation Unit Range Product Options - SC Overview.....8
- SH - Air Preparation Unit Range Product Options - SH Overview.....9
- SC - Compact Air Preparation Unit Range Selection Chart - SC.....10
- SH - Air Preparation Unit Range Selection Chart - SH.....11
- SC & SH - Compact / Air Preparation Unit Dimensional Drawings.....12
- SH - Air Preparation Unit Dimensional Drawings.....13
- SH - Air Preparation Unit Dimensional Drawings.....14
- SH - Air Preparation Unit Dimensional Drawings.....15
- SH - Air Preparation Unit Dimensional Drawings.....16
- Additional Options - Gauge Options.....17
- Additional Options - Mounting Options.....18
- Additional Options - Mounting Options.....19
- Additional Options - Mounting Options.....20
- Notes.....21

Features & Benefits



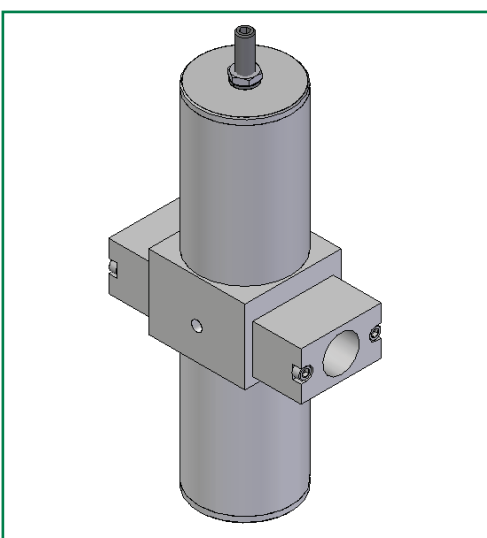
**Standard Valve
Equipment Design & Build**

- Manufactured from 316L grade stainless steel as standard. The valves are suited for offshore and other corrosive atmospheres. Materials can be supplied compliant to NACE MR-01-75 rendering the valves suitable for sour gas media. Low temperature elastomer seals are available for low temperature arctic service applications.
- High stability precision adjustment.
- Modular design for inline maintenance.



Compact Air Preparation Unit

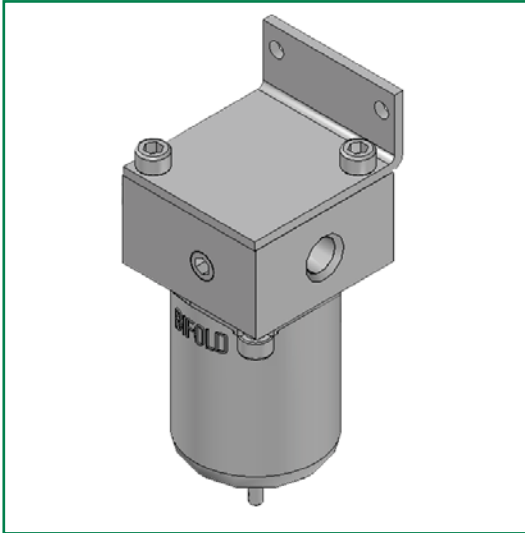
- Our compact SC unit is designed for applications that require high capacity and accurate process control in a small package. A poppet valve which is balanced by utilizing a convoluted diaphragm, insures a constant output pressure even during wide supply pressure variations. Stability of regulated pressure is maintained under varying flow conditions adjusting the air supply in accordance with the flow velocity.



**Air Preparation Unit
High Flow**

- Our compact SH unit designed for applications that require high flow capacity and accurate process control. A poppet valve which is balanced by utilizing a rolling diaphragm, insures a constant output pressure even during wide supply pressure variations.
- Diaphragm design for good repeatability, response and sensitivity.
- Balanced poppet.
- Accurately maintained output pressure under high flow conditions.
- Precise regulation will sense a decrease in downstream pressure.
- High flow capacity attainable with minimal drop out.

Features & Benefits



**Standard Valve
Equipment Design & Build**

Regulator Precision

- Pressure balanced supply valve prevents supply pressure changes from affecting the set point.
- Separate control chamber isolates the diaphragm from the main flow to eliminate hunting and buzzing.

Filter Regulator Precision

- Non-bleed design to reduce consumption.
- A Gauge Port provides convenient pressure gauge mounting.
- The Filter Dripwell contains a Drain Plug to easily drain trapped liquids.
- Standard Tapped Exhaust.

Safety and Environmental Benefits

- Bifold has state of the art product qualification and production equipment including flow (Cv), environment (-60°C to +180°C), function and leakage testing, and data Logging.
- Tolerant to moist air in control lines.
- Products are manufactured, inspected, assembled and tested in our state of the art production facilities.

State of the Art Testing

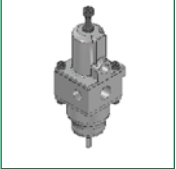
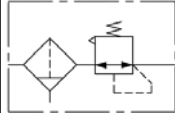
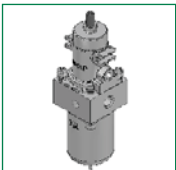
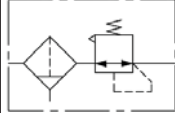
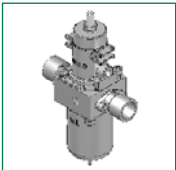
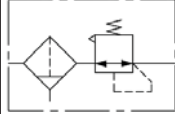
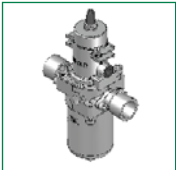
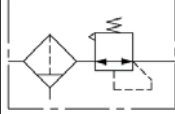
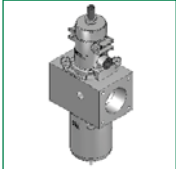
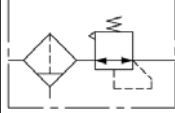

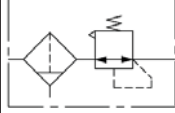


Accuracy of information
We take care to ensure that product information in this catalogue is reasonably accurate and up-to-date. However, our products are continually developed and updated so to ensure accurate and up-to-date information please refer to the product catalogue issue list on our web site or contact a member of our sales team.

When selecting a product, the applicable operating system design must be considered to ensure safe use. The products function, material compatibility, adequate ratings, correct installation, operation and maintenance are the responsibilities of the system designer and user.

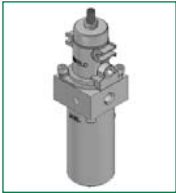
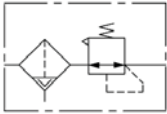
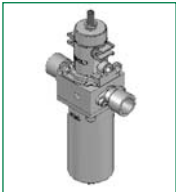
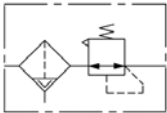

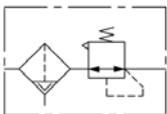
Quality Assurance
All Bifold products are manufactured to a most stringent QA programme to ensure that every product will give optimum performance and reliability. We are third party certified to BS EN ISO 9001:2008. Functional test certificates, letter of conformity and copies of original mill certificates, providing total traceability are available on request, to BS EN ISO 9004 3.1 where available. We reserve the right to make changes to the specifications and design etc., without prior notice.

Preferred Range

SC & SH - COMPACT / AIR PREPARATION UNIT - PREFERRED RANGE				
Product	Schematic Representation	Page Number	Product Code	Product Description
 <p>SC Compact Air Preparation Unit Manual Drain</p>		10	SC06-20-FR-SR-MD-10-V-X3	<p>1/4" NPT Ports, Filter Regulator, Self Relieving, Manual Drain Unit.</p> <p>C.v. 0.7, 145 psi / 10 bar, 40 - 50 Micron Filter Element.</p>
 <p>SH Air Preparation Unit Manual Drain</p>		11	SH06-FR-SR-MD-10-X3	<p>1/4" NPT Ports, Self Relieving, Manual Drain Unit.</p> <p>C.v. 1.7, 145 psi / 10 bar, 20 - 30 Micron Filter Element.</p>
 <p>SH Air Preparation Unit Manual Drain</p>		11	SH12-FR-SR-MD-10-X3	<p>1/2" NPT Ports, Self Relieving, Manual Drain Unit.</p> <p>C.v. 2.6, 145 psi / 10 bar, 20 - 30 Micron Filter Element.</p>
 <p>SH Air Preparation Unit Manual Drain</p>		11	SH12-FR-SR-MD-10-X3-02	<p>1/2" NPT Ports, Self Relieving, Manual Drain, High Flow Unit.</p> <p>C.v. 4.5, 145 psi / 10 bar, 20 - 30 Micron Filter Element.</p>
 <p>SH Air Preparation Unit Manual Drain</p>		11	SH25L-FR-SR-MD-10-X3-02	<p>1" NPT Ports, Self Relieving, Manual Drain.</p> <p>C.v. 4.5, 145 psi / 10 bar, 20 - 30 Micron Filter Element.</p>
 <p>SH Air Preparation Unit Manual Drain</p>		11	SH25-FR-SR-MD-10-X4	<p>1" NPT Ports, Self Relieving, Manual Drain, High Flow Unit.</p> <p>C.v. 11.2, 145 psi / 10 bar, 40 - 50 Micron Filter Element.</p>

Preferred Range

SH - AIR PREPARATION UNIT - PREFERRED RANGE


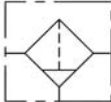

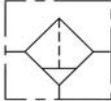
Product	Schematic Representation	Page Number	Product Code	Product Description
 <p>SH Air Preparation Unit Auto Drain</p>		II	SH06-FR-SR-AD-10-X3	<p>1/4" NPT Ports, Self Relieving, Auto Drain Unit.</p> <p>C.v. 1.7, 145 psi / 10 bar, 20 - 30 Micron Filter Element.</p>
 <p>SH Air Preparation Unit Auto Drain</p>		II	SH12-FR-SR-AD-10-X3	<p>1/2" NPT Ports, Self Relieving, Auto Drain Unit.</p> <p>C.v. 2.6, 145 psi / 10 bar, 20 - 30 Micron Filter Element.</p>
 <p>SH Air Preparation Unit Auto Drain</p>		II	SH12-FR-SR-AD-10-X3-02	<p>1/2" NPT Ports, Self Relieving, Auto Drain, High Flow Unit.</p> <p>C.v. 4.5, 145 psi / 10 bar, 20 - 30 Micron Filter Element.</p>

Accuracy of information
We take care to ensure that product information in this catalogue is reasonably accurate and up-to-date. However, our products are continually developed and updated so to ensure accurate and up-to-date information please refer to the product catalogue issue list on our web site or contact a member of our sales team.

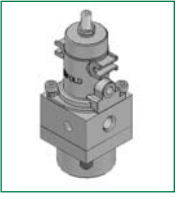
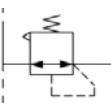
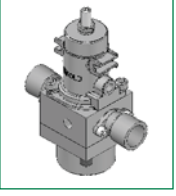
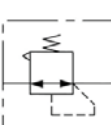
When selecting a product, the applicable operating system design must be considered to ensure safe use. The products function, material compatibility, adequate ratings, correct installation, operation and maintenance are the responsibilities of the system designer and user.

Quality Assurance
All Bifold products are manufactured to a most stringent QA programme to ensure that every product will give optimum performance and reliability. We are third party certified to BS EN ISO 9001:2008. Functional test certificate, letter of conformity and copies of original mill certificates, providing total traceability are available on request, to BS EN 10204 3.1 where available. We reserve the right to make changes to the specifications and design etc., without prior notice.

Preferred Range

SH - AIR PREPARATION UNIT - PREFERRED RANGE				
Product	Schematic Representation	Page Number	Product Code	Product Description
 <p>SH Air Preparation Unit Filter Manual Drain</p>		II	SH06-FI-MD-X3	<p>1/4" NPT Ports, Filter, Manual Drain Unit.</p> <p>C.v. 1.7, 145 psi / 10 bar, 20 - 30 Micron Filter Element.</p>
 <p>SH Air Preparation Unit Filter Manual Drain</p>		II	SH12-FI-MD-X3	<p>1/2" NPT Ports, Self Relieving, Manual Drain Unit.</p> <p>C.v. 2.6, 145 psi / 10 bar, 20 - 30 Micron Filter Element.</p>

Preferred Range

SH - AIR PREPARATION UNIT - PREFERRED RANGE				
Product	Schematic Representation	Page Number	Product Code	Product Description
 <p>SH Air Preparation Unit Regulator Self Relieving</p>		II	SH06-RI-SR-10	<p>1/4" NPT Ports, Regulator, Self Relieving Unit.</p> <p>C.v. 1.7, 145 psi / 10 bar.</p>
 <p>SH Air Preparation Unit Regulator Self Relieving</p>		II	SH12-RI-SR-10	<p>1/2" NPT Ports, Regulator, Self Relieving Unit.</p> <p>C.v. 2.6, 145 psi / 10 bar.</p>

SC Overview

Materials of Construction

Body:	316L stainless steel as standard.
Bonnet & Bowl:	316L stainless steel as standard.
Element:	Sintered 316L stainless steel.
Springs:	302S26 stainless steel to BS 2056 (or Inconel).
Regulating spring:	316L stainless steel.
Ports:	1/4" thread milled NPT (BSPP options available).
Seals:	Viton as standard. Alternative elastomers available for extreme conditions.
Diaphragm:	Silicone.
Fasteners:	18/10 stainless steel.
Adjustment Mechanism:	M8 socket set screw.

Flow Performance

145 psi / 10 bar inlet pressure, 87 psi / 6 bar secondary pressure with 14 psi / 1 bar pressure drop using X4 (40 - 50 micron element).

- 1/4" - C_v 0.7 - 25.9 SCFM.
- 3/8" - C_v 0.75 - 27.8 SCFM.
- 1/2" - C_v 0.75 - 27.8 SCFM.

Operating Media

- Air.
- Natural Gas
- Inert Gas.
- Sweet or Sour Gases.

Relief Port

- Threaded 1/8" NPT vent with removable plastic ingress protection.
- For gas service, plastic ingress protection can be removed to enable vented gas to be piped away.
- Typical bleed flow at 29 psi / 2 bar secondary pressure 1.5cm³/sec.
- Relief differential 2 psi / 0.15 bar at 29 psi / 2 bar secondary pressure (relieving type only).

Ports

Service ports: 1/4" NPT (BSPP options available).

Certification

Equipment Intended for use in Potentially Explosive Environments - Non-Electrical Equipment



Bifold SC units must be installed, operated and maintained in accordance with the relevant Bifold installation, operating and maintenance instructions, relevant installation rules, regulations and codes of practice.

For more information, please contact Bifold sales department.

Temperature Rating

V	Viton (Standard) (-20°C to +180°C).
AL	Fluorosilicone (-60°C to +100°C).

Bowl Retention Capacity

25cc (Manual Drain).

Maximum Inlet Pressure

290 - 580 psi / 20 - 40 bar (Manual Drain)

Filter Unit

5, 20 - 30 & 40 - 50 Micron.

Regulated Pressures

2.9 - 87 psi / 0.20 to 6 bar.
5.8 - 145 psi / 0.40 to 10 bar.

Water Ingress Rating

Ingress protection - Designed to meet heavy seas / on deck rating.

Seal Repair Kits

Please add the prefix SRK on the models required leaving off port sizes (only require model number up to element reference).
e.g. SRKSC-FR-SR-MD-10-X4.

SH Overview

Materials of Construction

Body:	316L stainless steel as standard.
Bonnet & Bowl:	316L stainless steel as standard.
Element:	Sintered 316L stainless steel.
Springs:	302S26 stainless steel to BS 2056 (or Inconel).
Regulating spring:	Inconel X750 AMS5699.
Ports:	1/4", 3/8", 1/2", 3/4" & 1" thread milled NPT (BSPP other options available)
Seals:	Viton as standard. Alternative elastomers available for extreme conditions.
Diaphragm:	Silicone.
Fasteners:	18/10 stainless steel.
Adjustment Mechanism:	M8 socket set screw.
Mounting mechanism:	Panel, pillar or bracket.

Flow Performance

145 psi / 10 bar inlet pressure, 87 psi / 6 bar secondary pressure with 14 psi / 1 bar pressure drop using X4 (40 - 50 micron element).

1/4" - Cv 1.0 - 36 SCFM.

1/2" - Cv 2.6 - 94 SCFM.

1/2" - Cv 4.5 - 168 SCFM (High Flow).

1" - Cv 4.5 - 429 SCFM (Low Flow).

1" - Cv 11.2 - 429 SCFM.

Operating Media

- Air.
- Natural Gas.
- Inert Gas.
- Sweet or Sour Gases.

Relief Port

- Threaded 1/8" NPT vent with removable plastic ingress protection.
- For gas service, plastic ingress protection can be removed to enable vented gas to be piped away.
- Typical bleed flow at 29 psi / 2 bar secondary pressure 1.5cm³/sec.
- Relief differential 2 psi / 0.15 bar at 29 psi / 2 bar secondary pressure (relieving type only).

Ports

Service ports: 1/4", 3/8", 1/2", 3/4" & 1" NPT (BSPP options available).

Gauge ports: 1/8" NPT standard (1/4" NPT & BSPP options available).

Gauges

Dry: 50mm with psi, bar or dual psi / bar dial.

Glycerine Filled: 50mm with psi, bar or dual psi / bar dial polycarbonate window and blow-out device.

Other options available please see page 17.

Certification

Equipment Intended for use in Potentially Explosive Environments - Non-Electrical Equipment



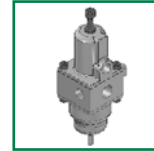
Bifold SH units must be installed, operated and maintained in accordance with the relevant Bifold installation, operating and maintenance instructions, relevant installation rules, regulations and codes of practice.

For more information, please contact Bifold sales department.

SC - Compact Air Preparation Unit Range Selection Chart

SC

For a dimensional drawing of the SC unit, please see page 12.



Bifold®

SC Selection Chart - Ordering Example

SC	Standard Service	Model Code	
06	1/4" NPT (Stainless Steel)	Ports	
09	3/8" NPT (Stainless Steel)		
12	1/2" NPT (Stainless Steel)		
20	290 psi / 20 bar	Inlet Pressure	
FR	Filter Regulator	Model Type	
RI	Regulator		
SR	Self Relieving	Self / Non Relieving	
NR	Non Relieving		
MD	Manual Drain (Not Applicable to Regulators)	Drain Option	
		Output Regulated Pressures	
	Nominal		Actual
06	87 psi / 6 bar		2.9 - 87 psi / 0.20 to 6 bar
10	145 psi / 10 bar	5.8 - 145 psi / 0.40 to 10 bar	
V	Viton (Standard) (-20°C to +180°C)	O-Ring Material	
AL	Fluorosilicone (-60°C to +100°C)		
X1	5 Micron Element	Filter Element	
X3	20 - 30 Micron Element		
X4	40 - 50 Micron Element		
NO LETTER	NPT Ports	Option	
K6	BSP Ports		
NO LETTER	Allen Key Adjustment	Option	
K10	Black Plastic Button Adjustment		
NO LETTER	Regular Drain Screw	Option	
L116	Knurled Drain Screw		

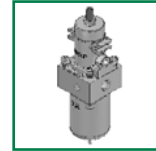
SC 06 - 20 - FR - SR - MD - 10 - V - X4 - K6 - K10 - L116

Ordering Example

Bespoke configured datasheets are available for specific model numbers, please contact Bifold for more information.

SH

For the dimensional drawings of the SH units, please see pages 12 - 16.



SH Selection Chart - Ordering Example

SH	Standard service (-20°C to +180°C)	Model Code	
S40H	580 psi / 40 bar inlet (Only available with 1/4" NPT)		
ASH	Arctic service (-60°C to +100°C)		
06	1/4" NPT (Stainless Steel)	Ports	
09	3/8" NPT (Stainless Steel)		
12	1/2" NPT (Stainless Steel)		
19L	3/4" NPT Low Flow (Stainless Steel)		
25L	1" NPT Low Flow (Stainless Steel)		
19	3/4" NPT (Only available with 145 psi / 10 bar regulated pressure & X1 & X4 micron elements)		
25	1" NPT (Only available with 145 psi / 10 bar regulated pressure & X1 & X4 micron elements)		
RI	Regulator	Model Type	
FI	Filter		
FR	Filter Regulator		
SR	Self Relieving	Self / Non Relieving	
NR	Non Relieving (Not Applicable to Filters)		
MD	Manual Drain	Drain Option	
AD	AutoDrain (Not Applicable to Regulators)		
			Output Regulated Pressures
		Nominal	
02	29 psi / 2 bar	0.4 - 29 psi / 0.03 to 2 bar	
04	58 psi / 4 bar	0.4 - 58 psi / 0.03 to 4 bar	
06	87 psi / 6 bar (Not Applicable to Filters)	2.9 - 87 psi / 0.20 to 6 bar	
08	116 psi / 8 bar	3.6 - 116 psi / 0.25 to 8 bar	
10	145 psi / 10 bar	5.8 - 145 psi / 0.40 to 10 bar	
X1	5 Micron Element	(Not Applicable to Regulators)	Filter Element
X3	20 - 30 Micron Element		
X4	40 - 50 Micron Element		
NO LETTER	NPT Ports	Option	
K6	BSP Ports		
NO LETTER	1/8" Gauge Port	Gauge Options	
K39	1/4" Gauge Ports		
K84	Plugged for 1/8" Gauge Port		
K94	Plugged for 1/4" Gauge Port		
NO LETTER	Allen Key Adjustment	Option	
K10	Black Plastic Button Adjustment		
NO LETTER	Regular Drain Screw	Option	
L116	Knurled Drain Screw		
NO LETTER	(Standard)	High Flow	
02	High Flow		

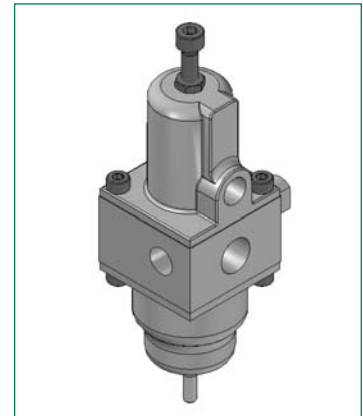
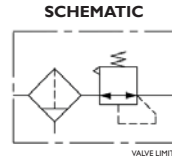
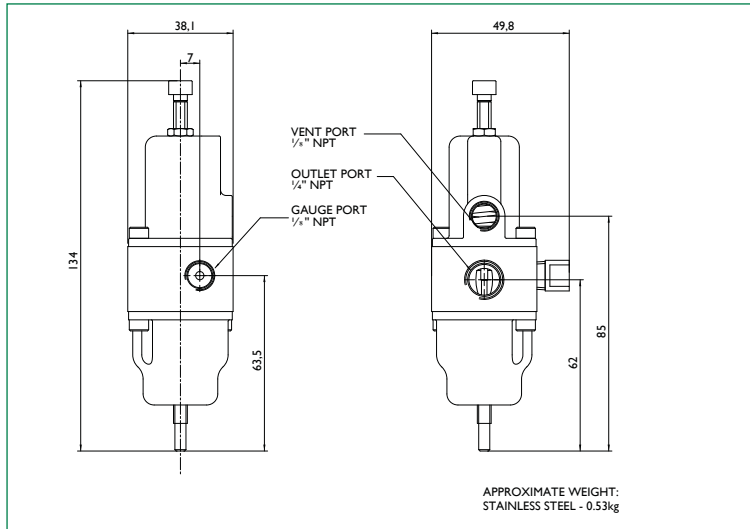
SH 06 - FR - SR - MD - 10 - X3 - K6 - K39-K10-L116-02 Ordering Example

Bespoke configured datasheets are available for specific model numbers, please contact Bifold for more information.

Dimensional Drawings

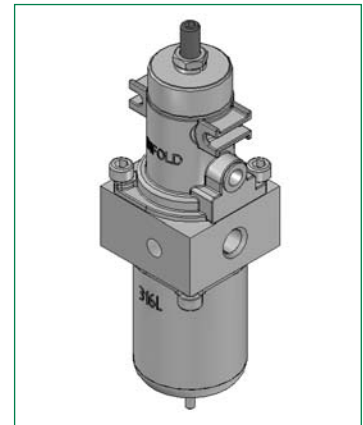
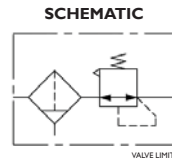
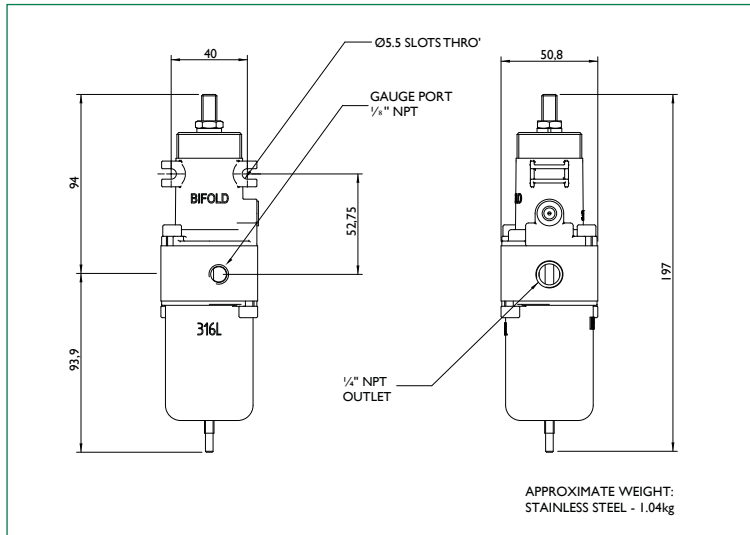


Example Code - SC06-20-FR-SR-MD-10-X4



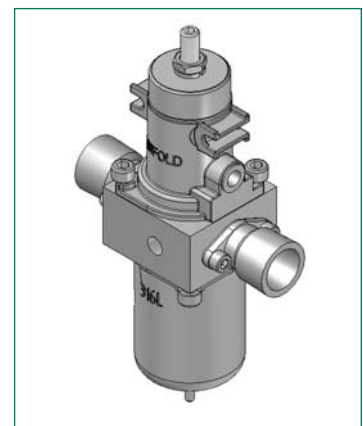
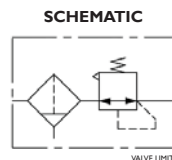
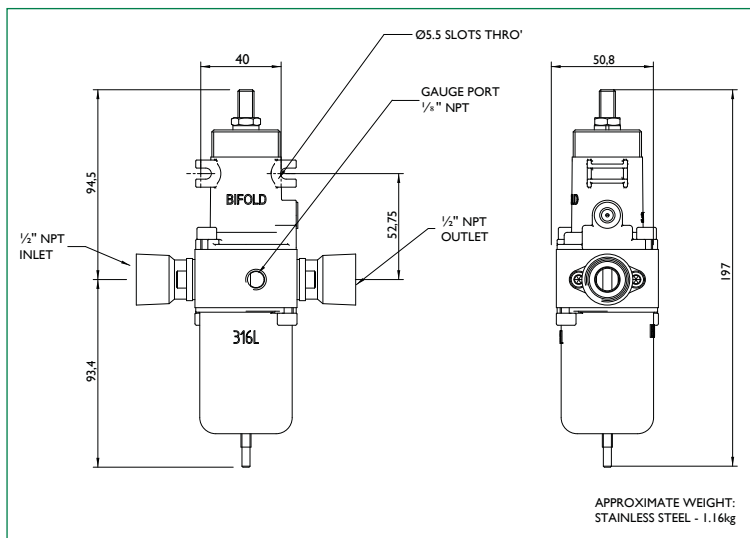
SC
Compact Air Preparation Unit
Manual Drain

Example Code - SH06-FR-SR-MD-10-X3



SH
Air Preparation Unit
Manual Drain

Example Code - SH12-FR-SR-MD-10-X3



SH
Air Preparation Unit
Manual Drain

All dimensions in mm

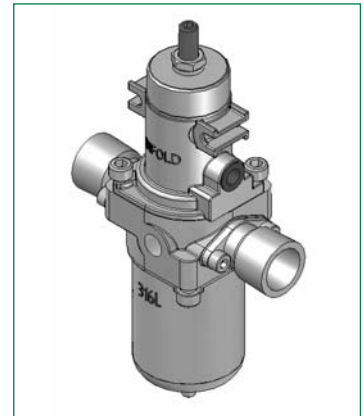
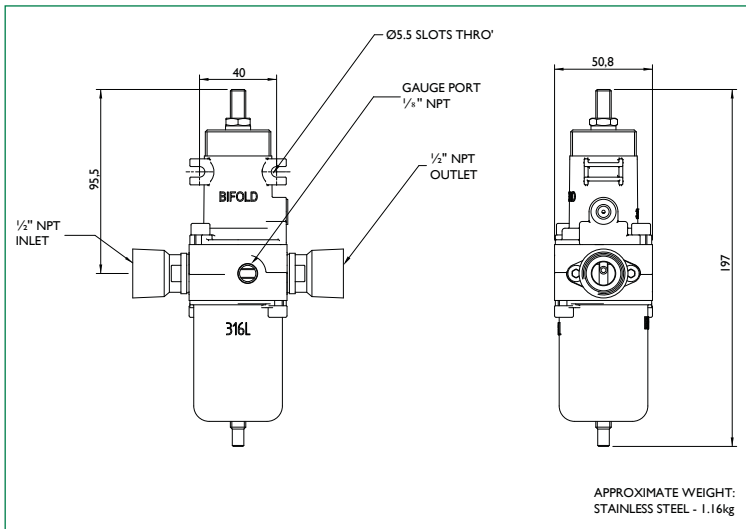
Accuracy of information
We take care to ensure that product information in this catalogue is reasonably accurate and up-to-date. However, our products are continually developed and updated so to ensure accurate and up-to-date information please refer to the product catalogue issue list on our web site or contact a member of our sales team.

When selecting a product, the applicable operating system design must be considered to ensure safe use. The products function, material compatibility, adequate ratings, correct installation, operation and maintenance are the responsibilities of the system designer and user.

Quality Assurance
All Bifold products are manufactured to a most stringent QA programme to ensure that every product will give optimum performance and reliability. We are third party certified to BS EN ISO 9001:2008. Functional test certificate, letter of conformity and copies of original mill certificates, providing total traceability are available on request, to BS EN 10204 3.1 where available. We reserve the right to make changes to the specifications and design etc., without prior notice.

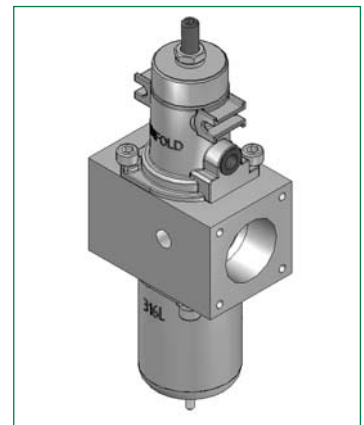
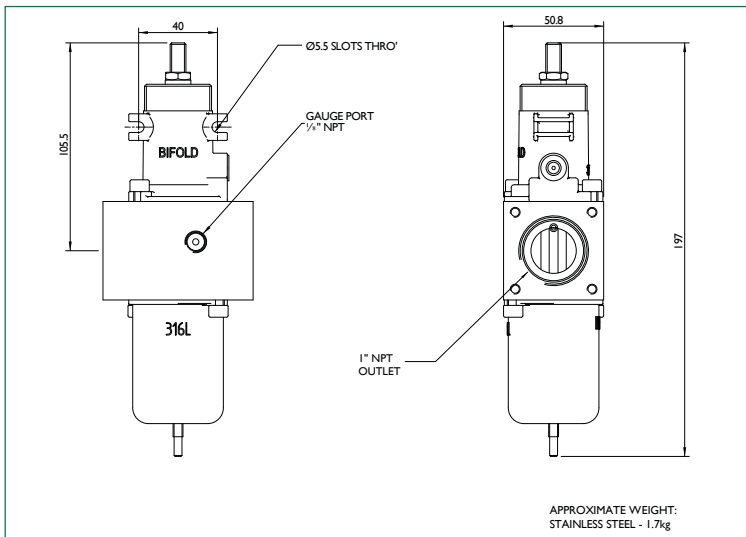
Dimensional Drawings

Example Code - SH12-FR-SR-MD-10-X3-02



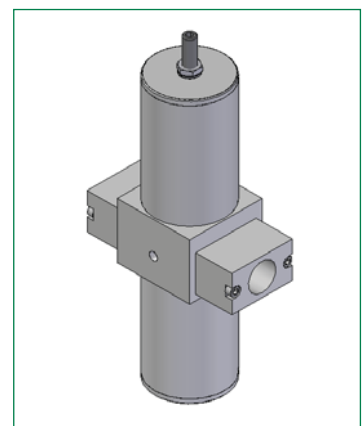
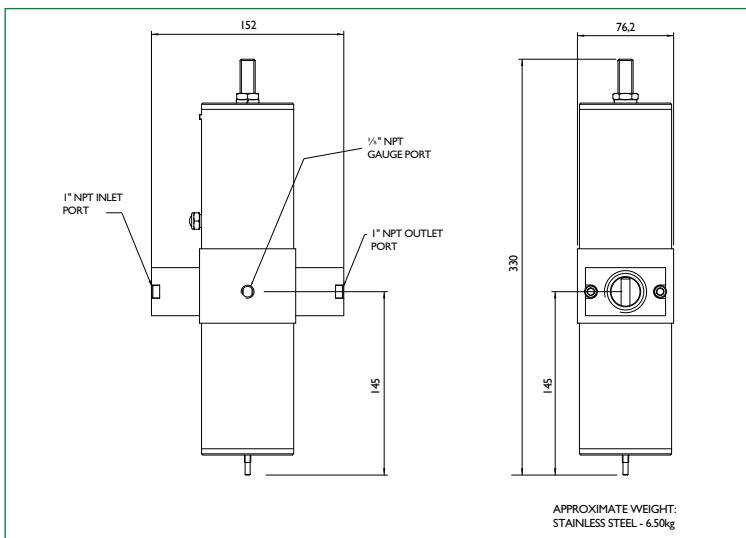
SH
Air Preparation Unit
Manual Drain

Example Code - SH25L-FR-SR-MD-10-X3-02



SH
Air Preparation Unit
Manual Drain

Example Code - SH25-FR-SR-MD-10-X4-02



SH
Air Preparation Unit
Manual Drain

All dimensions in mm

Accuracy of information
We take care to ensure that product information in this catalogue is reasonably accurate and up-to-date. However, our products are continually developed and updated so to ensure accurate and up-to-date information please refer to the product catalogue issue list on our web site or contact a member of our sales team.

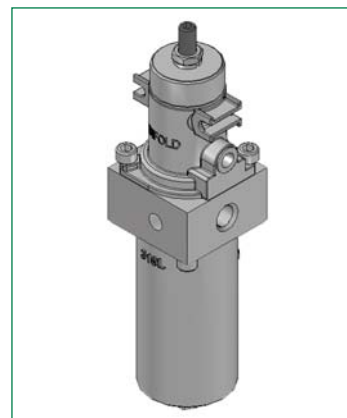
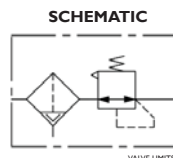
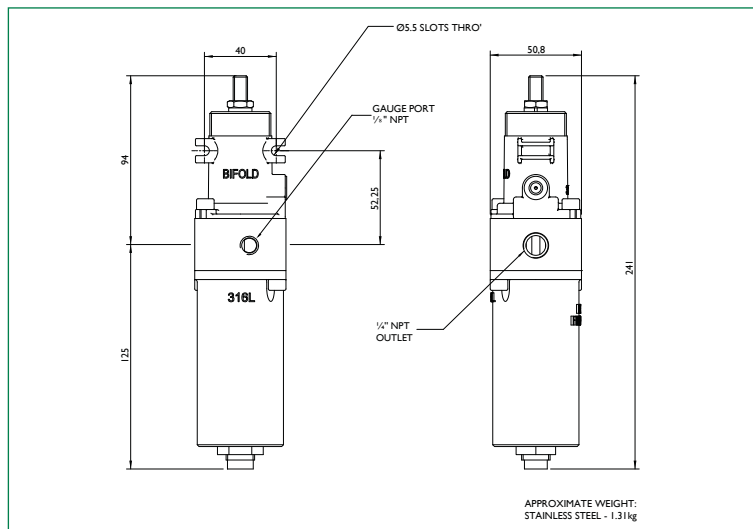
When selecting a product, the applicable operating system design must be considered to ensure safe use. The products function, material compatibility, adequate ratings, correct installation, operation and maintenance are the responsibilities of the system designer and user.

Quality Assurance
All Bifold products are manufactured to a most stringent QA programme to ensure that every product will give optimum performance and reliability. We are third party certified to BS EN ISO 9001:2008. Functional test certificate, letter of conformity and copies of original mill certificates, providing total traceability are available on request, to BS EN 10204 3.1 where available. We reserve the right to make changes to the specifications and design etc., without prior notice.

Dimensional Drawings

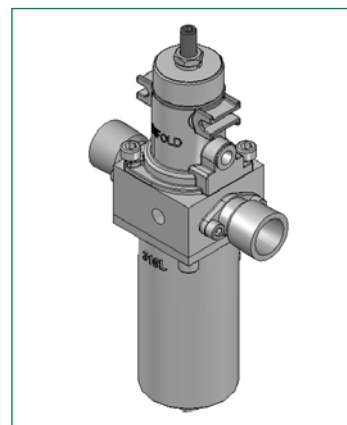
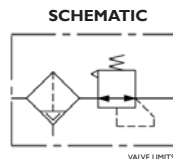
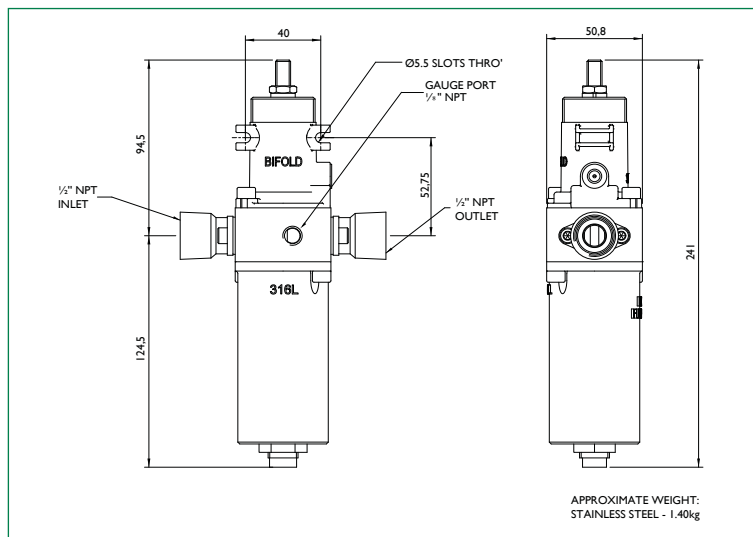


Example Code - SH06-FR-SR-AD-10-X3



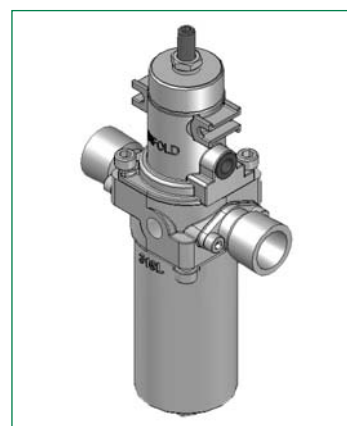
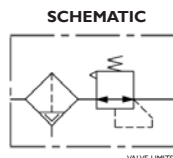
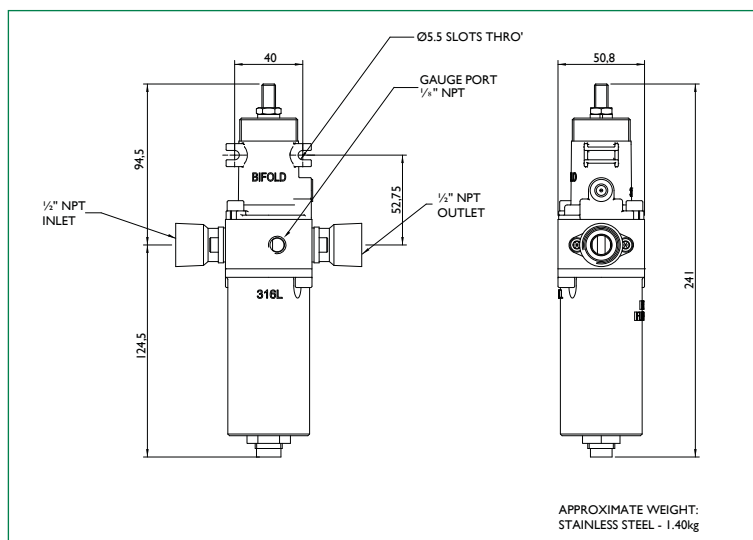
SH
Air Preparation Unit
Auto Drain

Example Code - SH12-FR-SR-AD-10-X3



SH
Air Preparation Unit
Auto Drain

Example Code - SH12-FR-SR-AD-10-X3-02



SH
Air Preparation Unit
Auto Drain

All dimensions in mm

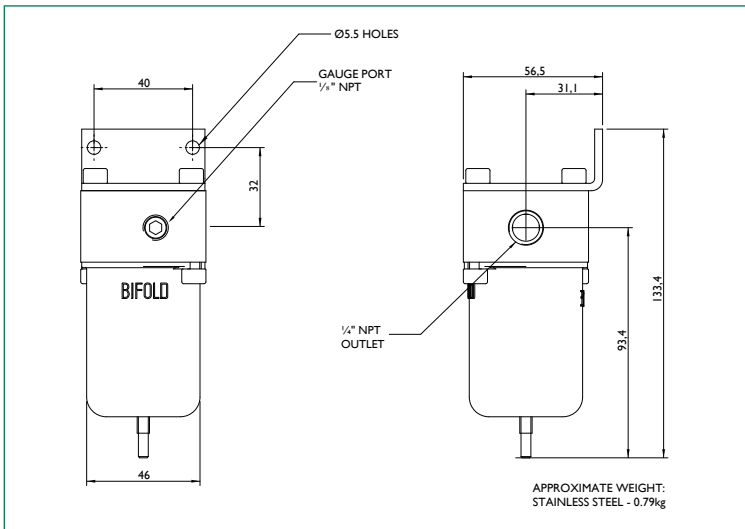
Accuracy of information
We take care to ensure that product information in this catalogue is reasonably accurate and up-to-date. However, our products are continually developed and updated so to ensure accurate and up-to-date information please refer to the product catalogue issue list on our web site or contact a member of our sales team.

When selecting a product, the applicable operating system design must be considered to ensure safe use. The products function, material compatibility, adequate ratings, correct installation, operation and maintenance are the responsibilities of the system designer and user.

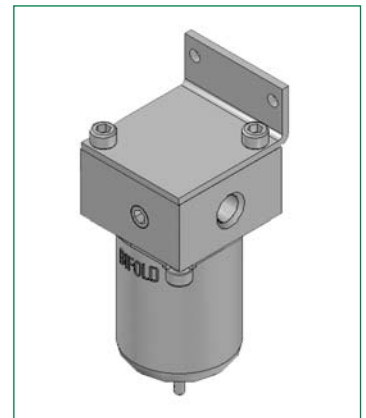
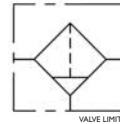
Quality Assurance
All Bifold products are manufactured to a most stringent QA programme to ensure that every product will give optimum performance and reliability. We are third party certified to BS EN ISO 9001:2008. Functional test certificate, letter of conformity and copies of original mill certificates, providing total traceability are available on request, to BS EN 10204 3.1 where available. We reserve the right to make changes to the specifications and design etc., without prior notice.

Dimensional Drawings

Example Code - SH06-FI-MD-X3

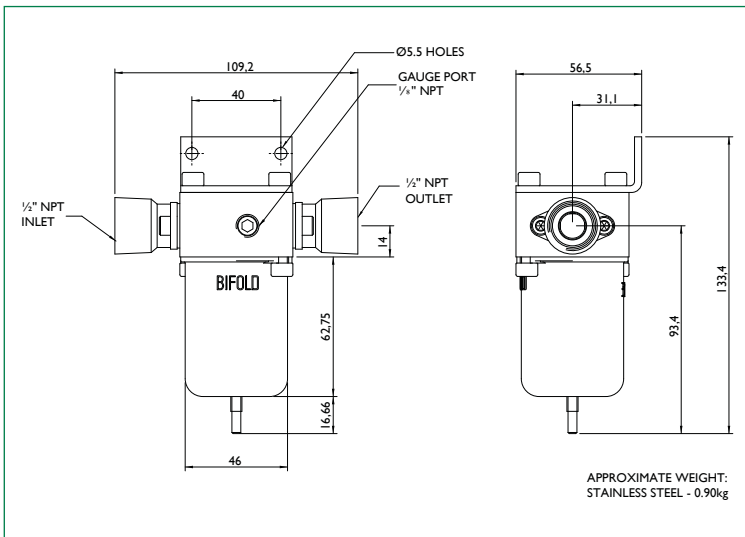


SCHEMATIC

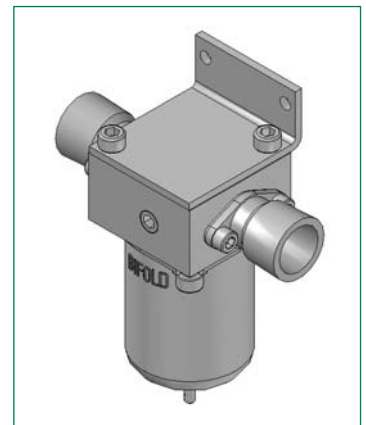
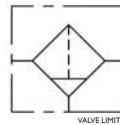


SH
Air Preparation Unit
Filter Manual Drain

Example Code - SH12-FI-MD-X3

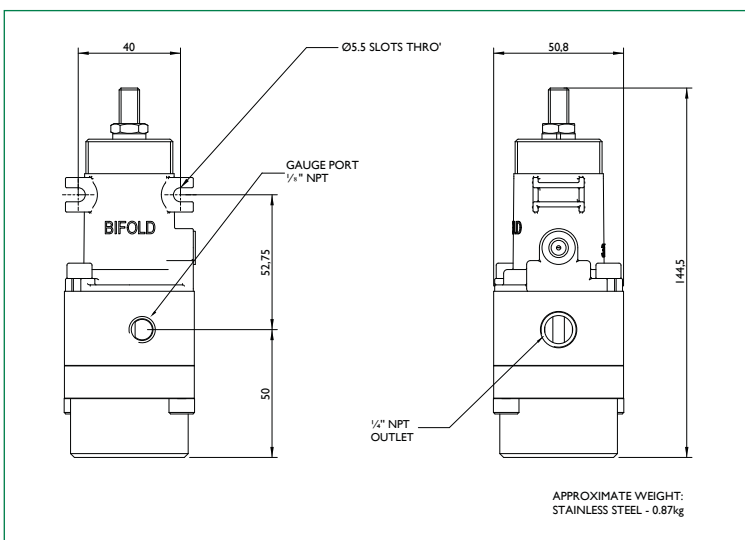


SCHEMATIC

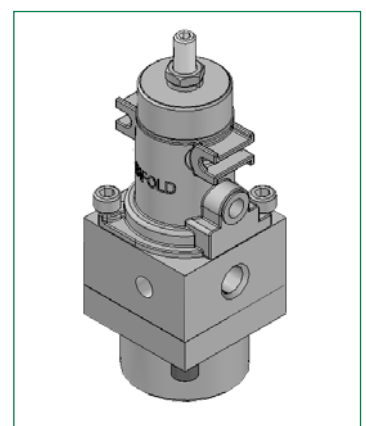
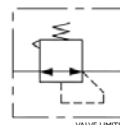


SH
Air Preparation Unit
Filter Manual Drain

Example Code - SH06-RI-SR-10



SCHEMATIC



SH
Air Preparation Unit
Regulator Manual Drain

All dimensions in mm

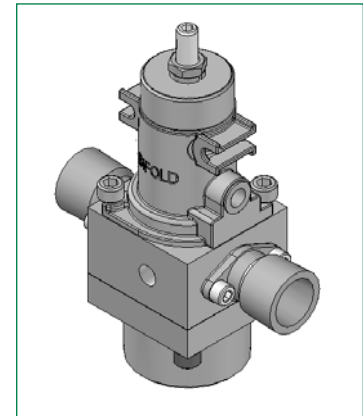
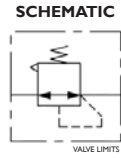
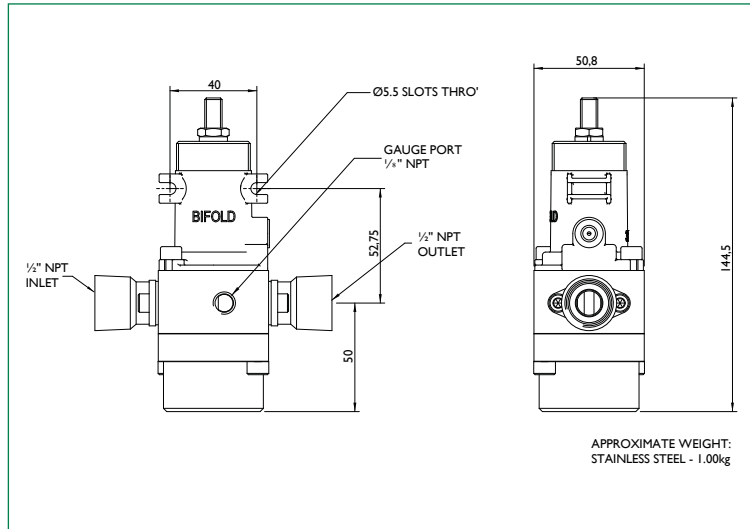
Accuracy of information
We take care to ensure that product information in this catalogue is reasonably accurate and up-to-date. However, our products are continually developed and updated so to ensure accurate and up-to-date information please refer to the product catalogue issue list on our web site or contact a member of our sales team.

When selecting a product, the applicable operating system design must be considered to ensure safe use. The products function, material compatibility, adequate ratings, correct installation, operation and maintenance are the responsibilities of the system designer and user.

Quality Assurance
All Bifold products are manufactured to a most stringent QA programme to ensure that every product will give optimum performance and reliability. We are third party certified to BS EN ISO 9001:2008. Functional test certificate, letter of conformity and copies of original mill certificates, providing total traceability are available on request, to BS EN 10204 3.1 where available. We reserve the right to make changes to the specifications and design etc., without prior notice.

Dimensional Drawings

Example Code - SH12-RI-SR-10



SH
Air Preparation Unit
Regulator Manual Drain

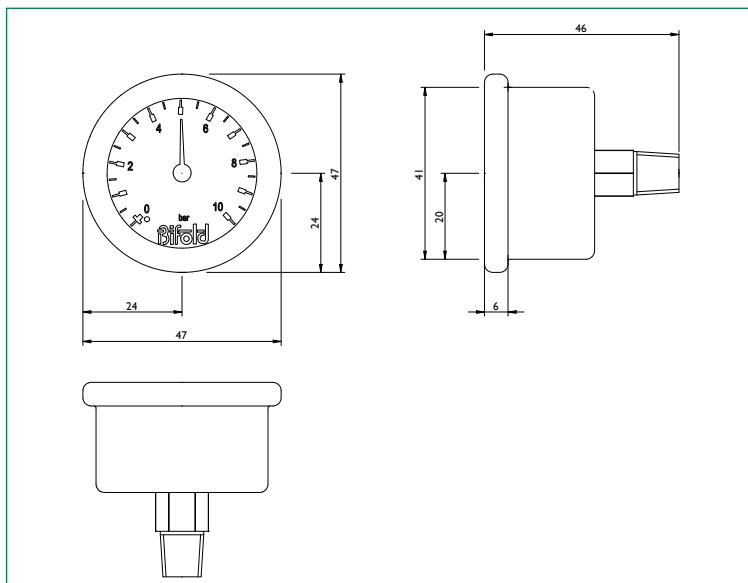
Accuracy of information
We take care to ensure that product information in this catalogue is reasonably accurate and up-to-date. However, our products are continually developed and updated so to ensure accurate and up-to-date information please refer to the product catalogue issue list on our web site or contact a member of our sales team.

When selecting a product, the applicable operating system design must be considered to ensure safe use. The products function, material compatibility, adequate ratings, correct installation, operation and maintenance are the responsibilities of the system designer and user.

Quality Assurance
All Bifold products are manufactured to a most stringent QA programme to ensure that every product will give optimum performance and reliability. We are third party certified to BS EN ISO 9001:2008. Functional test certificate, letter of conformity and copies of original mill certificates, providing total traceability are available on request, to BS EN 10204 3.1 where available. We reserve the right to make changes to the specifications and design etc., without prior notice.

Gauge Options

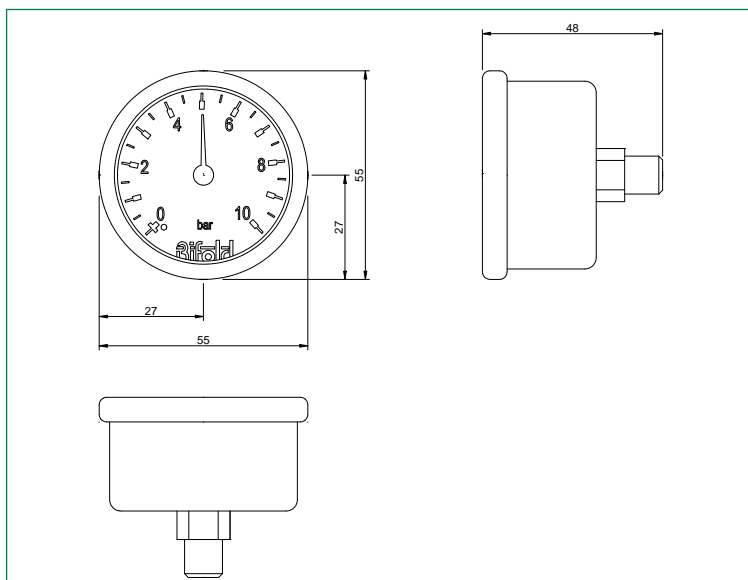
SC - Compact Air Preparation Unit



- X10** 10 bar - 40mm Gauge.
- X11** 10 bar - 40mm Glycerine Filled Gauge.
- X10PB** 145 psi / 10 bar - 40mm Dual Gauge.
- X11PB** 145 psi / 10 bar - 40mm Dual Glycerine Filled Gauge.

(316L stainless steel case as standard).

SH - Air Preparation Unit

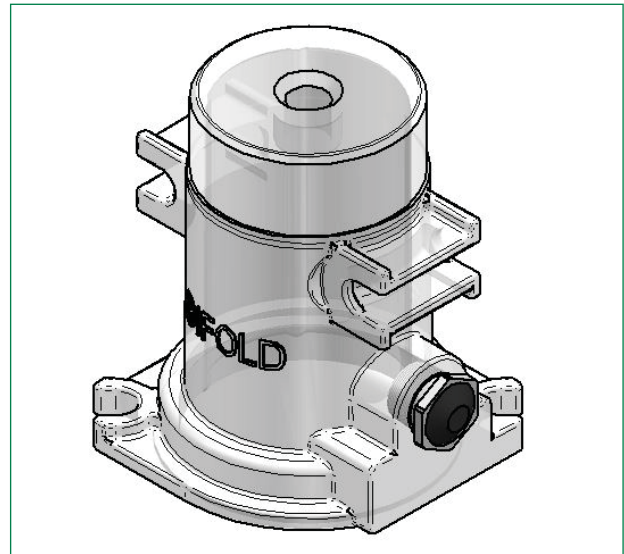
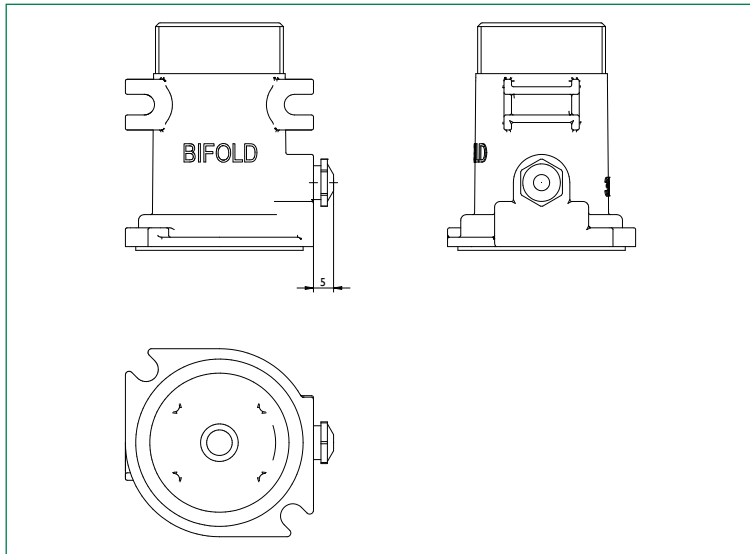


- X5** 10 bar - 50mm Gauge.
 - X8** 10 bar - 50mm Glycerine Filled Gauge.
 - X5PB** 145 psi / 10 bar - 50mm Gauge.
 - X8PB** 145 psi / 10 bar - 50mm Glycerine Filled Gauge.
- Other scale plates available.

(316L stainless steel case as standard).

Additional Options

SC - Compact Air Preparation Unit & SH - Air Preparation Unit



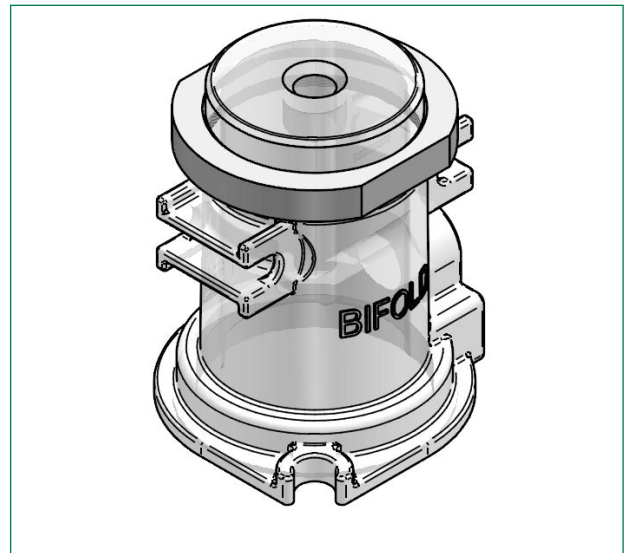
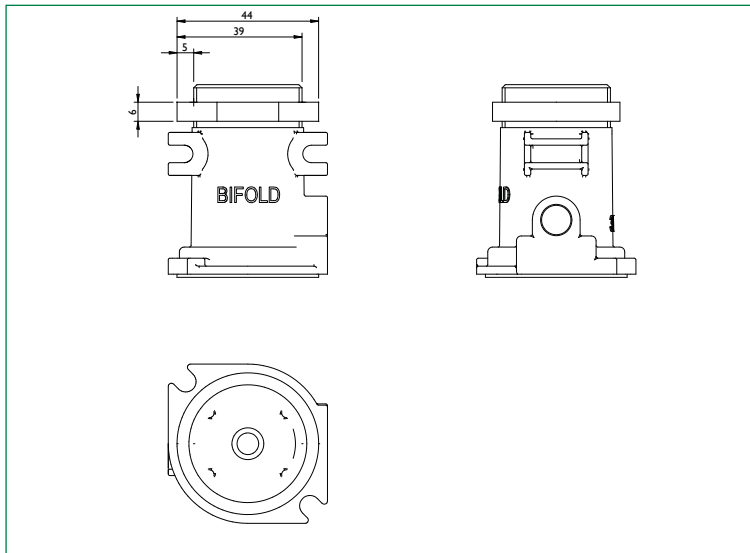
Bug Vent

L15 Viton / 316L Stainless Steel Bug Vent.

(Not Applicable to SH Filters)

Mounting Options

SH - Air Preparation Unit



Mounting Option

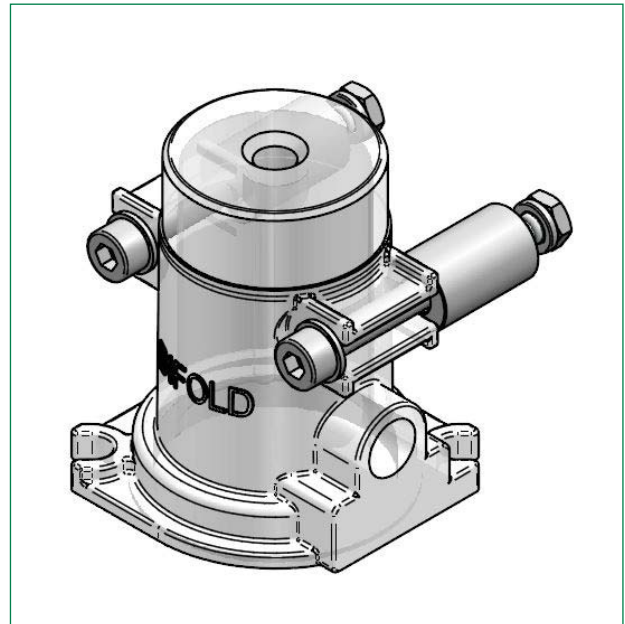
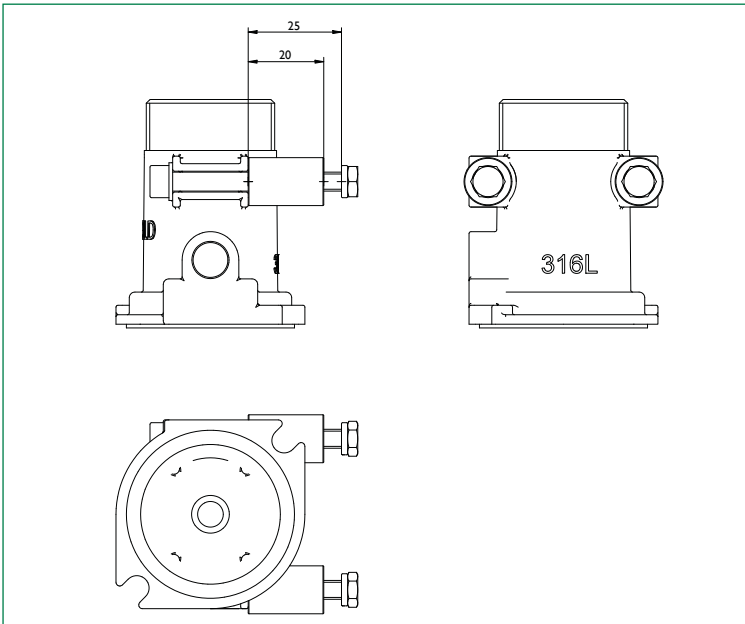
(Not Applicable to Filters)

L8 Panel Mount Kit

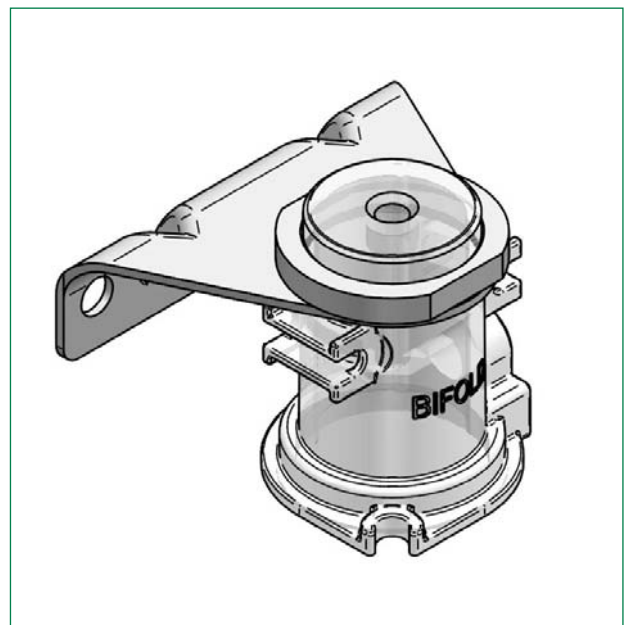
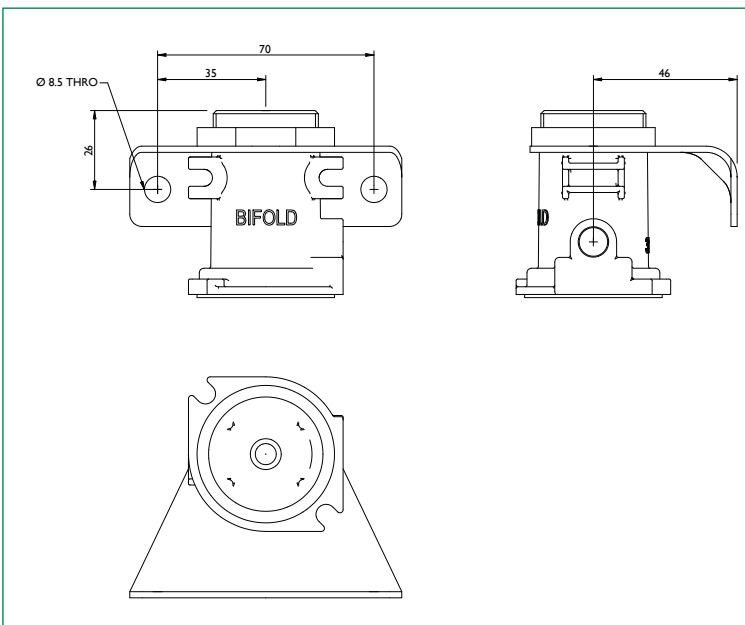
(Not Applicable to SH19 and SH25)

Mounting Options

SH - Air Preparation Unit



Mounting Option
 (Not Applicable to Filters)
L9 Pillar Mount Kit (Not Applicable to SH19 and SH25)

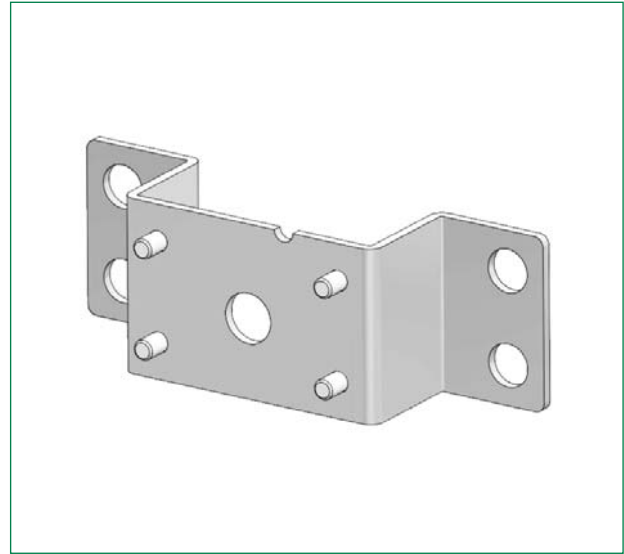
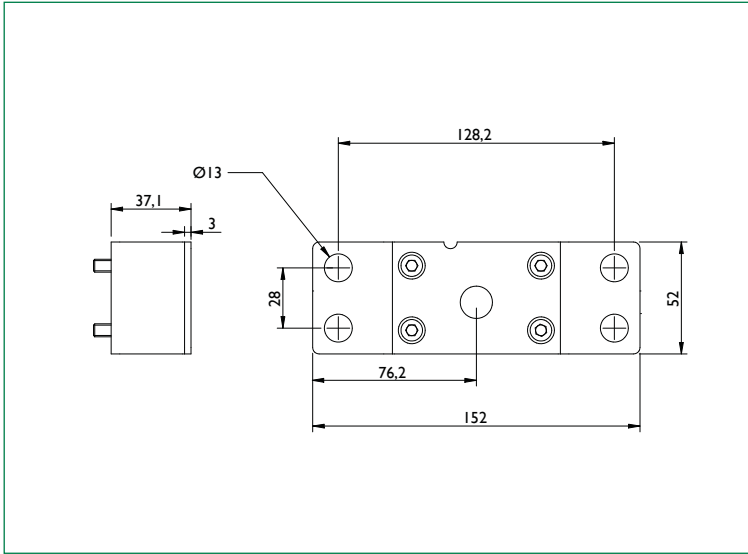


Mounting Option
 (Not Applicable to Filters)
L46 Panel Mount and Bracket (Not Applicable to SH19 and SH25)

Mounting Options



SH - Air Preparation Unit



Bug Vent
L160 Bracket

(Only Applicable to SH19 and SH25)



Accuracy of information
We take care to ensure that product information in this catalogue is reasonably accurate and up-to-date. However, our products are continually developed and updated so to ensure accurate and up-to-date information please refer to the product catalogue issue list on our web site or contact a member of our sales team.

When selecting a product, the applicable operating system design must be considered to ensure safe use. The products function, material compatibility, adequate ratings, correct installation, operation and maintenance are the responsibilities of the system designer and user.

Quality Assurance
All Bifold products are manufactured to a most stringent QA programme to ensure that every product will give optimum performance and reliability. We are third party certified to BS EN ISO 9001:2008. Functional test certificates, letter of conformity and copies of original mill certificates, providing total traceability are available on request, to BS EN 10204 3.1 where available. We reserve the right to make changes to the specifications and design etc., without prior notice.

**Pneumatic and
Instrumentation Valves**
Hydraulic Valves
Subsea Valves
**Hydraulic Pumps,
Intensifiers and Valves**
**Actuator Electronic
Control and Positioning**



Accuracy of Information

We take care to ensure that product information in this catalogue is reasonably accurate and up-to-date. However, our products are continually developed and updated so to ensure accurate and up-to-date information please refer to the product catalogue issue list on our web site or contact a member of our sales team.

Quality Assurance

All Bifold products are manufactured to a most stringent QA programme. Every care is taken at all stages of manufacture to ensure that every product will give optimum performance and reliability. We are third party certified to BS EN ISO 9001:2008. Functional test certificates, letter of conformity and copies of original mill certificates, providing total traceability are available on request to BS EN 10204 3.1 where available. We reserve the right to make changes to the specifications and design etc., without prior notice.

When selecting a product, the applicable operating system design must be considered to ensure safe use. The products function, material compatibility, adequate ratings, correct installation, operation, and maintenance are the responsibilities of the system designer and user.

Bifold, Bifold Fluidpower, Bifold Subsea, Marshalsea Hydraulics and Bifold Orange are all members of the Bifold Group.

Registered No. 1787729 in England.
Registered Office:
Rotork House,
Brassmill Lane,
Bath, BA1 3JQ.

Bifold Fluidpower Ltd
Bifold Group
Broadgate, Oldham Broadway
Business Park, Chadderton,
Greater Manchester, OL9 9XA. UK.

Tel: +44 (0) 161 345 4777
Email: marketing@bifold.co.uk
Web: bifold.co.uk

Bifold Orange
Unit 7, Cosford Business Park
Central Park, Lutterworth
Leicestershire
LE17 4QU, UK.

Tel: +44 (0) 161 345 4777
Email: marketing@bifold.co.uk
Web: bifold.co.uk

Marshalsea Hydraulics Limited
Marshalsea House, Venture Way
Priorswood Industrial Estate
Taunton, Somerset,
TA2 8DE. UK.
Tel: +44 (0) 1823 331081
Fax: +44 (0) 1823 323382
Email: info@marshalsea.co.uk
Web: bifold.co.uk

USA Office
Bifold Fluidpower Ltd
11490 Westheimer,
Suite 850,
Houston, TX, 77077.
Tel: +1 (713) 304 4012
Fax: +1 (713) 783 0067
Email: marketing@bifold.co.uk
Web: bifold.co.uk

Singapore Office

Please see the Bifold website, contact us page for the full address.

Mobile: +65 98245580
Email: marketing@bifold.co.uk
Web: bifold.co.uk

**Innovative and Reliable
Valve Solutions**



bifold.co.uk