

Art. "C3"

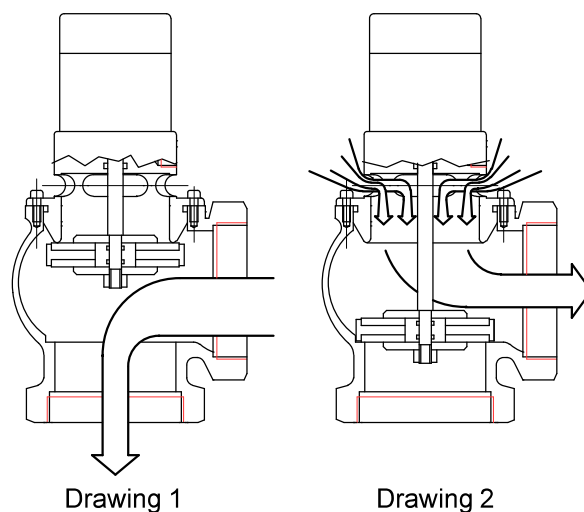
OPERATION

When the valve is open (drawing 1) the vacuum can be created and kept inside the unit, the arrow indicates the passage from the unit to the suction pump.

When the valve is closed (drawing 2), vacuum can be exhausted through the holes of the central body, the arrows indicate the air passage from outside towards the unit.

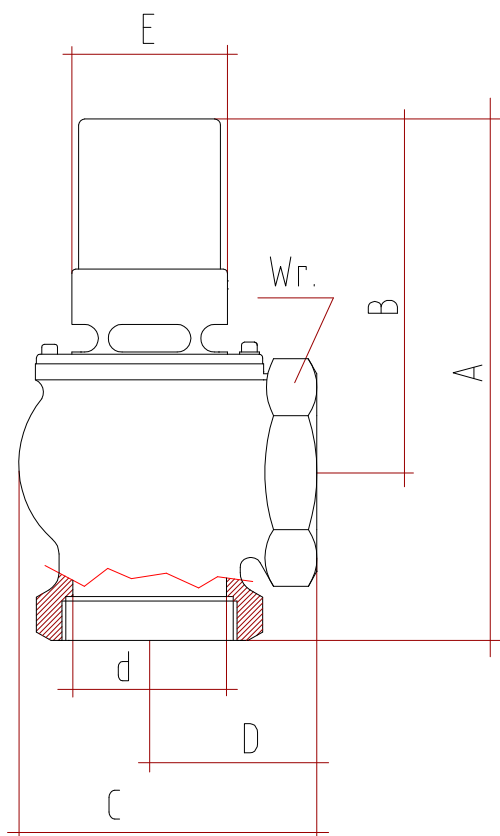
ASSEMBLY

The direction of vacuum flow must be as shown in drawing 1, i.e. OPPOSITE to the arrow printed into the valve body.



Drawing 1

Drawing 2



OVERALL DIMENSIONS

DN	G	A	B	C	D	E	d	Wrench	Weight
mm.		mm.	mm.	mm.	mm.	mm.	mm.	mm.	gr.
15	1/2"	121	89	52	32	50	15	27	500
32	1"1/4	173	124	82	49	65	32	50	1350
50	2"	195	134	110	61	65	50	70	2350
80	3"	264	179	155	85	79	78	100	4920