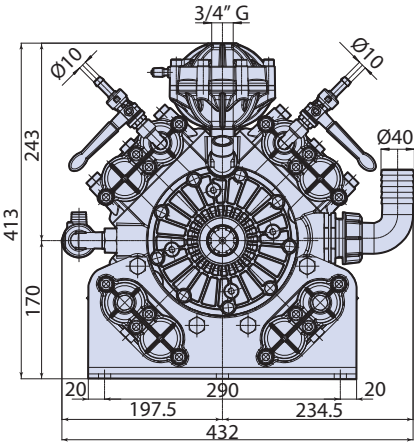


Description

Semi-hydraulic four-diaphragm pump, for use on sprayers for high pressure pesticide spraying in orchards and vineyards. Parts in contact with pumped liquids in anodized aluminium, and AISI 303/304. Diaphragms in BlueFlex™. Seals in NBR. Die-cast casing with oil-immersed mechanism and clear plastic tank for visual level checking. Fitted with air-hydraulic damper for smoother operation and less hammer effect in the delivery circuit. Remote oil tank installation kit available on request. Oil drainage stopper. Pistons with ring for a more efficient "oil cushion" system to protect the diaphragm. New-design diaphragm cut-out system to prevent contact tearing even in heavy-duty operating conditions. Spherical sector profile valves for lower flow resistance and improved volumetric efficiency. Mass-produced safety valve and cardan protection. Metal fasteners with galvanised finish.



Details	Value
ARCode	32121
Category	Anodized High Pressure
Product	AR 1604
Version	AP C/C
Number of diaph	4
Delivery (l/min)	153
Delivery (gpm)	40,4
Pressure (bar)	50
Pressure (psi)	725
Power (hp)	18,6
RPM	550
Weight (kg)	40
Dimensions (mm) L	432
Dimensions (mm) H	413
Dimensions (mm) W	427
Suction (mm)	ø 40
Outlet (mm)	ø 3/4" G(M)
Temperature Max °C	60



@ = Pump axis - Asse pompa

