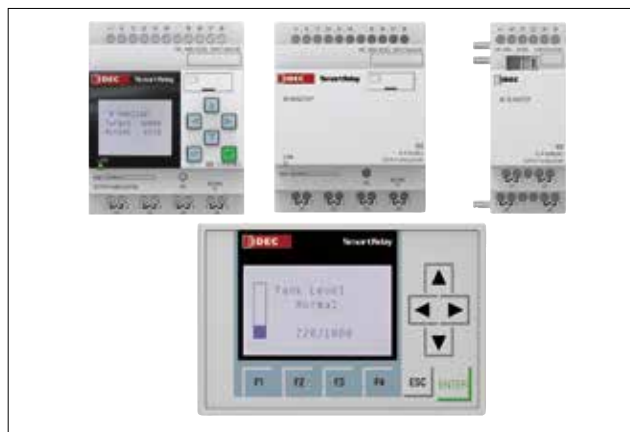


# FL1F IDEC SmartRelay

## New IDEC SmartRelay FL1F enhances both high performance and easy control.

- Maximum I/O 60 points: (24DI + 20DO + 8AI + 8AO)
- Maximum programming capacity: 8,500 bytes (400 function blocks)
- For Base Modules with LCD display, not only program editing and monitoring of function blocks, but also addition and deletion of programs can be performed.
- The newly-developed user interface enables intuitive operation. Programs can be modified quickly.
- For Base Modules with LCD display, a backlight display with 3 colors (white, amber, red), which can display 16 characters x 6 lines, is available (2-byte characters also available).
- Data is stored in a non-volatile memory, which provides no limit in backup time.
- With a built-in clock function, a maximum of 20-day backup is possible (at ambient temperature of 25°C.)
- Equipped with a micro SD memory card slot, program downloading and data logging is possible using a commercially-available memory card.
- Ethernet communication port (RJ45). No cables required for downloading and uploading user programs.
- Web server function monitors the monitoring status of the FL1F on-site from PCs and smart devices.
- With 1:n communication, a system with a maximum of 16 connections can be built.
- The Text Display for FL1F is a backlight LCD display (160 x 96 dots) available in 3 colors (white, amber, and red). Display of up to 20 characters x 6 lines. Scrolling, blinking, and bar graph available.
- Five new function blocks available (astronomical clock, analog filter, maximum and minimum, average, stop watch).



## FL1F

### Base Modules

Package Quantity: 1

Rated Power Voltage	Input Signal	Output Signal	Display	Clock	I/O Points	Weight (approx.)	Part No.
24V DC	DC I1, I2, I7 and I8 are used for digital/analog inputs	Transistor	Yes	Yes	8/4 points	195g	FL1F-H12SCD
12/24V DC		Relay	Yes	Yes	8/4 points	240g	FL1F-H12RCE
24V AC/DC	AC/DC*1	Relay	Yes	Yes	8/4 points	240g	FL1F-H12RCA
100 to 240V AC/DC		Relay	Yes	Yes	8/4 points	240g	FL1F-H12RCC
			—			200g	FL1F-B12RCE
			—			200g	FL1F-B12RCA
			—			200g	FL1F-B12RCC

\*1: With NPN/PNP sensor input. For details, see "Input Internal Circuits" on page 5.

### Expansion I/O Modules

Package Quantity: 1

Type	Rated Power Voltage	Input Signal	Output Signal	I/O Points	Weight (approx.)	Part No.
Input/Output	24V DC	DC	Transistor	4/4 points	95g	FL1F-M08B1S2
	12/24VDC	DC	Relay	4/4 points	130g	FL1F-M08B2R2
	24V AC/DC*2	AC/DC*2	Relay	4/4 points	130g	FL1F-M08D2R2
	100 to 240V AC/DC	AC/DC	Relay	4/4 points	130g	FL1F-M08C2R2
Analog Input	12/24V DC	Analog	—	2/0 points	95g	FL1F-J2B2
Analog Output	24V DC	—	Analog	0/2 points	95g	FL1F-K2BM2

\*2: With NPN/PNP sensor input. For details, see "Input Internal Circuits" on page 5.

- I/O points within the maximum number of expandable I/O points can be used.
- When using modules of the same power voltage, supply power to the Base Module and Expansion I/O Modules using one power supply. When power is supplied to the modules from different power supplies, the fast transient burst is 1 kV (IEC61000-4-4).

### Text Display for FL1F

Package Quantity: 1

Rated Power Voltage	Weight (approx.)	Part No.	Remarks
24V AC/DC 12V DC	220g	FL1F-RD1	Supplied with a mounting clip and gasket

### Options

Name	Part No.	Ordering No.	Package Quantity	Remarks
Application Software: WindLGC	FL9Y-LP1CDW	FL9Y-LP1CDW	1	DVD-ROM (incl. online help manual)
Mounting Clip for Base Module	FL1F-PSP1	FL1F-PSP1PN05	5	Supplied with a module*3
Mounting Clip and Waterproof Gasket for Text Display	FL1F-KW1	FL1F-KW1	1	Supplied with Text Display*4
IDEC SmartRelay User's Manual (English)	FL9Y-B1789	FL9Y-B1789	1	Downloadable from: <a href="http://www.idec.com/download">http://www.idec.com/download</a>

\*3: Supplied with a Base Module and an Expansion I/O Module.

\*4: Supplied with a Text Display, it includes a gasket, four mounting clips, and a power supply connector.

## Base Module Specifications

Base Module Type No.		FL1F-H12SCD	FL1F-H12RCE FL1F-B12RCE	FL1F-H12RCE FL1F-B12RCE	FL1F-H12RCE FL1F-B12RCE	
Power Supply	Rated Power Voltage	24V DC	12/24V DC	24V AC/DC	100 to 240V AC/DC	
	Allowable Voltage Range	20.4 to 28.8V DC	10.8 to 28.8V DC	20.4 to 26.4V AC 20.4 to 28.8V DC	85 to 265V AC 100 to 253V DC	
	Rated Frequency	—	—	47 to 63 Hz	47 to 63 Hz	
	Current Draw	15 to 50 mA (24V DC) 1.2A (with max. load on digital output)	30 to 140 mA (12V DC) 15 to 90 mA (24V DC)	15 to 150 mA (12V DC) 15 to 130 mA (24V DC)	15 to 40 mA (100V AC) 15 to 25 mA (240V AC) 5 to 10 mA (100V DC) 2 to 8 mA (240V DC)	
	Allowable Momentary Power Interruption	—	2 ms Typ. (12V DC) 5 ms Typ. (24V DC)	5 ms Typ. (24V AC/DC)	10 ms Typ. (100V AC/DC) 20 ms Typ. (240V AC/DC)	
	Power Consumption	1.2 W (24V DC)	1.7 W (12V DC) 2.2 W (24V DC)	3.6 W (24V AC) 3.2 W (24V DC)	4.6 W (100V AC) 6.0 W (240V AC) 1.2 W (100V DC) 2.0 W (240V DC)	
	Reverse Polarity Protection	Yes	Yes	—	—	
Clock	Backup Duration	20 days	20 days	20 days	20 days	
	Clock Accuracy	±2 sec/day (Typ.)	±2 sec/day (Typ.)	±2 sec/day (Typ.)	±2 sec/day (Typ.)	
Input	Input Signal	DC	DC	AC/DC	AC/DC	
	Input Points	8 (I1 to I8)	8 (I1 to I8)	8 (I1 to I8)	8 (I1 to I8)	
	High-speed Input*1	4 (I3, I4, I5, I6), 5 kHz maximum	4 (I3, I4, I5, I6), 5 kHz maximum	—	—	
	Analog Input Points	4 (I1, I2, I7, I8)	4 (I1, I2, I7, I8)	—	—	
	Analog Input Range	0 to 10V DC (max. rated input: 28.8V DC)	0 to 10V DC (max. rated input: 28.8V DC)	—	—	
	Analog Input Error	±1.5 (of full scale)	±1.5 (of full scale)	—	—	
	Analog Input Resolution	10 bits (0 to 1000)	10 bits (0 to 1000)	—	—	
	Cycle time	300 ms	300 ms	300 ms	300 ms	
	Allowable Voltage Range	0 to 28.8V DC	0 to 28.8V DC	0 to 26.4V AC 0 to 28.8V DC	0 to 265V AC 0 to 253V DC	
	Input Impedance	Digital Input	5.8 kΩ	5.8 kΩ	4.8 kΩ	610 kΩ
		Analog Input	72 kΩ	72 kΩ	—	—
	Isolation	—	—	—	—	
	Operating Range	OFF Voltage	< 5V DC	< 5V DC	< 5V AC/DC	< 40V AC < 30V DC
		ON Voltage	≥ 12V DC	≥ 8.5 V DC	≥ 12V AC/DC	≥ 79V AC ≥ 79V DC
		OFF Current	< 0.9 mA (I3 to I6) < 0.07 mA (I1, I2, I7, I8)	< 0.88 mA (I3 to I6) < 0.07 mA (I1, I2, I7, I8)	< 1.2 mA	< 0.05 mA (AC) < 0.06 mA (DC)
		ON Current	≥ 2.1 mA (I3 to I6) ≥ 0.18 mA (I1, I2, I7, I8)	≥ 1.5 mA (I3 to I6) ≥ 0.12 mA (I1, I2, I7, I8)	≥ 2.6 mA	≥ 0.08 mA (AC) ≥ 0.13 mA (DC)
	Turn ON Time	1.5 ms (Typ.) ≤ 1.0 ms (I3 to I6)	1.5 ms (Typ.) ≤ 1.0 ms (I3 to I6)	1.5 ms (Typ.)	100V AC: 40 ms (Typ.) 240V AC: 30 ms (Typ.) 100V DC: 25 ms (Typ.) 240V DC: 20 ms (Typ.)	
	Turn OFF Time	1.5 ms (Typ.) ≤ 1.0 ms (I3 to I6)	1.5 ms (Typ.) ≤ 1.0 ms (I3 to I6)	15 ms (Typ.)	100V AC: 45 ms (Typ.) 240V AC: 70 ms (Typ.) 100V DC: 60 ms (Typ.) 240V DC: 75 ms (Typ.)	
	Wire Length	100m <sup>2</sup>	100m <sup>2</sup>	100m <sup>2</sup>	100m <sup>2</sup>	
Output Signal	Transistor source output	Relay output	Relay output	Relay output		
Output Points/ Contact Configuration	4 points (separate)	4NO contacts	4NO contacts	4NO contacts		
Isolation	—	Isolated	Isolated	Isolated		
Dielectric Strength (between power/input terminals and output terminals)	—	2500V AC, 1 minute 500V DC, 1 minute	2500V AC, 1 minute 500V DC, 1 minute	2500V AC, 1 minute 500V DC, 1 minute		
Output Voltage	External power voltage	—	—	—		
Output	Maximum Load Current	0.3A maximum	Resistive load 10A at 12/24V AC/DC 10A at 100/120V AC 10A at 230/240V AC 0.2 A at 120V DC 0.1 A at 240V DC Inductive load 2A at 12/24V AC/DC 3A at 100/120V AC 3A at 230/240V AC 0.2 A at 120V DC 0.1 A at 240V DC	Resistive load 10A at 12/24V AC/DC 10A at 100/120V AC 10A at 230/240V AC 0.2 A at 120V DC 0.1 A at 240V DC Inductive load 2A at 12/24V AC/DC 3A at 100/120V AC 3A at 230/240V AC 0.2 A at 120V DC 0.1 A at 240V DC	Resistive load 10A at 12/24V AC/DC 10A at 100/120V AC 10A at 230/240V AC 0.2 A at 120V DC 0.1 A at 240V DC Inductive load 2A at 12/24V AC/DC 3A at 100/120V AC 3A at 230/240V AC 0.2 A at 120V DC 0.1 A at 240V DC	
	Surge Current	—	30A maximum	30A maximum	30A maximum	
	Short-circuit Protection	Built-in current limiting resistor: Approx. 1A	External fuse required: 16A maximum	External fuse required: 16A maximum	External fuse required: 16A maximum	
	Minimum Switching Load	—	10 mA, 12V DC (reference value)	10 mA, 12V DC (reference value)	10 mA, 12V DC (reference value)	
	Initial Contact Resistance	—	100 mΩ maximum (at 1A, 24V DC)	100 mΩ maximum (at 1A, 24V DC)	100 mΩ maximum (at 1A, 24V DC)	
	Mechanical Life	—	10 million operations (no load, 10 Hz)	10 million operations (no load, 10 Hz)	10 million operations (no load, 10 Hz)	
	Electrical Life	—	100,000 operations (rated resistive load) 1800 operations/hour	100,000 operations (rated resistive load) 1800 operations/hour	100,000 operations (rated resistive load) 1800 operations/hour	

\*1: When selecting frequency trigger function.

\*2: 10m when connected to analog input (twisted pair cable)

**Initialization Time:** After power-up, the FL1F takes a maximum of 1.2 seconds (when using a micro SD card) for initialization. When initialization is complete, the FL1F is automatically set to RUN mode.

## Expansion I/O Module Specifications

Expansion I/O Module Type No.		FL1F-M08B1S2	FL1F-M08B2R2	FL1F-M08D2R2	FL1F-M08C2R2	FL1F-J2B2	FL1F-K2BM2	
Power Supply	Rated Power Voltage	24V DC	12/24V DC	24V AC/DC	100 to 240V AC/DC	12/24V DC	24V DC	
	Allowable Voltage Range	20.4 to 28.8V DC	10.8 to 28.8V DC	20.4 to 26.4V AC 20.4 to 28.8V DC	85 to 265V AC 100 to 253V DC	10.8 to 28.8V DC	20.4 to 28.8V DC	
	Rated Frequency	—	—	50/60Hz (47 to 63Hz)	50/60Hz (47 to 63Hz)	—	—	
	Current Draw	15 to 40 mA	10 to 80 mA (12V DC) 10 to 40 mA (24V DC)	20 to 100 mA (24V AC) 8 to 50 mA (24V DC)	10 to 30 mA (100V AC) 10 to 20 mA (240V AC) 5 to 15 mA (100V DC) 5 to 10 mA (240V DC)	15 to 30 mA	15 to 82 mA	
	Allowable Momentary Power Interruption	—	2 ms (typ.) (12V DC) 5 ms (typ.) (24V DC)	5 ms (typ.) (24V AC/DC)	10 ms (typ.) (100V AC/DC) 20 ms (typ.) (240V AC/DC)	10 ms (typ.) (12/24V DC)	10 ms (typ.)	
	Power Consumption	1.0W	1.0W (12V DC) 1.0W (24V DC)	2.4W (24V AC) 1.2W (24V DC)	3.5W (100V AC) 4.8W (240V AC) 1.8W (100V DC) 2.4W (240V DC)	0.4W (12V DC) 0.8W (24V DC)	2.0W	
	Reverse Polarity Protection	Yes	Yes	—	—	Yes	Yes	
Input	Input Signal	DC input	DC input	AC/DC input	AC/DC input	Analog input	—	
	Input Points	4	4	4	4	—	—	
	Isolation	—	—	—	—	—	—	
	Allowable Voltage Range	20.4 to 28.8V DC	10.8 to 28.8V DC	20.4 to 26.4V AC 20.4 to 28.8V DC	85 to 265V AC 100 to 253V DC	—	—	
	Operating Range	OFF Voltage	< 5V DC	< 5V DC	< 5V AC/DC	< 40V AC < 30V DC	—	—
		ON Voltage	≥ 12V DC	≥ 8.5V DC	≥ 12V AC/DC	≥ 79V AC ≥ 79V DC	—	—
		OFF Current	< 0.88 mA	< 0.88 mA	< 1.1 mA	< 0.05 mA (AC) < 0.06 mA (DC)	—	—
		ON Current	≥ 2.1 mA	≥ 1.5 mA	≥ 2.63 mA	≥ 0.08 mA (AC) ≥ 0.13 mA (DC)	—	—
	Turn ON Time	1.5 ms (Typ.)	1.5 ms (typ.)	1.5 ms (typ.)	100V AC: 40 ms (typ.) 240V AC: 30 ms (typ.) 100V DC: 25 ms (typ.) 240V DC: 20 ms (typ.)	—	—	
	Turn OFF Time	1.5 ms (Typ.)	1.5 ms (typ.)	15 ms (typ.)	100V AC: 45 ms (typ.) 240V AC: 70 ms (typ.) 100V DC: 60 ms (typ.) 240V DC: 75 ms (typ.)	—	—	
	Analog Input Points	—	—	—	—	2	—	
	Analog Input Range	—	—	—	—	0 to 10V (max. rated input: 28.8V) 0 to 20 mA (max. rated input: 40 mA)	—	
	Digital Resolution	—	—	—	—	10 bits (0 to 1000)	—	
	Input Error	—	—	—	—	±1.5% (of full scale)	—	
	Input Impedance	—	—	—	—	76 kΩ (0 to 10V) 250Ω (0 to 20mA)	—	
Sampling Cycle	—	—	—	—	50ms	—		
Output	Wire Length	100m	100m	100m	100m	10m (twisted-pair shielded cable)	—	
	Output Signal	Transistor source output	Relay output	Relay output	Relay output	—	—	
	Output Points/Contact Configuration	4 points (separate)	4NO contacts	4NO contacts	4NO contacts	—	—	
	Isolation	—	Isolated	Isolated	Isolated	—	—	
	Dielectric Strength (between power/input terminals and output terminals)	—	2500V AC, 1 minute 500V DC, 1 minute	2500V AC, 1 minute 500V DC, 1 minute	2500V AC, 1 minute 500V DC, 1 minute	—	—	
	Output Voltage	External power voltage (20.4 to 28.8V DC)	—	—	—	—	—	
	Maximum Load Current	0.3A maximum	Resistive load 5A at 12/24V AC/DC 5A at 100/120V AC 5A at 230/240V AC 0.2 A at 120V DC 0.1 A at 240V DC Inductive load 2A at 12/24V AC/DC 3A at 100/120V AC 3A at 230/240V AC 0.2 A at 120V DC 0.1 A at 240V DC	Resistive load 5A at 12/24V AC/DC 5A at 100/120V AC 5A at 230/240V AC 0.2 A at 120V DC 0.1 A at 240V DC Inductive load 2A at 12/24V AC/DC 3A at 100/120V AC 3A at 230/240V AC 0.2 A at 120V DC 0.1 A at 240V DC	Resistive load 5A at 12/24V AC/DC 5A at 100/120V AC 5A at 230/240V AC 0.2 A at 120V DC 0.1 A at 240V DC Inductive load 2A at 12/24V AC/DC 3A at 100/120V AC 3A at 230/240V AC 0.2 A at 120V DC 0.1 A at 240V DC	—	—	
	Short-circuit Protection	Built-in current limiting resistor: Approx. 1A	External fuse required: 16A maximum	External fuse required: 16A maximum	External fuse required: 16A maximum	—	Yes	
	Minimum Switching Load	—	10 mA, 12V DC (reference value)	10 mA, 12V DC (reference value)	10 mA, 12V DC (reference value)	—	—	
	Initial Contact Resistance	—	100 mΩ maximum (at 1A, 24V DC)	100 mΩ maximum (at 1A, 24V DC)	100 mΩ maximum (at 1A, 24V DC)	—	—	
	Mechanical Life	—	10 million operations (no load, 10 Hz)	10 million operations (no load, 10 Hz)	10 million operations (no load, 10 Hz)	—	—	
	Electrical Life	—	100,000 operations (rated resistive load) 1800 operations/hour	100,000 operations (rated resistive load) 1800 operations/hour	100,000 operations (rated resistive load) 1800 operations/hour	—	—	
	Analog Output Points	—	—	—	—	—	2	
	Analog Output Range	—	—	—	—	—	Voltage: 0-10V DC Current: 0-20, 4-20 mA	
	Digital Resolution	—	—	—	—	—	10 bits (0 to 1000)	
	Output Error (of full scale)	—	—	—	—	—	Voltage output: ±2.5% Current output: ±3%	
	Output Impedance	—	—	—	—	—	Voltage: 5 kΩ minimum Current: 250Ω maximum	
	Analog Value Conversion Interval	—	—	—	—	—	50 ms (typ.)	
Wire Length	—	—	—	—	—	10m (twisted-pair shielded cable)		

## General Specifications

Item	Specifications	Standard
Operating Temperature	Horizontal Mounting	Cold: IEC60068-2-1 Hot: IEC60068-2-2
	Vertical Mounting	
Storage/Transportation Temperature	-40 to +70°C (no freezing)	—
Relative Humidity	10 to 95% (no condensation)	IEC60068-2-30
Atmospheric Pressure	795 to 1080 hPa	—
Operating Condition	No corrosive gas	—
Degree of Protection	IP20	—
Vibration Resistance	5 to 8.4 Hz, amplitude 3.5 mm	IEC60068-2-6
	8.4 to 150 Hz, acceleration 9.8 m/s <sup>2</sup>	
Shock Resistance	147 m/s <sup>2</sup>	IEC60068-2-27
Drop Test (packaged)	0.3m	IEC60068-2-32
Emissions	Limit class B Group 1 Conducted: 0.15 tp 30MHz	EN55011/A EN55022/B EN50081-1
Electrostatic Discharge Immunity	8 kV air discharge 6 kV contact discharge	IEC61000-4-2
Radiation Field Immunity	Field Strength: 1 V/m and 10 V/m	IEC61000-4-3
Fast Transient Burst	2 kV (power line) 2 kV (I/O signal line)	IEC61000-4-4
Surge Immunity*1 (FL1F-H12RCC, FL1F-B12RCC only)	1 kV (power line) normal 2 kV (power line) common	IEC61000-4-5
Communication Cable	2.5 mm <sup>2</sup> (one wire) 1.5 mm <sup>2</sup> (two wires)	—
Terminal Style	Finger-safe type*2	—

\*1: For protection against surge noise on DC power supply types (FL1F-H12RCE/ B12RCE, FL1F-H12SCD, FL1F-H12RCA/B12RCA), use surge absorbers, noise cut transformers, or noise filters. Use of a surge protection device (DEHN + SÖHNE GmbH + Co, BVT AD 24 Part No. 918 402) is recommended.

\*2: Tightening torque 0.5 to 0.6 N·m

## Text Display Specifications

### Specifications

Dimensions (W × H × D)	128.2 × 86 × 38.7 mm
Weight (approx.)	220g
Installation	Panel cut-out using mounting clips
Keyboard	Membrane keypad
Display	FSTN graphic display (W × H: 160 × 96 dots) LED backlight (White, Amber, Red)
Font type	English, Spanish, Russian, Chinese, Italian, Turkish, German, Dutch, French, Japanese
Displayable string	1 screen 6 lines × 20 columns

### Power Supply

Power Voltage	24V AC/DC 12V DC
Allowable Voltage Range	20.4 to 26.4V AC 10.2 to 28.8V DC
Allowable Voltage Frequency	47 to 63Hz
Power Consumption	12V DC: 145 mA (Typ.) 24V DC: 70 mA (Typ.) 24V AC: 75 mA (Typ.)
Data Transmission Rate	10/100 M full/half duplex data transmission rate

### LCD Display / Backlight

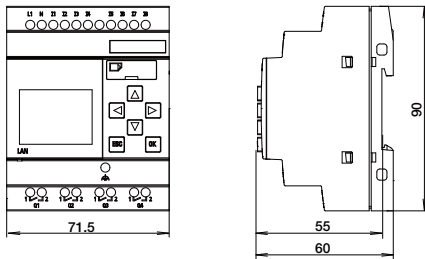
LCD Display Durability*3	50,000 hours
Backlight Durability*4	20,000 hours

\*3: Display durability is calculated under ordinary operating and storage conditions: room temperature, normal humidity below 65% RH, and not subjected to direct sunlight.

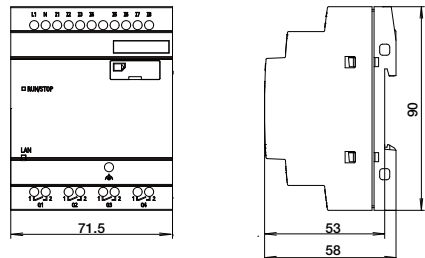
\*4: Backlight durability is the number of hours taken for the light to become 50% of the original brightness.

## Dimensions

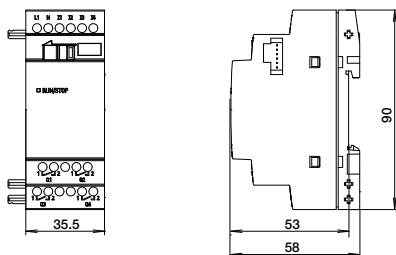
### Base Module (with Display)



### Base Module (without Display)

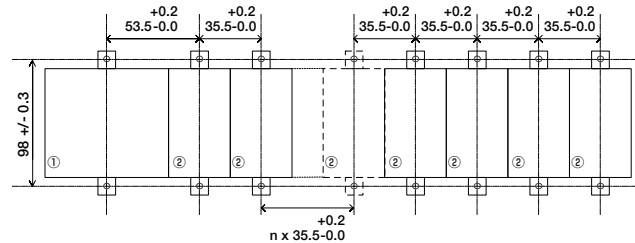


### Expansion I/O Module

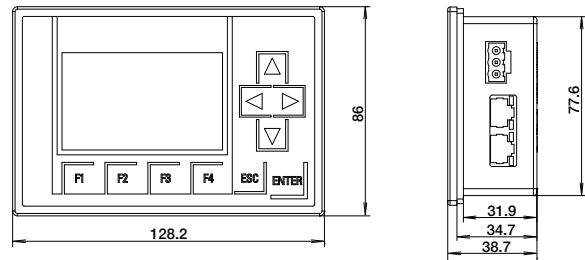


All dimensions in mm.

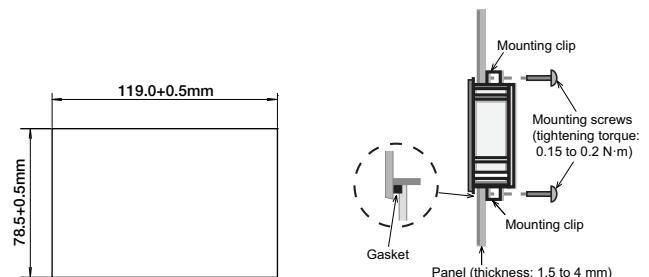
### Mounting Hole Layout (Using Mounting Slides)



### Text Display



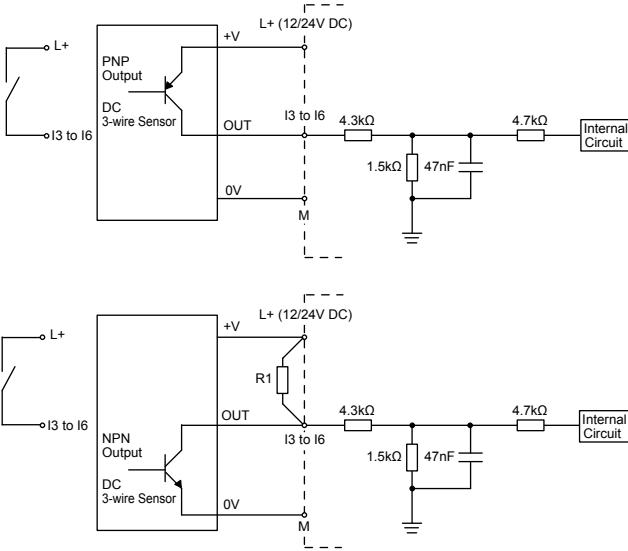
### (Panel Cutout)



## Input Internal Circuits

### DC Input

FL1F-H12SCD/-H12RCE /-B12RCE  
FL1F-M08B1S2/-M08B2R2



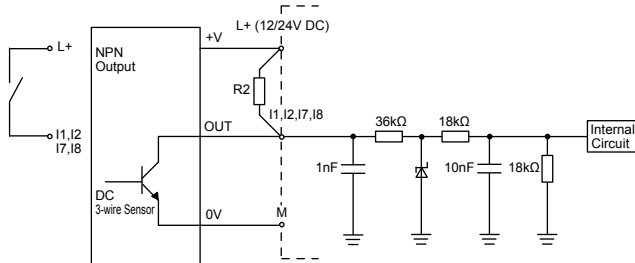
When using a NPN output sensor, connect an external resistor (I3 to I6):  
FL1F-H12SCD:

For power voltage 24V DC:  $R1 \leq 4k\Omega$ , 1/4W

FL1F-H12RCE, -B12RCE

For power voltage 24V DC:  $R1 \leq 8.1k\Omega$ , 1/4W

For power voltage 12V DC:  $R1 \leq 1.5k\Omega$ , 1/4W



I1, I2, I7 and I8 accept both digital and analog inputs.

The diagram above is for using I1, I2, I7, and I8 as digital inputs.

When using a NPN output sensor, connect an external resistor (I1, I2, I7, I8):

FL1F-H12SCD:

For power voltage 24V DC:  $R2 \leq 50k\Omega$ , 1/8W

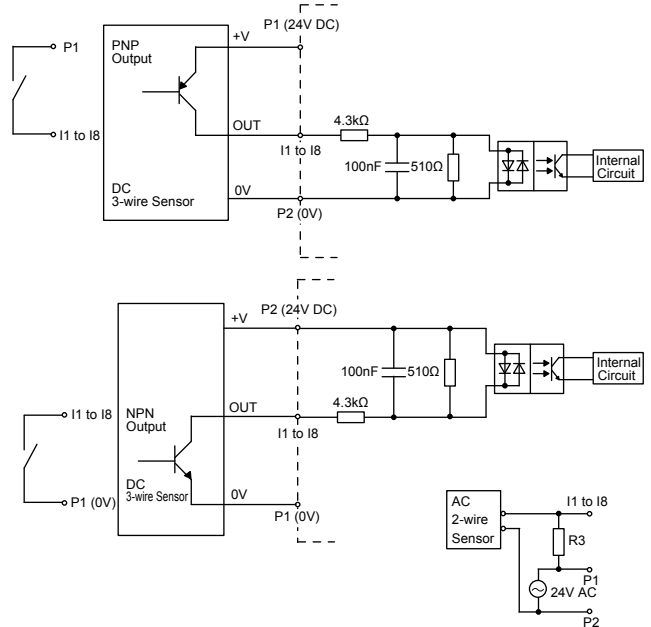
FL1F-H12RCE, -B12RCE

For power voltage 24V DC:  $R2 \leq 100k\Omega$ , 1/8W

For power voltage 12V DC:  $R2 \leq 19k\Omega$ , 1/8W

### 24V AC/DC Input

FL1F-H12RCA /-B12RCA  
FL1F-M08D2R2



Bleeder resistance (R3) calculation

R3 must satisfy the following three conditions.

$$\text{Condition 1: } R3 (\Omega) \leq \frac{\text{Maximum input OFF voltage (} = 5VAC)}{\text{Maximum sensor leakage current (A)}}$$

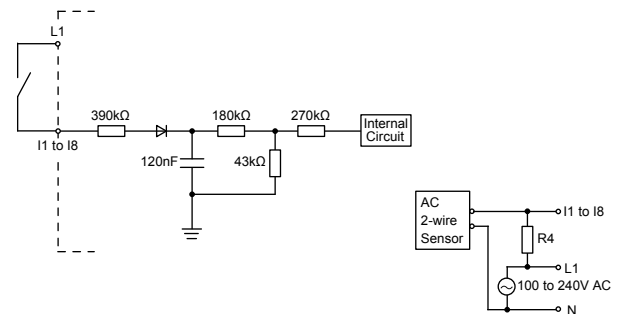
$$\text{Condition 2: } R3 (\Omega) \leq \frac{\text{Sensor power voltage (V)}}{\text{Maximum sensor load current (A)}}$$

The voltage drop across the load (R3) must be less than 5V while the sensor is turned off.

$$\text{Condition 3: } P_{R3} (W) \leq \frac{\{\text{Sensor power voltage (V)}\}^2}{R3 \text{ resistance } (\Omega)} \times 3 \text{ (3: recommended allowance)}$$

### 100 to 240V AC/DC

FL1F-H12RCC /-B12RCC  
FL1F-M08C2R2



FL1F-H12RCC/-B12RCC:  $R7=180k\Omega$ ,  $R8=47k\Omega$

FL1F-M08C2R2:  $R7=390k\Omega$ ,  $R8=62k\Omega$

Bleeder resistance (R4) calculation

R4 must satisfy the following three conditions.

$$\text{Condition 1: } R4 (\Omega) \leq \frac{\text{Maximum input OFF voltage (} = 40VAC)}{\text{Maximum sensor leakage current (A)}}$$

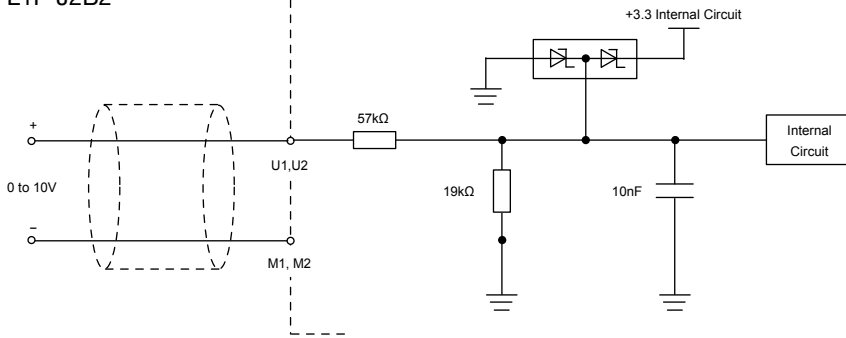
$$\text{Condition 2: } R4 (\Omega) \leq \frac{\text{Sensor power voltage (V)}}{\text{Maximum sensor load current (A)}}$$

The voltage drop across the load (R4) must be less than 40V while the sensor is turned off.

$$\text{Condition 3: } P_{R4} (W) \leq \frac{\{\text{Sensor power voltage (V)}\}^2}{R4 \text{ resistance } (\Omega)} \times 3 \text{ (3: recommended allowance)}$$

## Analog Voltage Input

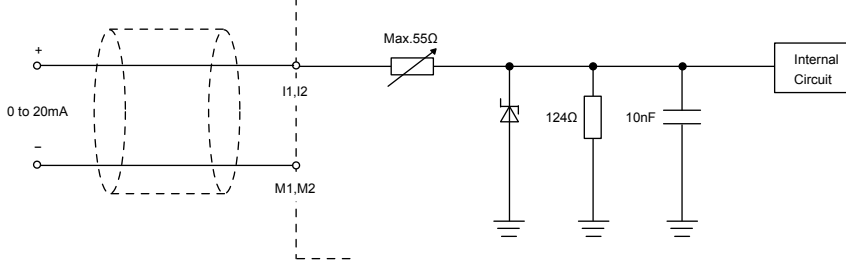
FL1F-H12SCD/-H12RCE /-B12RCE  
FL1F-J2B2



I1, I2, I7 and I8 accept both digital and analog inputs. When connecting an analog input, use a twisted pair cable, and keep the cable as short as possible.

## Analog Current Input

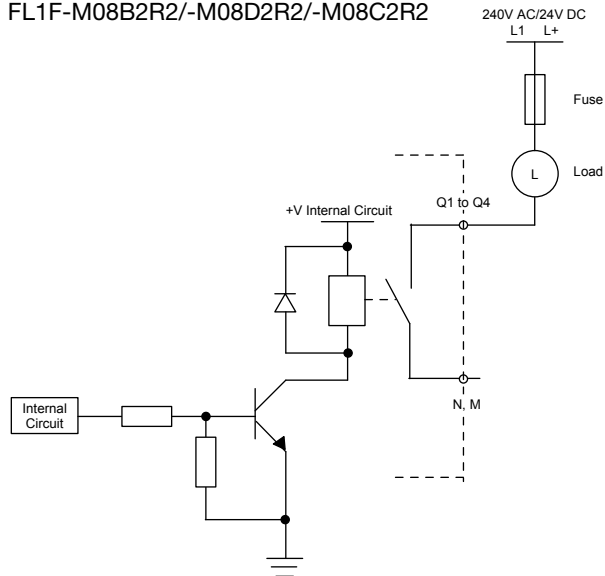
FL1F-J2B2



## Output Internal Circuits

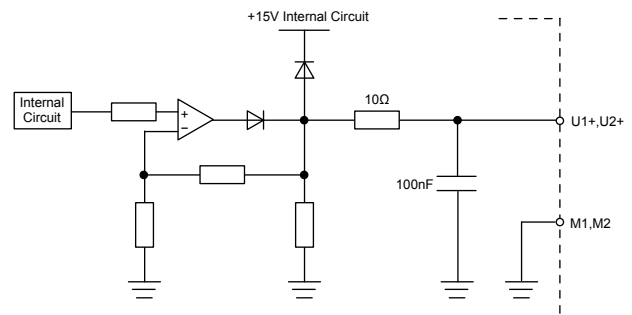
### Relay Output

FL1F-H12RCE/-B12RCE/-H12RCA/-B12RCA/-H12RCC/-B12RCC  
FL1F-M08B2R2/-M08D2R2/-M08C2R2



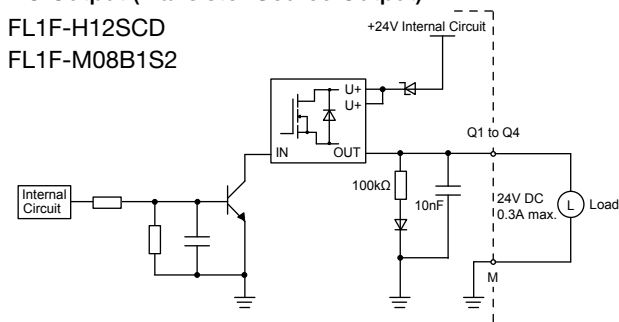
### Analog Voltage Output

FL1F-K2BM2  
(0-10V DC)



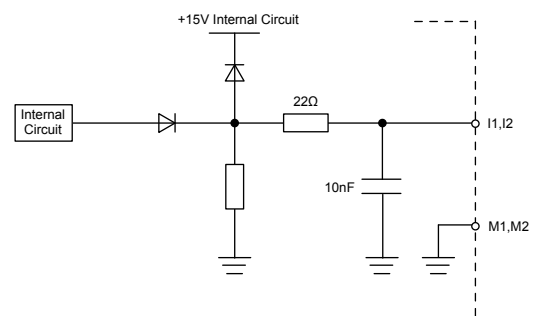
### DC Output (Transistor Source Output)

FL1F-H12SCD  
FL1F-M08B1S2



### Analog Current Output

(0-20, 4-20 mA)



When connecting to a DC input type PLC, use a negative common sink input type.

## General Function Blocks

<b>AND</b>	<p>Series connection of normally open contacts</p>	<b>NAND (Edge)</b>	<p>Edge detection with edge evaluation (pos. edge)</p>	<b>XOR</b>	<p>Double changeover contact</p>
<b>AND (Edge)</b>	<p>Edge detection with edge evaluation (pos. edge)</p>	<b>OR</b>	<p>Parallel connection of normally open contacts</p>	<b>NOT</b>	<p>Connection of closed contact</p>
<b>NAND</b>	<p>Parallel connection of normally closed contacts</p>	<b>NOR</b>	<p>Series connection of normally closed contacts</p>		

## Special Function Blocks

<b>On-delay</b>		<b>Analog differential trigger</b>		<b>Message texts</b>	
<b>Off-delay</b>		<b>Analog value monitor</b>		<b>Softkey</b>	
<b>On-/Off-delay</b>		<b>Operating hours counter</b>		<b>Analog amplifier</b>	
<b>Retentive on-delay</b>		<b>Asynchronous pulse generator</b>		<b>Shift register</b>	
<b>Latching Relay</b>		<b>Random generator</b>		<b>PI control</b>	
<b>Current impulse relay</b>		<b>Frequency trigger</b>		<b>Analog ramp control</b>	
<b>Interval time-delay relay/Pulse output</b>		<b>Analog trigger</b>		<b>Analog multiplexer</b>	
<b>Edge-triggered interval time-delay relay</b>		<b>Analog comparator</b>		<b>Pulse width modulator (PWM)</b>	
<b>Seven-day time switch</b>		<b>Stairwell light switch</b>		<b>Analog math</b>	
<b>Twelve-month time switch</b>		<b>Dual-function switch</b>		<b>Analog math error detection</b>	
<b>Up/down counter</b>		<b>NEW Max/Min</b>		<b>NEW Average value</b>	
<b>NEW Analog filter</b>		<b>NEW Stopwatch</b>			
<b>NEW Astronomical clock</b>					

## Instructions

### Module Expansion

Use the Base Module and Expansion I/O Modules up to 60 I/Os according to the combinations shown below.



1. For the terminal arrangement and wiring of the module, please be sure to read FL1F user's manual.
2. Before connecting and disconnecting modules, turn power off.
3. A maximum of 24 digital inputs, 8 analog inputs, 20 digital outputs, 8 analog outputs can be used by using a combination of a Base Module and Expansion I/O Modules.
4. When using modules of the same power voltage, supply power to the Base Module and Expansion I/O Modules using one power supply. When supplying power to the modules using different power supplies, supply power to the Base Module and Expansion I/O Module at the same time. Or, supply power to the Expansion I/O Module before the Base Module. Expansion I/O module may not be recognized if power is supplied to the Expansion I/O Module after the Base Module. When power is supplied to the modules from different power supplies, the fast transient burst is 1 kV (IEC61000-4-4).
5. A 100 to 240V AC/DC module cannot be connected to the right side of a 12/24V DC, 24V DC, or 24V AC/DC module.
6. For optimal and high-speed communication performance between Base Module and Expansion I/O Modules, install the input/output modules first, then the analog modules.
7. FL1F is pending for approval by the following marine standards (as of September 2015).
  - ABS: American Bureau of Shipping (USA)
  - BV: Bureau Verites (France)
  - DNV: Det Norske Veritas (Norway)
  - GL: Germanischer Lloyd (Germany)
  - LRS: Lloyds Register of Shipping (UK)
  - Class NK: (NIPPON KAIJI KYOKAI)
8. The following are the conditions of marine standards approval.
  - Modules of rated power voltage 12/24V AC/DC: Use at 24V DC
  - Modules of 12/24V DC and 24V DC: Use a surge protection device Part no. 918 402/918 422 made by DEHN+SÖHNE or equivalent.
  - For applications on a bridge or decks, a noise filter Part no. B84113-C-B-30 (made by TDKEPCOS) or equivalent is used (FL1F-RD1 cannot be used on a bridge or deck).
  - Contact IDEC for the environment where FL1F can be used.

### Wiring

#### Base Module and Expansion I/O Module

- Connect an IEC60127 approved fuse to the power supply for protection against overload and short circuit.
- Do not connect input wire and communication cable in parallel or near the power line, output line, or motor line. Also make sure that any noise source is not present nearby.

### Initialization after Power-up

- Initialization starts when the FL1F Base Module is powered up. When initialization is complete, the FL1F is automatically set to RUN mode. When using the FL1F Base Module with display, a timer appears on the display during the initialization. When using the FL1F without display, the red LED flashes during the initialization, then the green LED flashes after the initialization.
- Initialization time  
1.2 seconds maximum

Specifications and other descriptions in this brochure are subject to change without notice.



## IDEC CORPORATION

6-64, Nishi-Miyahara 2-Chome, Yodogawa-ku, Osaka 532-0004, Japan  
Tel: +81-6-6398-2527, Fax: +81-6-6398-2547  
E-mail: marketing@idec.co.jp

**IDEC CORPORATION (USA)**  
1175 Elko Drive, Sunnyvale, CA 94089-2209, USA  
Tel: +1-408-747-0550 / (800) 262-IDEC (4332)  
Fax: +1-408-744-9055 / (800) 635-6246  
E-mail: opencontact@idec.com

**IDEC CANADA LIMITED**  
3155 Pepper Mill Court, Unit 4  
Mississauga, Ontario, L5L 4X7, Canada  
Tel: +1-905-890-8561, Toll Free: (888) 317-IDEC (4332)  
Fax: +1-905-890-8562  
E-mail: sales@ca.idec.com

**IDEC AUSTRALIA PTY. LTD.**  
Unit 17, 104 Ferntree Gully Road,  
Oakleigh, Victoria 3166, Australia  
Tel: +61-3-8523-5900, Toll Free: 1800-68-4332  
Fax: +61-3-8523-5999  
E-mail: sales@au.idec.com

**IDEC ELECTRONICS LIMITED**  
Unit 2, Beechwood, Chineham Business Park,  
Basingstoke, Hampshire RG24 8WA, UK  
Tel: +44-1256-321000, Fax: +44-1256-327755  
E-mail: sales@uk.idec.com

**IDEC ELEKTROTECHNIK GmbH**  
Wendenstrasse 331, 20537 Hamburg, Germany  
Tel: +49-40-25 30 54 - 0, Fax: +49-40-25 30 54 - 24  
E-mail: service@idec.de

**IDEC (SHANGHAI) CORPORATION**  
Room 701-702 Chong Hing Finance Center,  
No. 288 Nanjing Road West, Shanghai 200003, PRC  
Tel: +86-21-6135-1515  
Fax: +86-21-6135-6225 / +86-21-6135-6226  
E-mail: idec@cn.idec.com

**IDEC (BEIJING) CORPORATION**  
Room 211B, Tower B, The Grand Pacific Building,  
8A Guanghua Road, Chaoyang District,  
Beijing 100026, PRC  
Tel: +86-10-6581-6131, Fax: +86-10-6581-5119

**IDEC (SHENZHEN) CORPORATION**  
Unit AB-3B2, Tian Xiang Building, Tian'an Cyber Park,  
Fu Tian District, Shenzhen, Guang Dong 518040, PRC  
Tel: +86-755-8356-2977, Fax: +86-755-8356-2944

**IDEC IZUMI (H.K.) CO., LTD.**  
Unit G & H, 26/F, MG Tower,  
No. 133 Hoi Bun Road, Kwun Tong, Kowloon,  
Hong Kong  
Tel: +852-2803-8989, Fax: +852-2565-0171  
E-mail: info@hk.idec.com

**IDEC TAIWAN CORPORATION**  
8F-1, No. 79, Hsin Tai Wu Road, Sec. 1,  
Hsi-Chih District, 22101 New Taipei City, Taiwan  
Tel: +886-2-2698-3929, Fax: +886-2-2698-3931  
E-mail: service@tw.idec.com

**IDEC IZUMI ASIA PTE. LTD.**  
No. 31, Tannery Lane #05-01,  
HB Centre 2, Singapore 347788  
Tel: +65-6746-1155, Fax: +65-6844-5995  
E-mail: info@sg.idec.com

**IDEC ASIA (THAILAND) CO., LTD.**  
20th Fl., Sorachai Bldg., No.23/78,  
Soi Sukhumvit 63, Sukhumvit Rd.,  
Klongton-nua, Wattana, Bangkok 10110  
Tel: +662-392-9765, Fax: +662-392-9768  
E-mail: sales@th.idec.com