

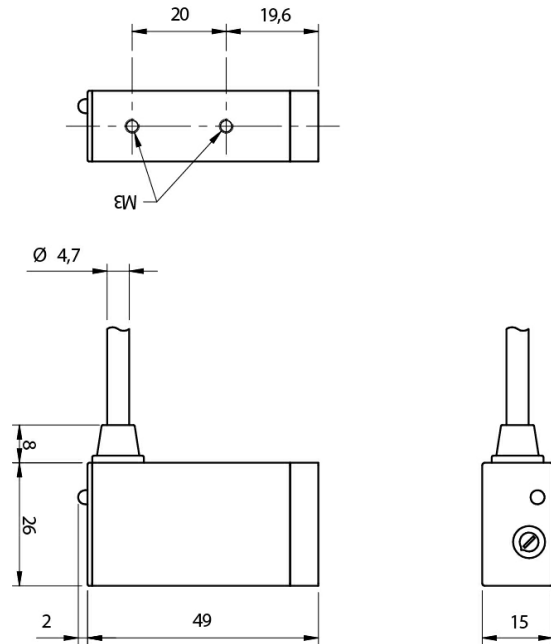
PS2/AN-0C

cubic photosensors



Micro Detectors

Italian Sensors Technology



Indicative image



Detection properties

Nominal sensing distance	100mm
Thermal drift of Sr	$\leq 10\% \text{ Sr}$
Repeat Accuracy	$\leq 5\%$
Sensitivity adjustment	1 turn trimmer

Application

Function Principle	Diffuse reflection
Optic position	Axial

Outputs

Output type	NPN
Output Function	NO
Switching frequency	100Hz

Electrical data

Operating Voltage	10-30Vdc
No-Load supply current	30mA max
Load current	≤ 100mA
Leakage current	≤ 10μA @ Vmax
Output voltage drop	1,2V max
Max ripple content	≤ 10%
LED indicators	Red (output energized)
Time delay before availability	200ms
Short-circuit protection	Yes
Reverse Polarity Protection	Yes
Emission	infrared (880nm)
Interference to external light	3000lux Incandescent Lamp, 10000lux

Mechanical data

Dimensions	15x49x26mm
Weight	90g
Connections	Right angle cable
Active Head Material	PMMA
Operating temperature	- 25°C...+ 70°C (without freeze)
Material	Housing ABS; Optic PMMA

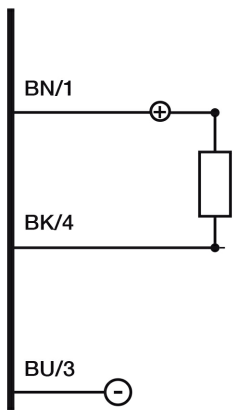
Test/Approvals

Approvals	CE
EMC compatibility	EN 60947-5-2
Shocks and vibrations	Vibration IEC 60068-2-6 / Shock IEC 60068-2-27
Degree of protection	IP65

Accessories

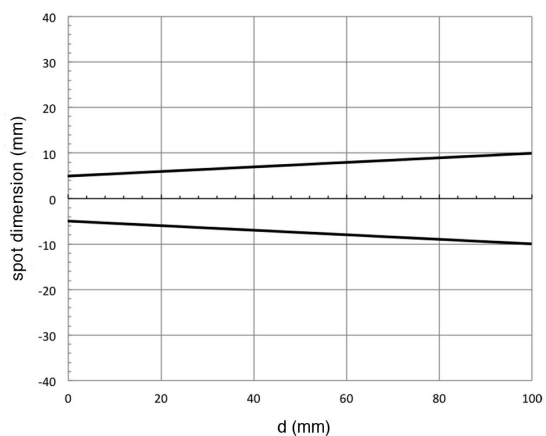
Supplied Accessories	ST07 mounting bracket and screws
----------------------	----------------------------------

ELECTRICAL DIAGRAMS OF THE CONNECTIONS

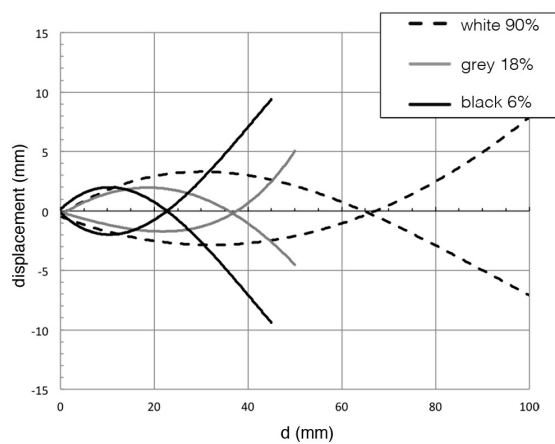


RESPONSE CURVES

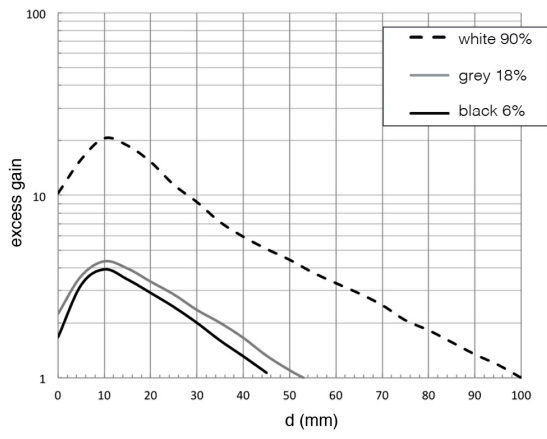
Dimensione Spot



Disassamento Parallelo



Eccesso di Guadagno



M.D.Micro Detectors S.p.A.

date of printing

08/08/2019 08:49:04